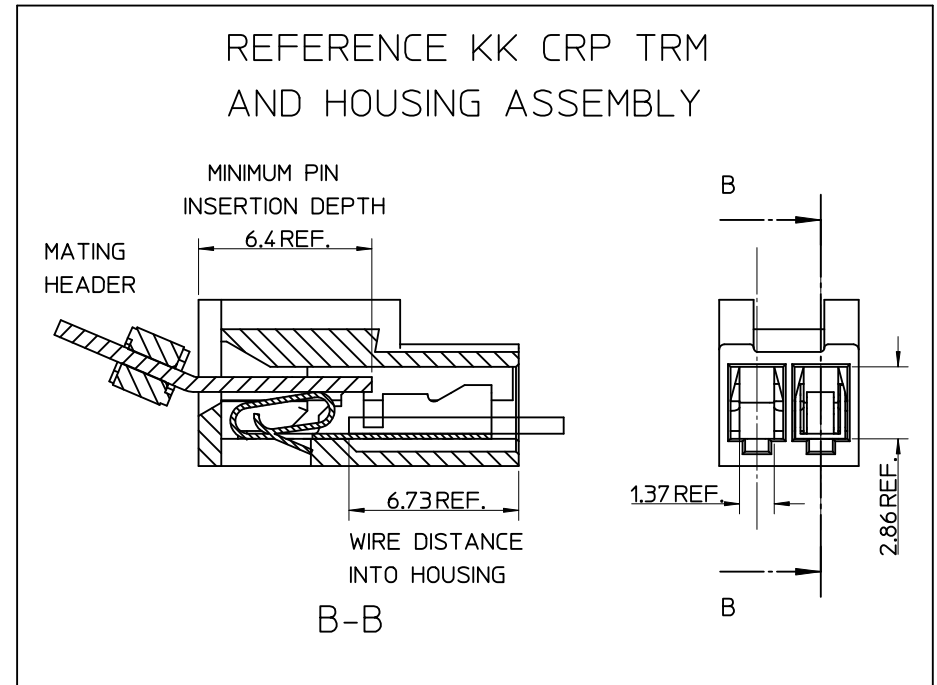


	91560
	M [] #

CIRCUIT 1 I.D.

NOTES:

1. MATERIAL: POLYAMIDE (PA66/6), UL94 V-0
COLOUR: NATURAL
2. FINISH: N/A
3. FOR PRODUCT SPECIFICATION SEE PS-91560-003
4. PACKAGING: SEE PACKAGING SPECIFICATION PK-91560-005.
5. FOR USE WITH ANTI-FISH HOOKING TERMINAL 8088-(555)L (08-65-0106).
6. THIS PART CONFORMS TO CLASS B REQUIREMENTS OF COSMETIC SPECIFICATION PS-45499-002.



REVISE NOTES EC NO: UCP2010-1407 DRWN:MKIPPER 2009/12/14 CHKD:JBELL APPR: 2009/12/17	QUALITY SYMBOLS	GENERAL TOLERANCES (UNLESS SPECIFIED)	SCALE 5:1	DESIGN UNITS METRIC	THIRD ANGLE PROJECTION	REVISE ON CAD ONLY	
	-0 -0	mm	INCH	DIMENSION STYLE		TITLE 2.54MM KK CRP TRM HSG 2CKT	
		4 PLACES	± ---	± ---	MM ONLY		
		3 PLACES	± ---	± ---	DRAWN BY		DATE
2 PLACES	± 0.15	± ---	LKIERNAN	2001/12/03	CHECKED BY	DATE	
1 PLACE	± 0.25	± ---	BMAGUIRE	2001/10/03	APPROVED BY	DATE	
		ANGULAR ± 2 °	MWILHITE	2001/10/03	MATERIAL NO.	DOCUMENT NO.	
		DRAFT WHERE APPLICABLE			915600002	SD-91560-001	
		MUST REMAIN WITHIN DIMENSIONS			SHEET NO. 1 OF 1		
					THIS DRAWING CONTAINS INFORMATION THAT IS PROPRIETARY TO MOLEX INCORPORATED AND SHOULD NOT BE USED WITHOUT WRITTEN PERMISSION		

X-ON Electronics

Largest Supplier of Electrical and Electronic Components

Click to view similar products for [Headers & Wire Housings](#) category:

Click to view products by [Molex](#) manufacturer:

Other Similar products are found below :

[892-18-020-10-001101](#) [58102-G61-06LF](#) [582553-1](#) [0009485154](#) [009176003701906](#) [0050291907](#) [LY20-4P-DT1-P1E-BR](#) [02.125.8002.8](#)
[609-3404](#) [61062-3](#) [622-0430](#) [622-3653LF](#) [63453-116](#) [636-1030](#) [636-1427](#) [636-3427](#) [636-4007](#) [641938-9](#) [641991-4](#) [644827-2](#) [65817-010LF](#)
[65817-015LF](#) [65863-015LF](#) [66207-023LF](#) [67095-007LF](#) [67601157](#) [68648-049](#) [70.362.1628.0](#) [70-4210](#) [70-4226B](#) [70-4853B](#) [707-5020](#) [707-5028](#) [71.350.2428.0](#) [71918-208LF](#) [71961-016LF](#) [733-134](#) [733-162](#) [754199-000](#) [760-3052](#) [787-8014-00](#) [79531-3000](#) [FCN-360C032-B](#) [FCN-367T-T012/H](#) [FCN-723D010/2](#) [80.063.4001.1](#) [800-90-001-10-001000](#) [800-90-010-10-002000](#) [801-43-002-10-013000](#) [801-43-006-10-002000](#)