

**PLEASE CHECK WWW.MOLEX.COM FOR LATEST PART INFORMATION**

**Part Number:** **0923162608**  
**Status:** **Active**  
**Overview:** Picoflex Ribbon-Cable Connectors  
**Description:** Picoflex PF-50 IDT-to-Board-in, 26 Circuits, 0.08m Length

**Documents:**

[3D Model](#) [Product Specification PS-99020-0011-001 \(PDF\)](#)  
[3D Model \(PDF\)](#) [RoHS Certificate of Compliance \(PDF\)](#)  
[Drawing \(PDF\)](#)

**Application tooling part link**

Application Tooling Part Link 62100-6000  
Application Tooling Part Link 62100-6010

**General**

Product Family Cable Assemblies  
Series 92316  
Assembly Configuration Dual Ended Connectors  
Connector to Connector Picoflex PCB-to-IDT  
Overview Picoflex Ribbon-Cable Connectors  
Product Name Picoflex  
UPC 800754824040

**Physical**

Cable Length 0.08m  
Circuits (Loaded) 26  
Color - Resin Natural  
Gender Female-Female  
Lock to Mating Part None  
Material - Metal Phosphor Bronze  
Material - Plating Mating Tin  
Material - Plating Termination Tin  
Material - Resin Polyester  
Net Weight 3.163/g  
Number of Rows 2  
Packaging Type Bag  
Pitch - Mating Interface 1.27mm  
Plating min - Mating 2.032µm  
Plating min - Termination 2.032µm  
Single Ended No  
Termination Interface: Style IDT or Pierce, Through Hole - Kinked Pin  
Waterproof / Dustproof No  
Wire Insulation Diameter N/A  
Wire Size AWG 28  
Wire/Cable Type PVC, Ribbon Cable

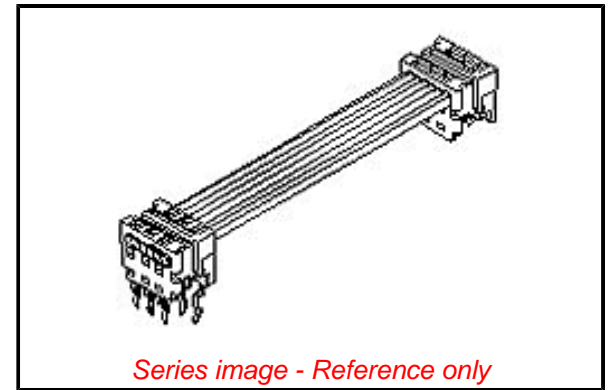
**Electrical**

Current - Maximum per Contact 1.2A  
Shielded No  
Voltage - Maximum 250V

**Material Info**

**Reference - Drawing Numbers**

Product Specification PS-99020-0011-001  
Sales Drawing SD-92316-001-001



Series image - Reference only

**EU ELV**

**Not Relevant**

**EU RoHS**

**Compliant**

**REACH SVHC**

Not Contained Per -  
D(2021)4569-DC (8  
July 2021)

**Halogen-Free**

**Status**

**Not Low-Halogen**

For more information, please visit [Contact US](#)

China ROHS

ELV

RoHS Phthalates

**China RoHS**

Green Image

Not Relevant

Not Contained

**Search Parts in this Series**

92316 Series

**Mates With**

Picoflex PF-50 Header 90325 , 90800 ,  
90779 , 90715 , 90814

**Application Tooling | FAQ**

*Tooling specifications and manuals are found by selecting the products below. Crimp Height Specifications are then contained in the Application Tooling Specification document.*

**Global**

**Description**

**Product #**

Extractor Tool for 621006000  
Connectors

This document was generated on 12/14/2021

**PLEASE CHECK [WWW.MOLEX.COM](http://WWW.MOLEX.COM) FOR LATEST PART INFORMATION**

## X-ON Electronics

Largest Supplier of Electrical and Electronic Components

*Click to view similar products for [Ribbon Cables / IDC Cables](#) category:*

*Click to view products by [Molex](#) manufacturer:*

Other Similar products are found below :

[FSK-12A](#) [EHJ3C](#) [EHJ4C](#) [cab-LVDV-PWR-10-15](#) [FSP-25A](#) [3365/15 \(100FT\)](#) [cab-LVDV-DAT-34-15](#) [49635-C62-S2](#) [1-3636-600-5204](#)  
[92315-1408](#) [426171120-3](#) [3625/08 \(100M\)](#) [0044704](#) [2-1589735-3](#) [JSM015PP2DCC23N](#) [92301-0283](#) [ACL-eSSI-2](#) [92301-0718](#) [MMSDT-06-](#)  
[20-S-05.5-D-K-LDX](#) [IDD-04-G](#) [NM-2J2-051-PS1-JJAB](#) [1700/14SF \(100FT\)](#) [1700/26SF \(100FT\)](#) [1700/34SF \(100FT\)](#) [3801/09 \(100FT\)](#) [119-](#)  
[885](#) [DS1057-06A282R-30.5](#) [DS1057-09A282R-30.5](#) [DS1057-12A282R-30.5](#) [DS1057-14A282R-76.5](#) [DS1057-20A282R-76.5](#) [DS1057-](#)  
[30A282R-76.5](#) [DS1057-34A282R-76.5](#) [DS1057-40A282R-76.5](#) [DS1057-60A282R-76.5](#) [DS1057-64A282R-76.5](#) [DS1058-08M28-30.5](#)  
[DS1058-30M28-30.5](#) [3750/10 \(100FT\)](#) [0015712](#) [0015905](#) [S30109](#) [11203](#) [11223](#) [11243](#) [11262](#) [0037147](#) [0022512](#) [0022412](#) [0022416](#)