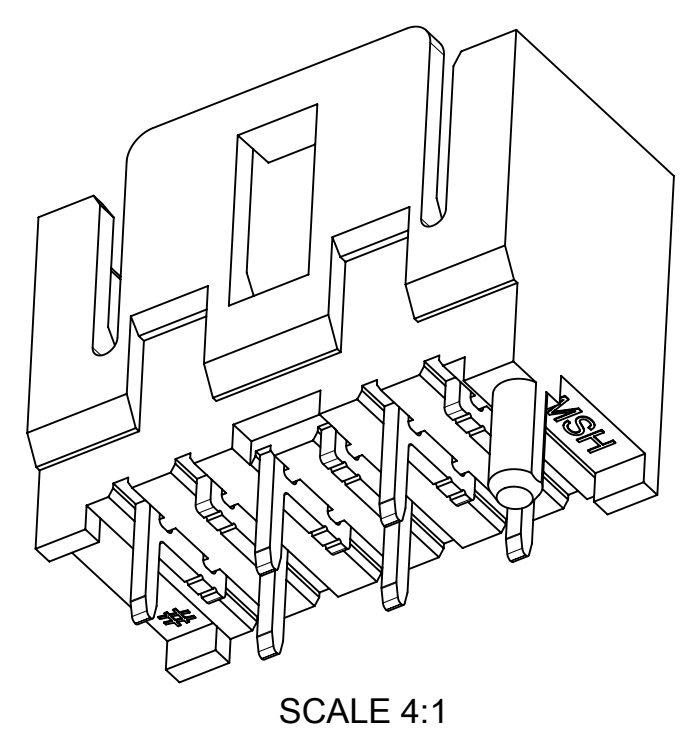
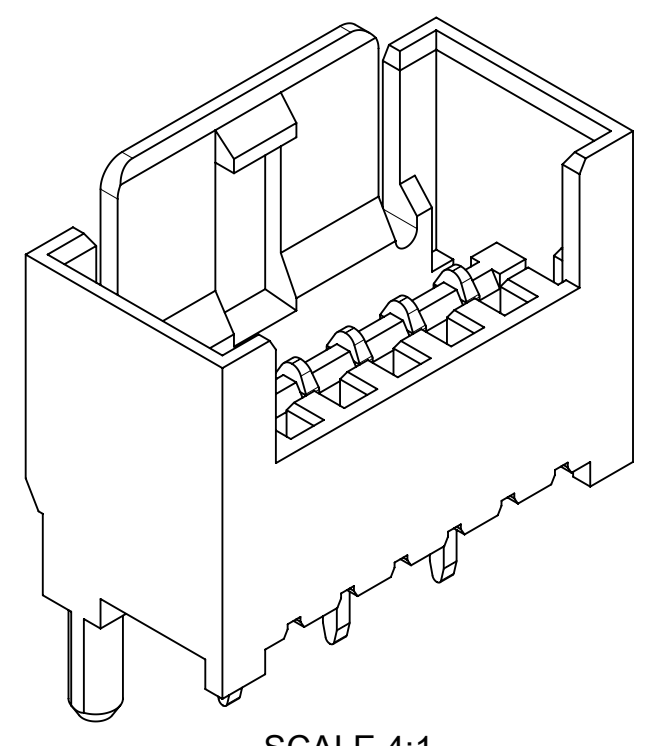
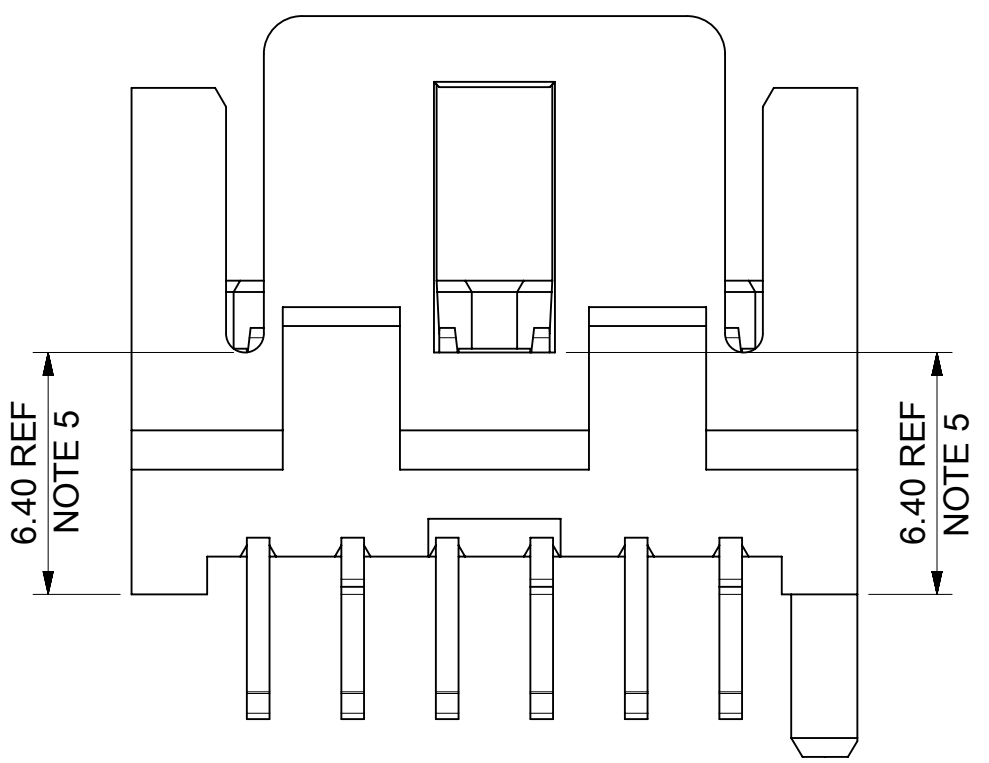
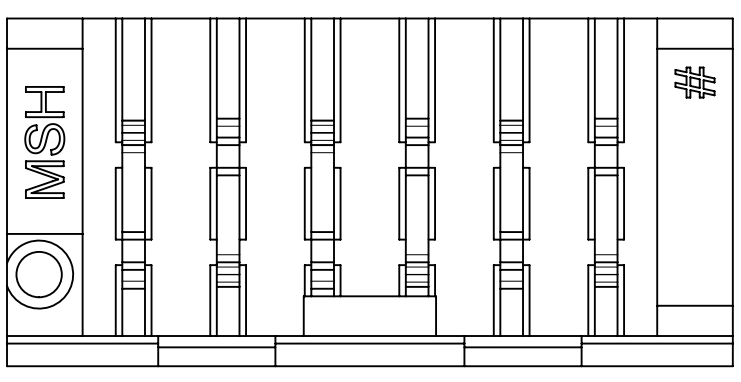
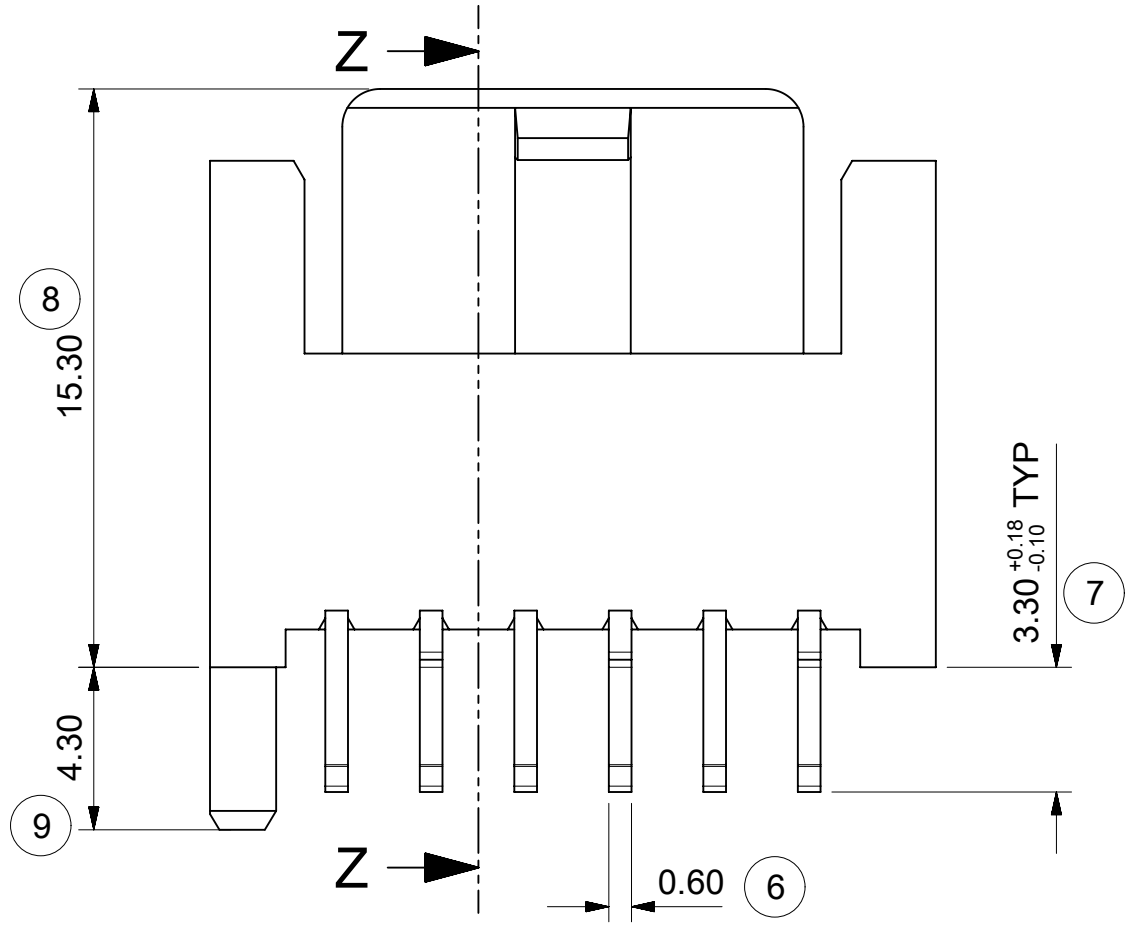
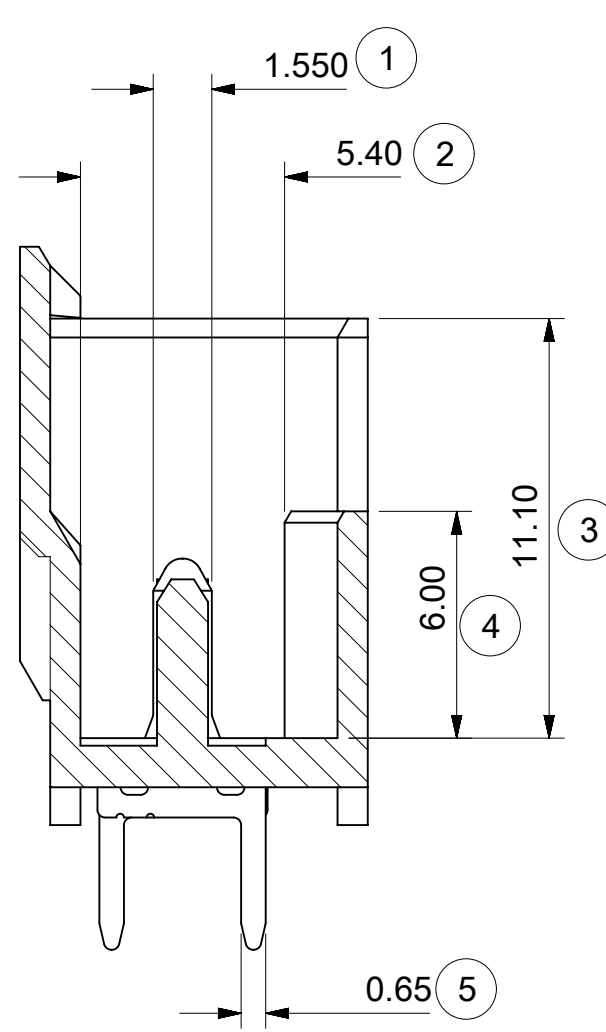
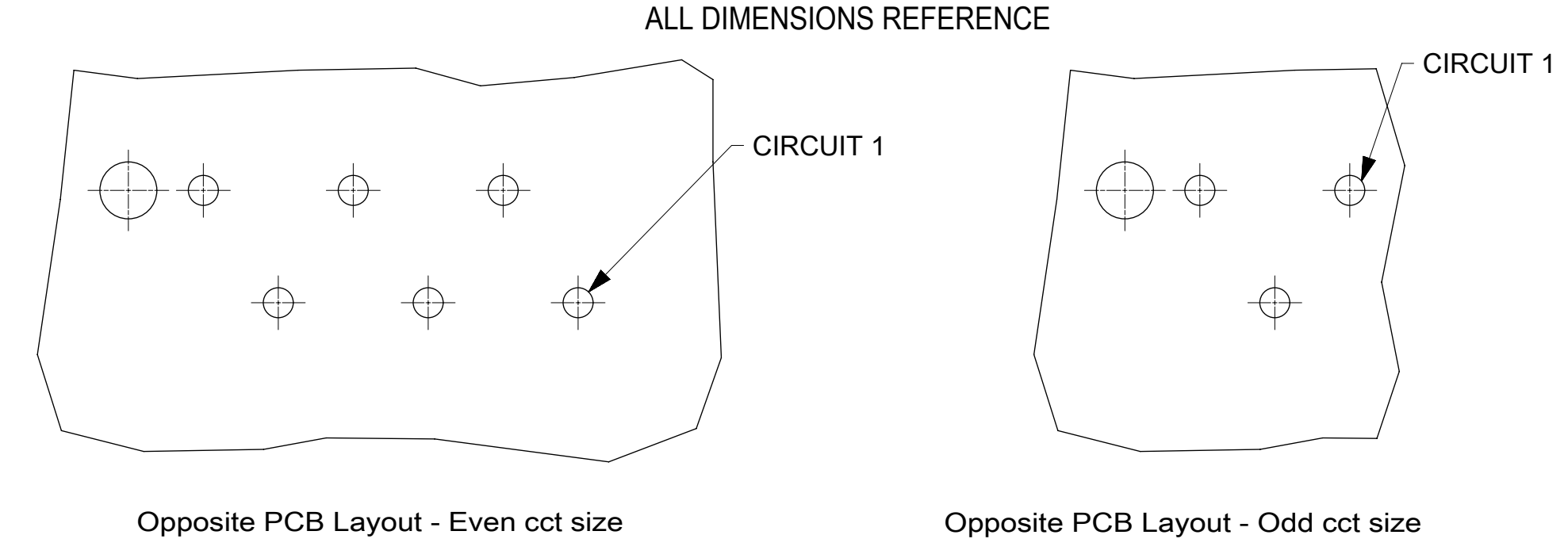
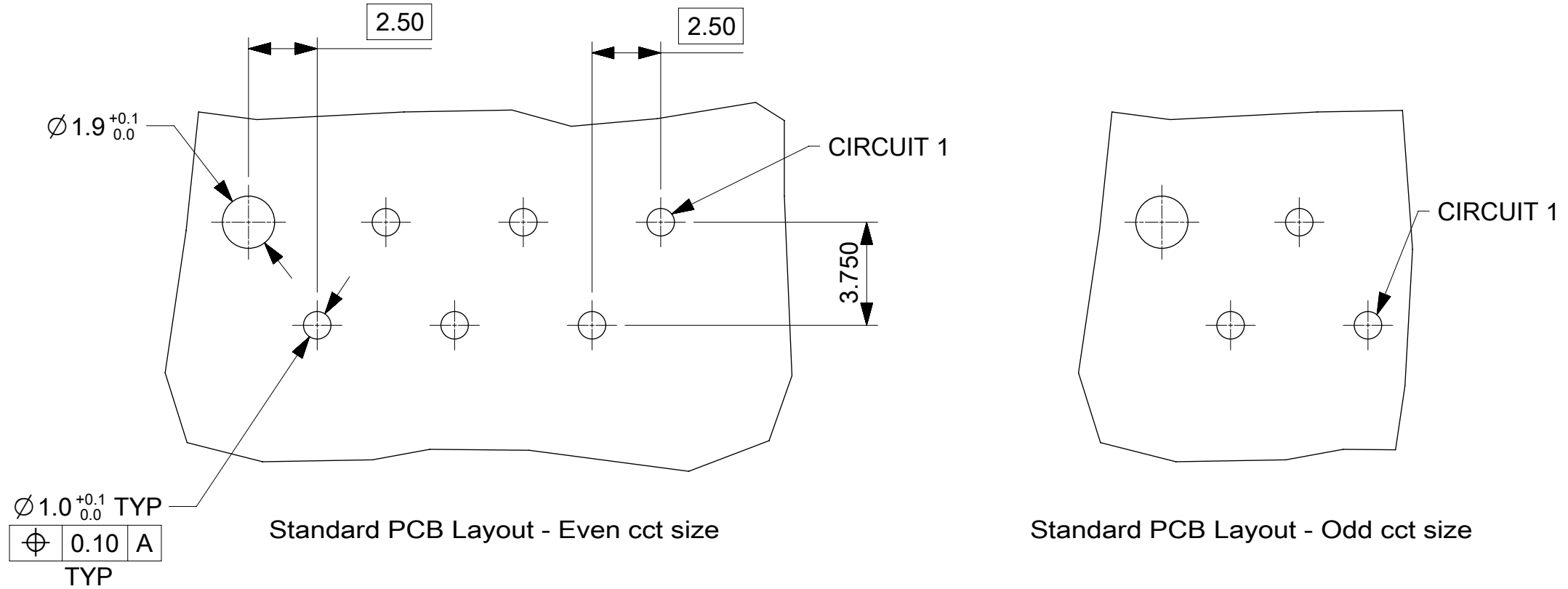
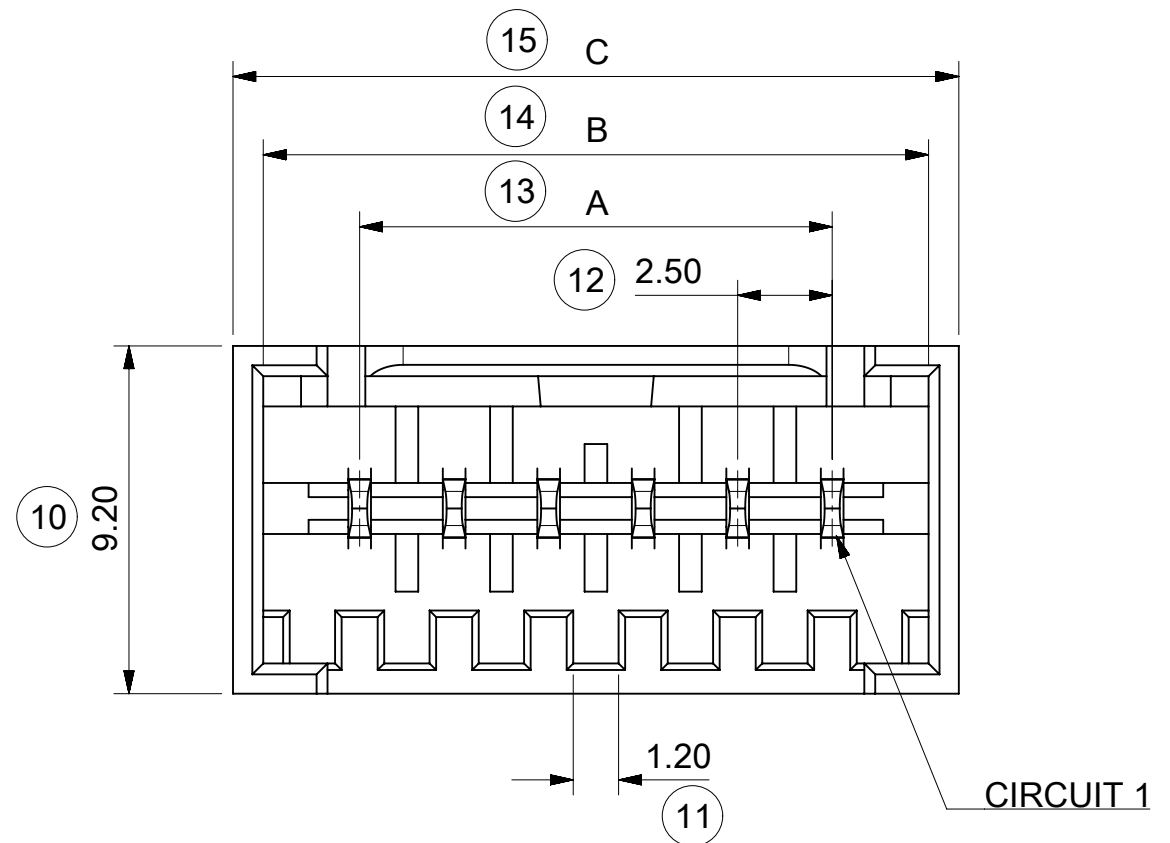
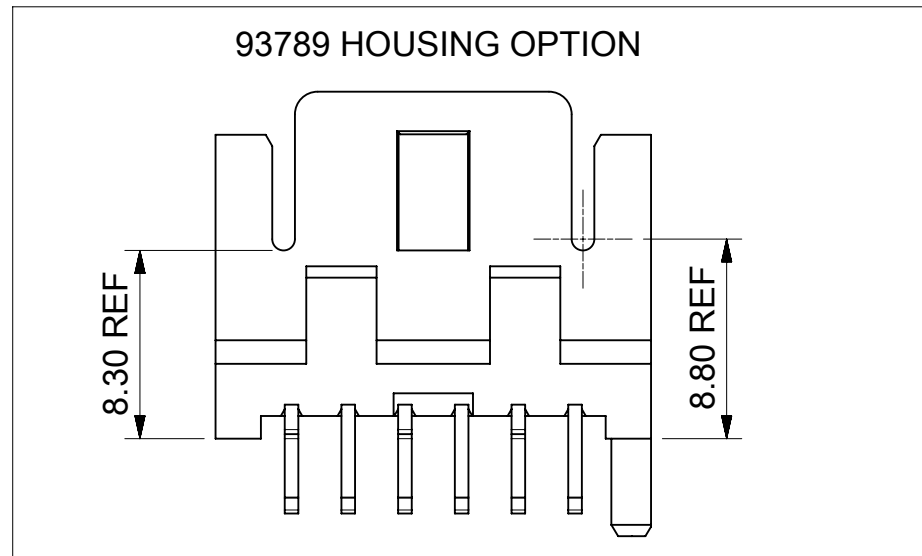


CCT	A	B	C
3	5.00	10.10	11.70
4	7.50	12.60	14.20
5	10.00	15.10	16.70
6	12.50	17.60	19.20
7	15.00	20.10	21.70
8	17.50	22.60	24.20
9	20.00	25.10	26.70
10	22.50	27.60	29.20
11	25.00	30.10	31.70
12	27.50	32.60	34.20
13	30.00	35.10	36.70
14	32.50	37.60	39.20
15	35.00	40.10	41.70



- NOTES:
- MATERIAL: HOUSING - PA66 25% G/F, UL94 V-0
COLOUR: SEE CHARTS
TERMINAL - BRASS
PLATING - 3-7 μ m Sn over 1.27 μ m Min Ni
 - PARTS PACKED AS PER PK-90370-001
 - PRODUCT SPECIFICATION: PS-93070-001
 - RECOMMENDED PCB THICKNESS: 1.5 \pm 0.14mm
 - LOWEST OPENING POINT TO ALLOW FOR PCB POTTING.
 - FOR COSMETIC ACCEPTANCE CRITERIA SEE WI 1643

LAST INSPECTION NUMBER: 15



THIS DRAWING CONTAINS INFORMATION THAT IS PROPRIETARY TO MOLEX ELECTRONIC TECHNOLOGIES, LLC AND SHOULD NOT BE USED WITHOUT WRITTEN PERMISSION									
DIMENSION UNITS		SCALE		CURRENT REV DESC: ADDED NEW P/N'S					
mm		5:1		SHT2					
GENERAL TOLERANCES (UNLESS SPECIFIED)				EC NO: 175438					
ANGULAR TOL \pm 2.0°				4 PLACES \pm		DRWN: AKABADI		2018/04/26	
3 PLACES \pm 0.05				3 PLACES \pm 0.1		CHK'D: CFISHER01		2018/05/24	
2 PLACES \pm 0.2				1 PLACE \pm 0.2		APPR: BRUTTLE		2018/05/25	
0 PLACES \pm				INITIAL REVISION:		DRWN: CRAODOREMS			
DRAFT WHERE APPLICABLE MUST REMAIN WITHIN DIMENSIONS				THIRD ANGLE PROJECTION		DRAWING		SERIES	
				A2-SIZE		93231		2017/10/04	
				APPR: BRUTTLE		2017/11/22		2017/11/22	
DOCUMENT NUMBER			DOC TYPE			DOC PART			REVISION
932310001			PSD			000			D
MATERIAL NUMBER		CUSTOMER		SHEET NUMBER					
SEE SHEETS 2-4		GENERAL MARKET		1 OF 4					

3 CIRCUIT						
MOLEX PART NO.	HOUSING PART NO.	BLOCKED POSITION KEYS	TERMINAL VOID POSITION	CONFIGURATION	CCT 1 LOCATION	HOUSING COLOUR
93231-0001	93230-0001	NONE	NONE		STANDARD	NATURAL
93231-0002	93230-0002	d	NONE		STANDARD	NATURAL
93231-0251	93230-0251	a	NONE		STANDARD	BLACK
93231-0351	93230-0001	NONE	NONE		OPP CCT 1	NATURAL
93231-0003	93230-0003	c	NONE		STANDARD	NATURAL
93231-0004	93230-0004	d	NONE		STANDARD	BLACK
93231-0005	93230-0005	c	NONE		STANDARD	BLACK
93231-0006	93230-0006	NONE	NONE		STANDARD	BLACK
93231-0007	93789-0001	d	NONE		STANDARD	NATURAL

4 CIRCUIT						
MOLEX PART NO.	HOUSING PART NO.	BLOCKED POSITION KEYS	TERMINAL VOID POSITION	CONFIGURATION	CCT 1 LOCATION	HOUSING COLOUR
93231-0501	93230-0501	NONE	NONE		STANDARD	NATURAL
93231-0701	93230-0701	NONE	NONE		STANDARD	GREEN
93231-0502	93230-0507	b c	NONE		STANDARD	NATURAL
93231-0702	93230-0702	NONE	NONE		STANDARD	RED
93231-0503	93230-0508	d e	NONE		STANDARD	NATURAL
93231-0504	93230-0504	b	NONE		STANDARD	NATURAL

5 CIRCUIT						
MOLEX PART NO.	HOUSING PART NO.	BLOCKED POSITION KEYS	TERMINAL VOID POSITION	CONFIGURATION	CCT 1 LOCATION	HOUSING COLOUR
93231-1001	93230-1001	NONE	NONE		STANDARD	NATURAL
93231-1002	93230-1002	c d	NONE		STANDARD	NATURAL
93231-1003	93230-1005	b c d	NONE		STANDARD	NATURAL
93231-1004	93789-1005	b c d	NONE		STANDARD	NATURAL

NOTES:

- DENOTES TERMINAL VOIDED POSITION
 DENOTES TERMINAL LOADED POSITION
- HOUSING NUMBER IS FOR MOLEX REFERENCE ONLY.

6 CIRCUIT							
MOLEX PART NO.	HOUSING PART NO.	HOUSING LATCH	BLOCKED POSITION KEYS	TERMINAL VOID POSITION	CONFIGURATION	CCT 1 LOCATION	HOUSING COLOUR
93231-1501	93230-1501	YES	NONE	NONE		STANDARD	NATURAL
93231-1701	93230-1701	YES	NONE	NONE		STANDARD	RED
93231-1702	93230-1702	YES	c e g	NONE		STANDARD	RED
93231-1703	93230-1703	YES	d f	NONE		STANDARD	BLACK
93231-1502	93230-1601	YES	NONE	CKT 2 & 4		STANDARD	NATURAL
93231-1503	93230-1602	YES	NONE	CKT 2 & 5		STANDARD	NATURAL
93231-1704	93230-1704	YES	c e g	CKT 2 & 5		STANDARD	RED
93231-1705	93230-1705	NO	NONE	NONE		STANDARD	NATURAL
93231-1706	93230-1706	YES	c e g	NONE		STANDARD	NATURAL

THIS DRAWING CONTAINS INFORMATION THAT IS PROPRIETARY TO MOLEX ELECTRONIC TECHNOLOGIES, LLC AND SHOULD NOT BE USED WITHOUT WRITTEN PERMISSION									
DIMENSION UNITS	SCALE	CURRENT REV DESC: ADDED NEW P/N'S							
mm	5:1	SHT2							
GENERAL TOLERANCES (UNLESS SPECIFIED)		EC NO: 175438			RAST 2.5 APPLI-MATE VERTICAL MALE HEADER				
ANGULAR TOL	± 2.0°	DRWN: AKABADI 2018/04/26							
4 PLACES	±	CHK'D: CFISHER01 2018/05/24			RESTRICTED PRODUCT CUSTOMER DRAWING				
3 PLACES	± 0.05	APPR: BRUTTLE 2018/05/25							
2 PLACES	± 0.1	INITIAL REVISION:			DOCUMENT NUMBER: 932310001				
1 PLACE	± 0.2	DRWN: CRAODOREMS 2017/10/04							
0 PLACES	±	APPR: BRUTTLE 2017/11/22			DOC TYPE: PSD DOC PART: 000 REVISION: D				
DRAFT WHERE APPLICABLE MUST REMAIN WITHIN DIMENSIONS		THIRD ANGLE PROJECTION	DRAWING	SERIES					
			A2-SIZE	93231	SEE SHEETS 2-4		GENERAL MARKET		2 OF 4

7 CIRCUIT						
MOLEX PART NO.	HOUSING PART NO.	BLOCKED POSITION KEYS	TERMINAL VOID POSITION	CONFIGURATION	CCT 1 LOCATION	HOUSING COLOUR
93231-2001	93230-2001	NONE	NONE		STANDARD	NATURAL
93231-2201	93230-2201	NONE	NONE		STANDARD	BLACK
93231-2007	93230-2003	a	NONE		STANDARD	NATURAL
93231-2207	93230-2203	a	NONE		STANDARD	BLACK
93231-2002	93230-2102	NONE	CKT 2		STANDARD	NATURAL
93231-2003	93230-2205	a	CKT 4		STANDARD	RED
93231-2004	93230-2004	b c d e f	NONE		STANDARD	NATURAL

8 CIRCUIT						
MOLEX PART NO.	HOUSING PART NO.	BLOCKED POSITION KEYS	TERMINAL VOID POSITION	CONFIGURATION	CCT 1 LOCATION	HOUSING COLOUR
93231-2501	93230-2501	NONE	NONE		STANDARD	NATURAL
93231-2701	93230-2701	NONE	NONE		STANDARD	BLUE
93231-2504	93230-2503	b c d h i	NONE		STANDARD	NATURAL
93231-2704	93230-2703	b c d h i	NONE		STANDARD	BLUE
93231-2505	93230-2504	c h i	NONE		STANDARD	NATURAL
93231-2705	93230-2704	c h i	NONE		STANDARD	BLUE
93231-2506	93230-2505	c f h i	NONE		STANDARD	NATURAL
93231-2706	93230-2705	c h i	NONE		STANDARD	RED
93231-2507	93230-2506	NONE	CKT 2		STANDARD	NATURAL

NOTES:

- DENOTES TERMINAL VOIDED POSITION
 DENOTES TERMINAL LOADED POSITION
- HOUSING NUMBER IS FOR MOLEX REFERENCE ONLY.

9 CIRCUIT						
MOLEX PART NO.	HOUSING PART NO.	BLOCKED POSITION KEYS	TERMINAL VOID POSITION	CONFIGURATION	CCT 1 LOCATION	HOUSING COLOUR
93231-3001	93230-3001	NONE	NONE		STANDARD	NATURAL
93231-3002	93230-3102	NONE	CKT 7		STANDARD	NATURAL
93231-3003	93230-3002	b c d e f g h i	NONE		STANDARD	NATURAL

10 CIRCUIT						
MOLEX PART NO.	HOUSING PART NO.	BLOCKED POSITION KEYS	TERMINAL VOID POSITION	CONFIGURATION	CCT 1 LOCATION	HOUSING COLOUR
93231-3501	93230-3501	NONE	NONE		STANDARD	NATURAL
93231-3502	93230-3601	NONE	CKT 2, 5 & 9		STANDARD	NATURAL
93231-3503	93230-3602	NONE	CKT 2, 6 & 9		STANDARD	NATURAL
93231-3504	93230-3603	NONE	CKT 4 & 7		STANDARD	NATURAL

THIS DRAWING CONTAINS INFORMATION THAT IS PROPRIETARY TO MOLEX ELECTRONIC TECHNOLOGIES, LLC AND SHOULD NOT BE USED WITHOUT WRITTEN PERMISSION									
DIMENSION UNITS	SCALE	CURRENT REV DESC: ADDED NEW P/N'S							
mm	5:1	SHT2							
GENERAL TOLERANCES (UNLESS SPECIFIED)		EC NO: 175438			RAST 2.5 APPLI-MATE VERTICAL MALE HEADER				
ANGULAR TOL	± 2.0°	DRWN: AKABADI 2018/04/26							
4 PLACES	±	CHK'D: CFISHER01 2018/05/24			RESTRICTED PRODUCT CUSTOMER DRAWING				
3 PLACES	± 0.05	APPR: BRUTTLE 2018/05/25							
2 PLACES	± 0.1	INITIAL REVISION:			DOCUMENT NUMBER				
1 PLACE	± 0.2	DRWN: CRAODOREMS 2017/10/04							
0 PLACES	±	APPR: BRUTTLE 2017/11/22			932310001				
DRAFT WHERE APPLICABLE MUST REMAIN WITHIN DIMENSIONS		THIRD ANGLE PROJECTION	DRAWING	SERIES					
			A2-SIZE	93231	SEE SHEETS 2-4	GENERAL MARKET	PSD	000	D
									SHEET NUMBER
									3 OF 4

X-ON Electronics

Largest Supplier of Electrical and Electronic Components

Click to view similar products for [Headers & Wire Housings](#) category:

Click to view products by [Molex](#) manufacturer:

Other Similar products are found below :

[892-18-020-10-001101](#) [58102-G61-06LF](#) [582553-1](#) [0009485154](#) [009176003701906](#) [0050291907](#) [LY20-4P-DT1-P1E-BR](#) [02.125.8002.8](#)
[609-3404](#) [61062-3](#) [622-0430](#) [622-3653LF](#) [63453-116](#) [636-1030](#) [636-1427](#) [636-3427](#) [636-4007](#) [641938-9](#) [641991-4](#) [644827-2](#) [65817-010LF](#)
[65817-015LF](#) [65863-015LF](#) [66207-023LF](#) [67095-007LF](#) [67601157](#) [68648-049](#) [70.362.1628.0](#) [70-4210](#) [70-4226B](#) [70-4853B](#) [707-5020](#) [707-5028](#) [71.350.2428.0](#) [71918-208LF](#) [71961-016LF](#) [733-134](#) [733-162](#) [754199-000](#) [760-3052](#) [787-8014-00](#) [79531-3000](#) [FCN-360C032-B](#) [FCN-367T-T012/H](#) [FCN-723D010/2](#) [80.063.4001.1](#) [800-90-001-10-001000](#) [800-90-010-10-002000](#) [801-43-002-10-013000](#) [801-43-006-10-002000](#)