

**PLEASE CHECK WWW.MOLEX.COM FOR LATEST PART INFORMATION**

**Part Number:** [0940303891](#)  
**Status:** **Active**  
**Overview:** Standard Quick-Disconnect Terminals  
**Description:** Quick Disconnect, Female, for (0.50-1.00mm<sup>2</sup>) 18-20 AWG Wire, Accepts 6.35 x 0.81mm Tab

**Documents:**

[Drawing \(PDF\)](#) [Product Specification PS-94030-002-001 \(PDF\)](#)  
[Product Specification PS-94030-001-001 \(PDF\)](#) [RoHS Certificate of Compliance \(PDF\)](#)

**General**

Product Family	Quick Disconnects
Series	<a href="#">94030</a>
Crimp Quality Equipment	Yes
Insulated	No
Overview	<a href="#">Standard Quick-Disconnect Terminals</a>
Product Name	N/A
Type	Quick Disconnect
UPC	800754324861

**Physical**

Barrel Type	Open
Gender	Female
Glow-Wire Capable	No
Insulation	None
Lock to Mating Part	None
Material - Metal	Brass
Material - Plating Mating	Tin
Net Weight	0.560/g
Orientation	Straight
Packaging Type	Reel
Plating min - Mating	2.032µm
Polarized to Mating Part	Yes
Tab Thickness	0.81mm
Tab Width	6.35mm
Temperature Range - Operating	80°C
Wire Insulation Diameter	2.00-3.30mm
Wire Size AWG	18, 20
Wire Size mm <sup>2</sup>	0.50-1.00

**Electrical**

Voltage - Maximum	250V
-------------------	------

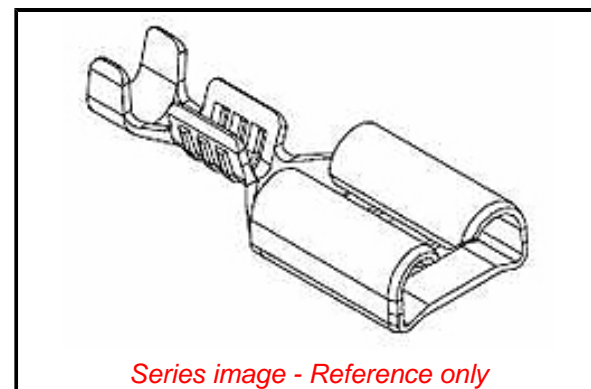
**Solder Process Data**

Lead-free Process Capability	N/A
------------------------------	-----

**Material Info**

**Reference - Drawing Numbers**

Product Specification	PS-94030-001-001, PS-94030-002-001
Sales Drawing	94030-389X-SD



*Series image - Reference only*

**EU ELV**

**Compliant**

**EU RoHS**

**Compliant**

**REACH SVHC**

Not Contained Per -  
ED/61/2018 (27 June  
2018)

**Halogen-Free**

**Status**

**Low-Halogen**

**Need more information on product environmental compliance?**

Email [productcompliance@molex.com](mailto:productcompliance@molex.com)  
Please visit the [Contact Us](#) section for any non-product compliance questions.

China ROHS	Green Image
ELV	Compliant
Prop65	Compliant
RoHS Phthalates	Not Contained

**Search Parts in this Series**

[94030](#) Series

**Use With**

[94090-4080](#) , [94090-4100](#) , [94090-4120](#) ,  
[94090-4140](#) , [94090-4150](#) , [94090-4170](#) ,  
[94090-4180](#) , [94090-4200](#) , [94503-0200](#) ,  
[94503-0210](#) , [94503-0800](#)

## X-ON Electronics

Largest Supplier of Electrical and Electronic Components

*Click to view similar products for [Terminals](#) category:*

*Click to view products by [Molex](#) manufacturer:*

Other Similar products are found below :

[00-054007-01074-6](#) [00-054007-70206-1](#) [00-054007-70210-8](#) [00-054007-70217-7](#) [00-054007-70226-9](#) [00-054007-70228-3](#) [00-054007-70248-1](#) [00-054007-70256-6](#) [00-054007-70301-3](#) [00-054007-70316-7](#) [0-0320562-0](#) [00-054007-49560-4](#) [00-054007-70209-2](#) [00-054007-70225-2](#) [00-054007-70227-6](#) [00-054007-70231-3](#) [00-054007-70241-2](#) [00-054007-70242-9](#) [00-054007-70244-3](#) [00-054007-70246-7](#) [00-054007-70263-4](#) [00-054007-70288-7](#) [00-054007-70290-0](#) [00-054007-70300-6](#) [00-054007-70304-4](#) [01-2065-1-0216](#) [01-2900-1-04412](#) [00581P0075](#) [600TS-10](#) [60205-1](#) [604200-1](#) [605601-1](#) [60598-1-CUT-TAPE](#) [61314-6-C](#) [61810-3](#) [61-S](#) [61-SN](#) [626-0194](#) [62-NBM-A](#) [62-SN](#) [62-SP](#) [640179-1](#) [M55155/059I03](#) [M55155/079C01](#) [M55155/099H02](#) [M55155/109H01](#) [M55155/109H02](#) [M55155/12XH05](#) [M55155/16XH02](#) [M55155/29-5S](#)