

PLEASE CHECK WWW.MOLEX.COM FOR LATEST PART INFORMATION

Part Number: [0940904160](#)
Status: **Active**
Overview: Standard Quick-Disconnect Terminals
Description: 10.70mm Pitch Quick Disconnect Housing, accepts 6.35mm x 0.81mm Male Tab Terminal, 1020 AWG Wire, , 4 Circuits

Documents:

[3D Model](#) [Product Specification PS-94090-001 \(PDF\)](#)
[Drawing \(PDF\)](#) [RoHS Certificate of Compliance \(PDF\)](#)

General

Product Family	Crimp Housings
Series	94090
Application	Power, Wire-to-Wire
Overview	Standard Quick-Disconnect Terminals
Product Name	Quick Disconnect
UPC	800754328326

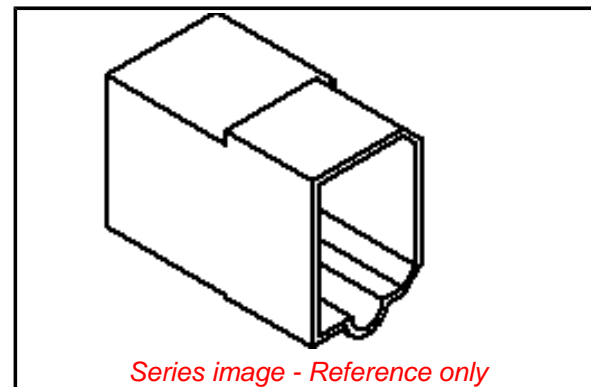
Physical

Breakaway	No
Circuits (maximum)	4
Color - Resin	White
Gender	Male
Glow-Wire Compliant	No
Lock to Mating Part	None
Material - Resin	Nylon
Net Weight	3.660/g
Number of Rows	2
Packaging Type	Bag
Panel Mount	No
Pitch - Mating Interface	10.70mm
Pitch - Termination Interface	10.70mm
Polarized to Mating Part	Yes
Temperature Range - Operating	-40°C to +105°C

Material Info

Reference - Drawing Numbers

Product Specification	PS-94090-001
Sales Drawing	SD-94090-024



EU ELV

Compliant

EU RoHS

Compliant

REACH SVHC

Not Contained Per -
ED/108/2014 (17 Dec
2014)

Halogen-Free

Status

Not Relevant

**Need more information on product
environmental compliance?**

Email productcompliance@molex.com
Please visit the [Contact Us](#) section for any
non-product compliance questions.

China ROHS
ELV

Not Relevant
Compliant

Search Parts in this Series

[94090 Series](#)

Mates With

[940904140](#)

Use With

[94030-407*](#)|[94030-408*](#)|[94030-409*](#)|
[94030-743*](#)|[94030-744*](#)|[94030-745*](#)

X-ON Electronics

Largest Supplier of Electrical and Electronic Components

Click to view similar products for [Terminals](#) category:

Click to view products by [Molex](#) manufacturer:

Other Similar products are found below :

[00-054007-01074-6](#) [00-054007-70206-1](#) [00-054007-70210-8](#) [00-054007-70217-7](#) [00-054007-70226-9](#) [00-054007-70228-3](#) [00-054007-70248-1](#) [00-054007-70256-6](#) [00-054007-70301-3](#) [00-054007-70316-7](#) [0-0320562-0](#) [00-054007-49560-4](#) [00-054007-70209-2](#) [00-054007-70225-2](#) [00-054007-70227-6](#) [00-054007-70231-3](#) [00-054007-70241-2](#) [00-054007-70242-9](#) [00-054007-70244-3](#) [00-054007-70246-7](#) [00-054007-70263-4](#) [00-054007-70288-7](#) [00-054007-70290-0](#) [00-054007-70300-6](#) [00-054007-70304-4](#) [01-2065-1-0216](#) [01-2900-1-04412](#) [00581P0075](#) [600TS-10](#) [60205-1](#) [604200-1](#) [605601-1](#) [60598-1-CUT-TAPE](#) [61314-6-C](#) [61810-3](#) [61-S](#) [62149-1](#) [626-0194](#) [62-NBM-A](#) [62-SN](#) [62-SP](#) [640179-1](#) [M55155/059I03](#) [M55155/079C01](#) [M55155/099H02](#) [M55155/109H01](#) [M55155/109H02](#) [M55155/12XH05](#) [M55155/16XH02](#) [M55155/29-5S](#)