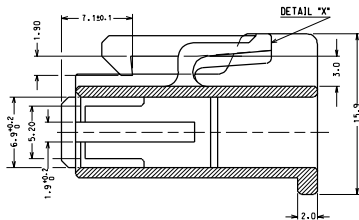
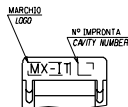
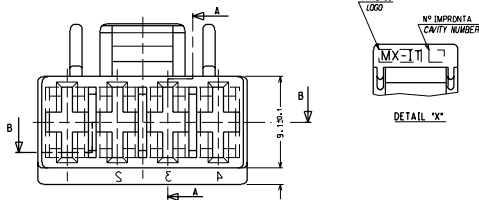
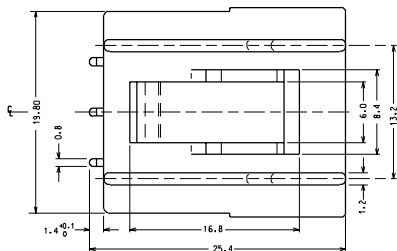


SEC. A-A



SEC. B-B

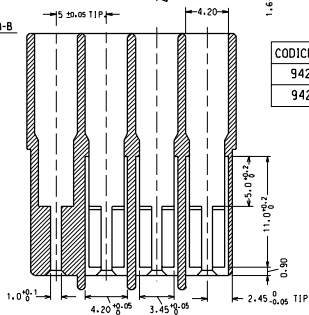


DETAIL "X"

CODICE ART./P/N	COLORE/COLOR
94213-9004	BIANCO/WHITE
94213-9014	NERO/BLACK

MATERIALE: NYLON 6.6 V2
 MATERIAL: NYLON 6.6 V2

CONFEZIONE: BOX DA 5000 pz.
 PACKAGING: CARDBOARD BOXES
 5000 pcs/box



SPO= 5000 pz.

Descr. Std.: FEMM HOUSING W/LATCH 4 CKT

REV	DESCRIPTION	QUALITY SYMBOLS	GENERAL TOLERANCES: UNLESS SPECIFIED!		SCALE	DESIGN UNITS	FIRST ANGLE PROJECTION	DIMENSIONS:		SHT	REV	
			mm	INCH	4:1	mm		INCH	mm			INCH
A2	EC NO. Z2001-0099 DRAWN: GOTTARDO 01-05-92 CHK'N: M. PRAVATO 07-03-92 APPROV.: ZULIN 07-03-92	MAJOR M SIGNIF. S CRITICAL C	±0.1	±0.005	mm	INCH	mm	INCH	mm	INCH	mm	INCH
			4 PLACES ±0.1	±0.005	mm	INCH	DRAWN BY & DATE F. GOTTARDO 05-10-92	TITLE:				
			3 PLACES ±0.15	±0.005	mm	INCH	CHECKED BY & DATE	FEMM HOUSING A 4 VIE PER FEMMINA HNF (CAIMANO)				
			2 PLACES ±0.2	±0.005	mm	INCH	APPROVED BY & DATE M. PRAVATO 05-10-92	4 CKT HOUSING FOR HNF ICAN/MANTEPERNAL				
			1 PLACE ±0.25	±0.005	mm	INCH	CAD FILENAME	MOLEX INCORPORATED				
			ANGULARS ±2°		mm	INCH	MATERIAL NO. VSD110080 SPO 1000	DRAWING NO. SD-94213-004				
					mm	INCH		SHEET NO. 1/1				
					mm	INCH		SIZE A3				

DRAFT WHERE APPLICABLE MUST REMAIN WITHIN DIMENSIONS

THIS DRAWING CONTAINS INFORMATION THAT IS PROPRIETARY TO MOLEX INCORPORATED AND SHOULD NOT BE USED WITHOUT WRITTEN PERMISSION.

X-ON Electronics

Largest Supplier of Electrical and Electronic Components

Click to view similar products for [Power to the Board](#) category:

Click to view products by [Molex](#) manufacturer:

Other Similar products are found below :

[6450171-4](#) [6450552-7](#) [6600323-8](#) [6643429-1](#) [6646040-2](#) [6651939-1](#) [6766604-1](#) [120959-1](#) [1393557-2](#) [1393532-2](#) [1393532-3](#) [1393532-4](#)
[1393557-1](#) [1600812-5](#) [1-6450861-2](#) [1744132-7](#) [1761122-1](#) [1766250-1](#) [1892109-1](#) [2-6450860-5](#) [2-6450870-0](#) [1-6450161-4](#) [1-6450850-6](#) [1-6450869-6](#) [1645526-2](#) [1-6600130-0](#) [2005243-2](#) [377-0020-11130](#) [TE34-12-16P-F0](#) [5-6450830-6](#) [5646956-4](#) [377-0080-11131A](#) [4-6450830-9](#)
[4-6600333-3](#) [10125416-4050LF](#) [6600320-3](#) [3-6450860-5](#) [1888123-2](#) [6450166-1](#) [6643978-1](#) [6766605-1](#) [701-15-02109](#) [N11444](#) [6651938-1](#)
[6450810-7](#) [46437-1112](#) [1-1589677-8](#) [5646956-5](#) [6450813-2](#) [6450129-4](#)