

PLEASE CHECK WWW.MOLEX.COM FOR LATEST PART INFORMATION

Part Number: [0945504106](#)
Status: **Active**
Overview: RAST 5 Connector System
Description: 5.00mm Pitch, Rast 5, PA Polyamide (Nylon) 6/6, UL 94V-2, 6 Circuits, Natural, Glow-Wire Capable

Documents:

| | |
|--|--|
| 3D Model | Product Specification TS-94550-002-001 (PDF) |
| Drawing (PDF) | Application Specification AS-45499-001-001 (PDF) |
| Product Specification PS-94550-001-001 (PDF) | RoHS Certificate of Compliance (PDF) |

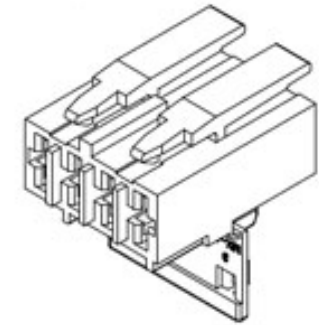
General

| | |
|----------------|--|
| Product Family | Crimp Housings |
| Series | 94550 |
| Application | Power, Wire-to-Board |
| Comments | This Molex product is manufactured from material that has the following ratings, tested by independent agencies :. a) A Glow Wire Ignition Temperature (GWIT) of at least 775 deg C per IEC 60695-2-13.. b) A Glow Wire Flammability Index (GWFI) above 850 deg C per IEC 60695-2-12.and hence complies with the requirements set out in the International Standard IEC 60335-1 5th edition - household and similar electrical appliances - safety; section 30 Resistance to heat and fire.<P><P>The customers using this product must determine its suitability for use in their particular application through testing or other acceptable means as described in end-product glow-wire flammability test standard IEC 60695-2-11 and any applicable product end-use standard(s).<P>If it is determined during the customer's evaluation of suitability, that higher performance is required, please contact Molex for possible product options. RAST 5 Connector System |
| Overview | RAST 5 |
| Product Name | 822348691777 |
| UPC | |

Physical

| | |
|-------------------------------|---------------|
| Breakaway | No |
| Circuits (maximum) | 6 |
| Color - Resin | Natural |
| Gender | Receptacle |
| Glow-Wire Capable | Yes |
| Lock to Mating Part | Yes |
| Material - Resin | Nylon |
| Net Weight | 4.920/g |
| Number of Rows | 1 |
| Packaging Type | Bag |
| Panel Mount | No |
| Pitch - Mating Interface | 5.00mm |
| Pitch - Termination Interface | 5.00mm |
| Polarized to Mating Part | Yes |
| Ports | 1 |
| Stackable | No |
| Temperature Range - Operating | -40° to +85°C |

Solder Process Data



Series image - Reference only

EU ELV

Compliant

EU RoHS

Compliant

REACH SVHC

Not Contained Per - ED/61/2018 (27 June 2018)

Halogen-Free

Status

Not Low-Halogen

For more information, please visit [Contact US](#)

China ROHS

ELV

RoHS Phthalates

China RoHS

Not Relevant

Compliant

Not Contained

Search Parts in this Series

[94550](#) Series

Mates With

Rast 5 Headers, [90858](#) Vertical Header, [90879](#) Right Angle Header

Use With

[94518](#) Crimp Terminal, [94549](#) Crimp Terminal

Lead-freeProcess Capability

N/A

Material Info

Reference - Drawing Numbers

Application Specification

AS-45499-001-001

Product Specification

PS-94550-001-001, TS-94550-002-001

Sales Drawing

SD-94550-022

This document was generated on 09/24/2018

PLEASE CHECK WWW.MOLEX.COM FOR LATEST PART INFORMATION

X-ON Electronics

Largest Supplier of Electrical and Electronic Components

Click to view similar products for [Automotive Connectors](#) category:

Click to view products by [Molex](#) manufacturer:

Other Similar products are found below :

[003-018-000](#) [60403001](#) [60993906-B](#) [M902-2131](#) [M902-2161](#) [72.330.1035.1](#) [73.353.4028.0](#) [F119300-B](#) [F166900](#) [F258300-B](#) [F358300-B](#)
[F407400](#) [F444110](#) [F487000](#) [F509500B-B](#) [827153-1](#) [8N1515-32-24P](#) [9-1326729-8](#) [925474-1](#) [928905-1](#) [964562-4](#) [968782-1](#) [GT17SA-8DS-](#)
[HU](#) [98891-1012](#) [98947-1016](#) [12004147](#) [12004475-L](#) [12010290](#) [12010309-B](#) [12015454](#) [12020219-B](#) [12020308](#) [12041318-B](#) [12052466](#)
[12059125](#) [12064869](#) [12004327-B](#) [12010503-B](#) [12015308](#) [12015384](#) [12015909](#) [1-21030-1](#) [12041254](#) [12041318](#) [12047946-B](#) [12047957](#)
[12047957-L](#) [12059473](#) [12066261](#) [12110546](#)