

PLEASE CHECK WWW.MOLEX.COM FOR LATEST PART INFORMATION

Part Number: [0945509103](#)
Status: **Active**
Overview: [RAST 5 Connector System](#)
Description: 5.00mm Pitch, Rast 5, PA Polyamide (Nylon) 6/6, UL 94V-2, 3 Circuits, Natural

Documents:

[3D Model](#) [Test Summary TS-94550-001 \(PDF\)](#)
[Drawing \(PDF\)](#) [RoHS Certificate of Compliance \(PDF\)](#)
[Product Specification PS-94550-001 \(PDF\)](#)

Agency Certification

CSA LR19980
 UL E29179

General

Product Family Crimp Housings
 Series [94550](#)
 Application Power, Wire-to-Board
 Overview [RAST 5 Connector System](#)
 Product Name RAST 5
 UPC 756054813881

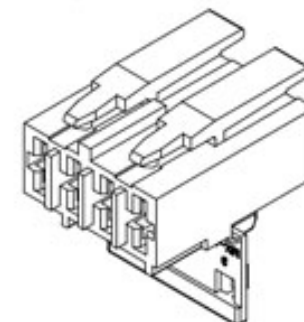
Physical

Breakaway No
 Circuits (maximum) 3
 Color - Resin Natural
 Flammability 94V-0
 Gender Female
 Glow-Wire Compliant No
 Lock to Mating Part Yes
 Material - Resin Nylon
 Net Weight 2.175/g
 Number of Rows 1
 Packaging Type Bag
 Panel Mount No
 Pitch - Mating Interface 5.00mm
 Pitch - Termination Interface 5.00mm
 Polarized to Mating Part Yes
 Ports 1
 Stackable No
 Temperature Range - Operating -40°C to +85°C

Material Info

Reference - Drawing Numbers

Product Specification PS-94550-001
 Sales Drawing SD-94550-011
 Test Summary TS-94550-001



Series image - Reference only

EU ELV

Compliant

EU RoHS

Compliant

REACH SVHC

Contains SVHC(17.
 December 2014): No

Halogen-Free

Status

Not Relevant

Need more information on product environmental compliance?

Email productcompliance@molex.com
 Please visit the [Contact Us](#) section for any non-product compliance questions.

China ROHS

ELV

Not Relevant

Compliant

Search Parts in this Series

[94550](#) Series

Mates With

Rast 5 Headers, [90858](#) Vertical Header,
[90879](#) Right Angle Header

Use With

[94518](#) Crimp Terminal, [94549](#) Crimp Terminal

X-ON Electronics

Largest Supplier of Electrical and Electronic Components

Click to view similar products for [Power to the Board](#) category:

Click to view products by [Molex](#) manufacturer:

Other Similar products are found below :

[6450171-4](#) [6450552-7](#) [6600323-8](#) [6643429-1](#) [6646040-2](#) [6651939-1](#) [6766604-1](#) [120959-1](#) [1393557-2](#) [1393532-2](#) [1393532-3](#) [1393532-4](#)
[1393557-1](#) [1600812-5](#) [1-6450861-2](#) [1744132-7](#) [1761122-1](#) [1766250-1](#) [1892109-1](#) [2-6450860-5](#) [2-6450870-0](#) [1-6450161-4](#) [1-6450850-6](#) [1-6450869-6](#) [1645526-2](#) [1-6600130-0](#) [2005243-2](#) [377-0020-11130](#) [TE34-12-16P-F0](#) [5-6450830-6](#) [5646956-4](#) [377-0080-11131A](#) [4-6450830-9](#)
[4-6600333-3](#) [10125416-4050LF](#) [6600320-3](#) [3-6450860-5](#) [1888123-2](#) [6450166-1](#) [6643978-1](#) [6766605-1](#) [701-15-02109](#) [N11444](#) [6651938-1](#)
[6450810-7](#) [46437-1112](#) [1-1589677-8](#) [5646956-5](#) [6450813-2](#) [6450129-4](#)