

**PLEASE CHECK WWW.MOLEX.COM FOR LATEST PART INFORMATION**

**Part Number:** [0950435881](#)  
**Status:** **Active**  
**Overview:** Magnetic and Modular Jacks/Plugs  
**Description:** Modular Plug, Cat5e, Short Body, Shielded, 8/8, for 6.00mm Cable Outside Diameter

**Documents:**

<a href="#">3D Model</a>	<a href="#">Application Specification AS-95043-001 (PDF)</a>
<a href="#">Drawing (PDF)</a>	<a href="#">RoHS Certificate of Compliance (PDF)</a>
<a href="#">Product Specification PS-95043-001 (PDF)</a>	<a href="#">Product Literature (PDF)</a>

**Agency Certification**

CSA	LR19980
UL	E107635

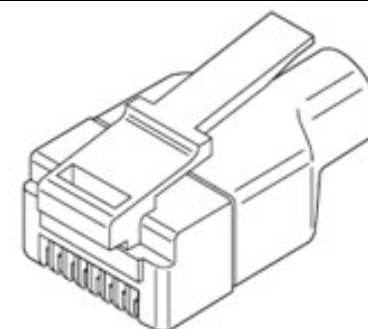
**General**

Product Family	Modular Jacks/Plugs
Series	95043
Comments	Colored Boot Cable to Plug Tensile Strength: 98.0N, Colored Boot Cable to Plug Tensile Strength: 98.0N
Component Type	Wire Plug
Magnetic	No
Overview	<u>Magnetic and Modular Jacks/Plugs</u>
Performance Category	5e
Power over Ethernet (PoE)	N/A
Product Literature Order No	987650-8441
Product Name	Modular Plug 8/8, RJ45
UPC	800754334280

**Physical**

Boot Color	N/A
Color - Resin	Clear
Durability (mating cycles max)	750
Flammability	94V-2
Inverted / Top Latch	N/A
Jack Height	N/A
Lightpipes/LEDs	None
Material - Metal	Phosphor Bronze
Material - Plating Mating	Gold
Material - Plating Termination	Tin
Material - Resin	Polycarbonate
Net Weight	2.429/g
Orientation	N/A
PCB Locator	No
PCB Retention	None
Packaging Type	Bag
Pitch - Mating Interface	1.02mm
Plating min - Mating	1.270µm
Plating min - Termination	1.270µm
Port Configuration	1x1
Positions / Loaded Contacts	8/8
Surface Mount Compatible (SMC)	N/A
Temperature Range - Operating	-40° to +60°C
Termination Interface: Style	IDT or Pierce
Waterproof / Dustproof	No
Wire/Cable Type	Round

**Electrical**



Series image - Reference only

**EU ELV**

**Not Relevant**

**EU RoHS**

**Compliant**

**REACH SVHC**

Not Contained Per -  
ED/71/2019 (16 July  
2019)

**Halogen-Free**

**Status**

**Low-Halogen**

For more information, please visit [Contact US](#)

China ROHS

ELV

RoHS Phthalates

**China RoHS**

Green Image

Not Relevant

Not Contained

**Search Parts in this Series**

95043 Series

**Mates With**

FCC 68 Jacks

**Application Tooling | FAQ**

*Tooling specifications and manuals are found by selecting the products below. Crimp Height Specifications are then contained in the Application Tooling Specification document.*

**Global**

Description	Product #
Parallel Action Handtool for Shielded Plug, FCC 68, 8/8 Circuit, Short Body	<a href="#">690081104</a>

Current - Maximum per Contact	1.5A
Grounding to Panel	N/A
Shielded	Yes
Voltage - Maximum	125V DC

**Material Info**

**Reference - Drawing Numbers**

Application Specification	AS-95043-001
Product Specification	PS-95043-001
Sales Drawing	950430001-000

This document was generated on 09/18/2019

**PLEASE CHECK [WWW.MOLEX.COM](http://WWW.MOLEX.COM) FOR LATEST PART INFORMATION**

## X-ON Electronics

Largest Supplier of Electrical and Electronic Components

*Click to view similar products for [Modular Connectors / Ethernet Connectors](#) category:*

*Click to view products by [Molex](#) manufacturer:*

Other Similar products are found below :

[8949-H88/06BLKA/SN](#) [74441-0010/BKN](#) [MP1010RX-1000](#) [MP44RX-1000](#) [PHP-6P6C-5](#) [GAX-3-66](#) [GAX-8-62](#) [GDCX-PA-66-50](#) [GDCX-PN-64](#) [GDCX-PN-66](#) [GDCX-PN-66-50](#) [GDLX-A-66](#) [GDLX-N-66](#) [GDLX-S-66](#) [GDLX-S-88K](#) [GDTX-S-88-50](#) [GDX-PA-1010](#) [GLX-N-1010M-BLK](#) [GLX-S-88M-BLK](#) [GMX-N-1010](#) [GMX-S-1010](#) [GMX-S-66](#) [GMX-SMT4-N-88](#) [GPX-2-64](#) [GSGX-N-2-88](#) [GSGX-N-4-88](#) [GSX-NS2-88-3.05](#) [GSX-NS2-88-3.05-50](#) [GSX-NS-88-3.05-50](#) [PT-108A-8C-UL](#) [PT-J951-8C](#) [PTS-J531-8CS-50UL](#) [1-1775629-2](#) [A-2014-0-4](#) [GWLX-S-88-GR](#) [GWLX-S9-88-YG](#) [DC-1021-8-WH-6](#) [1300530003](#) [1324640-4](#) [RJ11FTVC2G](#) [RJ11FTVC2N](#) [RJFTVX2SA1G](#) [132764-001](#) [1413235](#) [MP88X-1000](#) [MPS88RX-5000](#) [MRJR-5481-0F2](#) [E5288-S000K3-L](#) [E5908-15A242-L](#) [155302-001](#)