

PLEASE CHECK WWW.MOLEX.COM FOR LATEST PART INFORMATION

Part Number: [0988533062](#)
Status: **Active**
Overview: [Squib Right-Angle AK-2 Cable Assemblies](#)
Description: [SQUIB Right-Angle AK-2 Cable Assembly, Code 2, 1.0m Length](#)

Documents:

[Drawing \(PDF\)](#) [RoHS Certificate of Compliance \(PDF\)](#)

General

Product Family	Cable Assemblies
Series	98853
Assembly Configuration	Single Ended Connector
Comments	Cover (Yellow), CPA (Orange), Cover (Yellow), CPA (Orange)
Connector to Connector	Squib Connector-to-Pigtail
Overview	Squib Right-Angle AK-2 Cable Assemblies
Product Name	Squib
UPC	889056024013

Physical

Cable Length	1.0m
Circuits (Loaded)	2
Color - Resin	Light Green
Gender	Female
Lock to Mating Part	Yes
Material - Metal	Copper Alloy
Material - Plating Mating	Gold
Material - Plating Termination	Gold
Material - Resin	PBT
Net Weight	15.975/g
Packaging Type	Bag
Pitch - Mating Interface	3.10mm
Plating min - Mating	0.508µm
Plating min - Termination	0.508µm
Single Ended	Yes
Termination Interface: Style	AK2 Standard
Waterproof / Dustproof	No
Wire Insulation Diameter	1.6 mm MAX
Wire Size AWG	20
Wire/Cable Type	FLRY-A

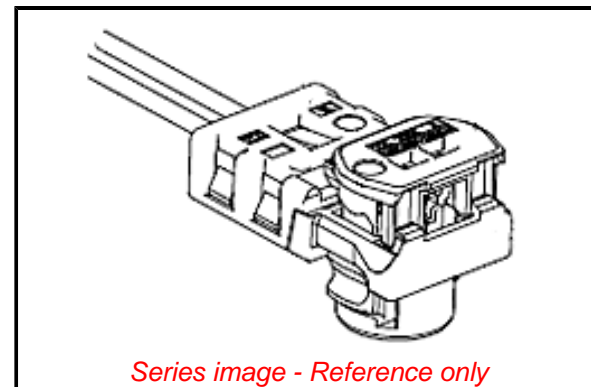
Electrical

Current - Maximum per Contact	6.7A
Shielded	No

Material Info

Reference - Drawing Numbers

Sales Drawing	SD-98853-130
---------------	--------------



Series image - Reference only

EU ELV

Compliant

EU RoHS

Compliant

REACH SVHC

Not Contained Per
-ED/01/2018 (15
January 2018)

Halogen-Free

Status

Not Reviewed

For more information, please visit [Contact US](#)

China ROHS

ELV

RoHS Phthalates

China RoHS

Green Image

Compliant

Not Contained

Search Parts in this Series

[98853 Series](#)

Mates With

USCAR Drawing 999-U-002-1-Z03,
Rev. A00, Date: 2007-Aug-24. ISO/TS
19072-4:2009(E), Dated: 2009-Jul-21.

X-ON Electronics

Largest Supplier of Electrical and Electronic Components

Click to view similar products for [Specialised Cables](#) category:

Click to view products by [Molex](#) manufacturer:

Other Similar products are found below :

[603PT6](#) [603SS6L](#) [604PT6](#) [604SS6](#) [706000D02F200](#) [910640](#) [1200740077](#) [1200740114](#) [AC172](#) [ACL-SSI-4](#) [R88ACAKA0015SRE](#)
[R88ACAWL005SDE](#) [R88ACRGD0R3C](#) [1300150047](#) [1300660036](#) [1302262116](#) [1300150149](#) [1300220020](#) [1300220104](#) [1300220119](#)
[1301240492](#) [1301810221](#) [1365323-1](#) [1613055](#) [176P12](#) [1971465-2](#) [20240400003](#) [20240400013](#) [2085828-1](#) [20886510030](#) [2-22733-8](#) [22733-](#)
[8](#) [CB-5PSBC-RS](#) [CB-704EC-RS](#) [CB-BATACC-RS](#) [CB-JST3PSW-RS](#) [CB-M12COM-R10](#) [25AC84](#) [25AK84X](#) [25AU25](#) [25FN82](#) [3011-03](#)
[AC118](#) [ACL-HHS-1M\(CAT5E\)](#) [SSL009PC2DC012N](#) [FC2A-KC6C](#) [2085828-2](#) [20886510150](#) [CCS-FCB-5](#) [CCSFCBF2](#)