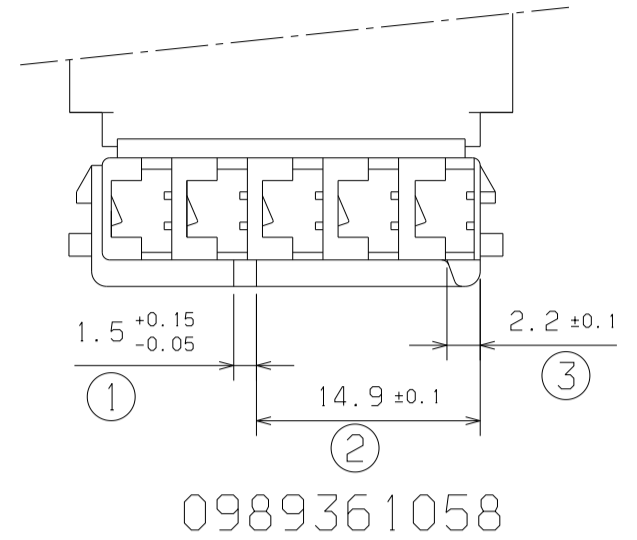
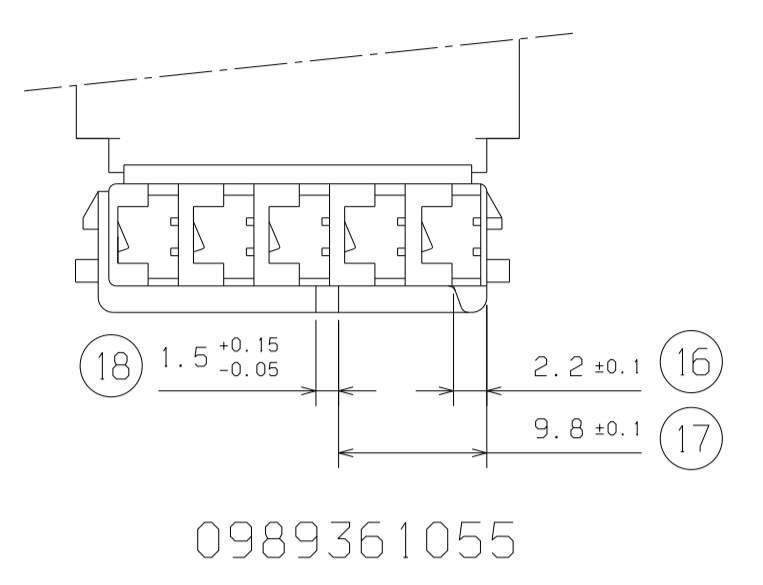
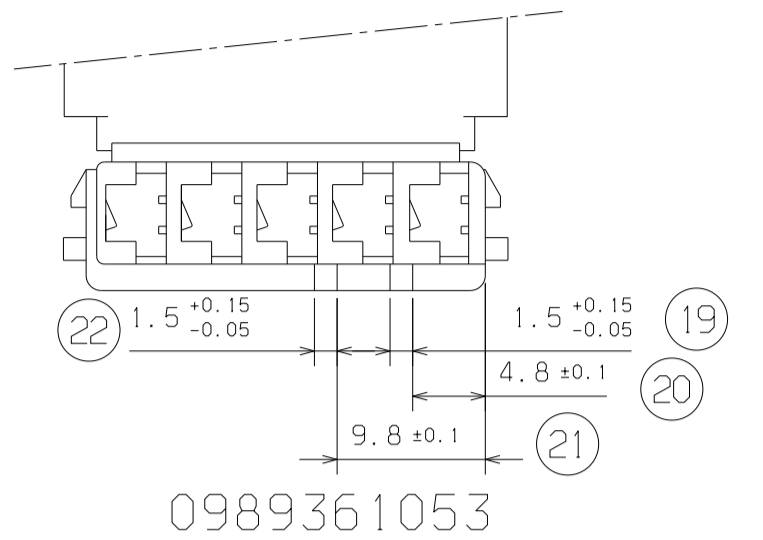
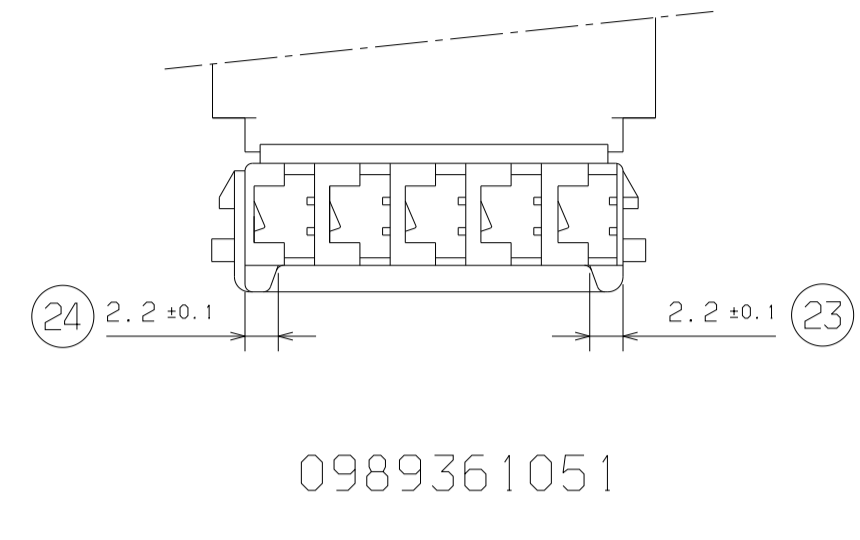
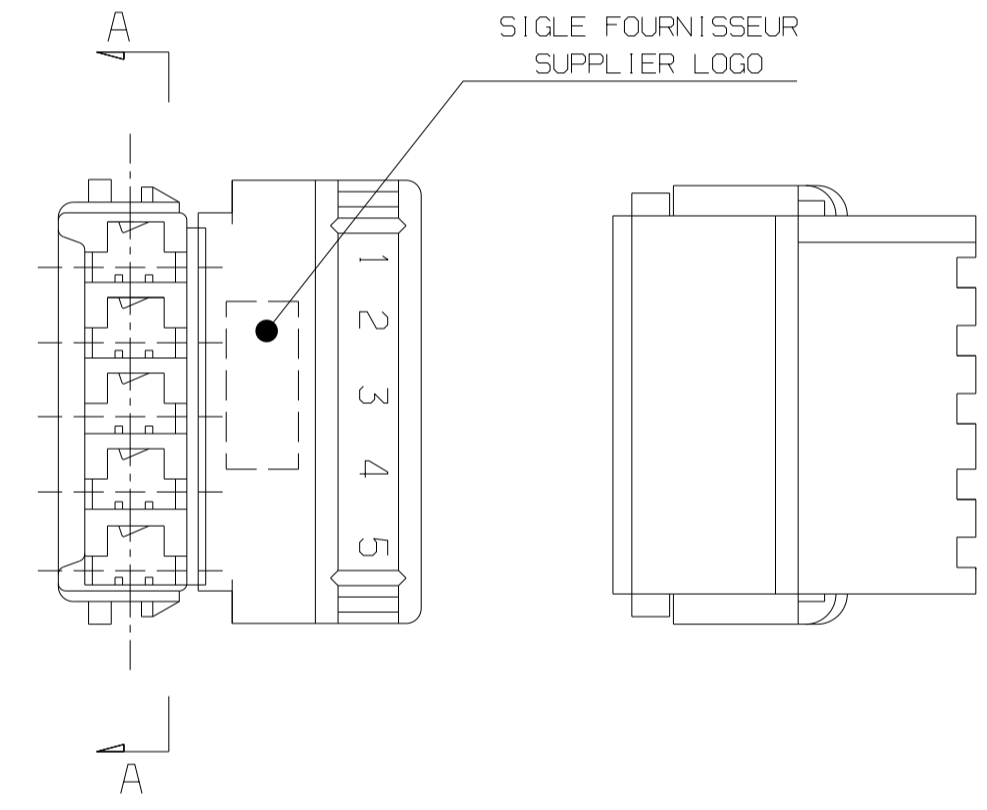
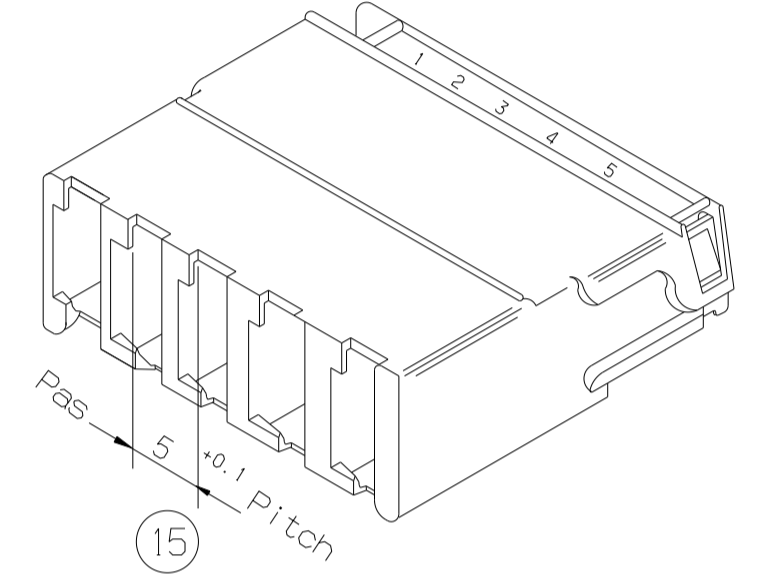
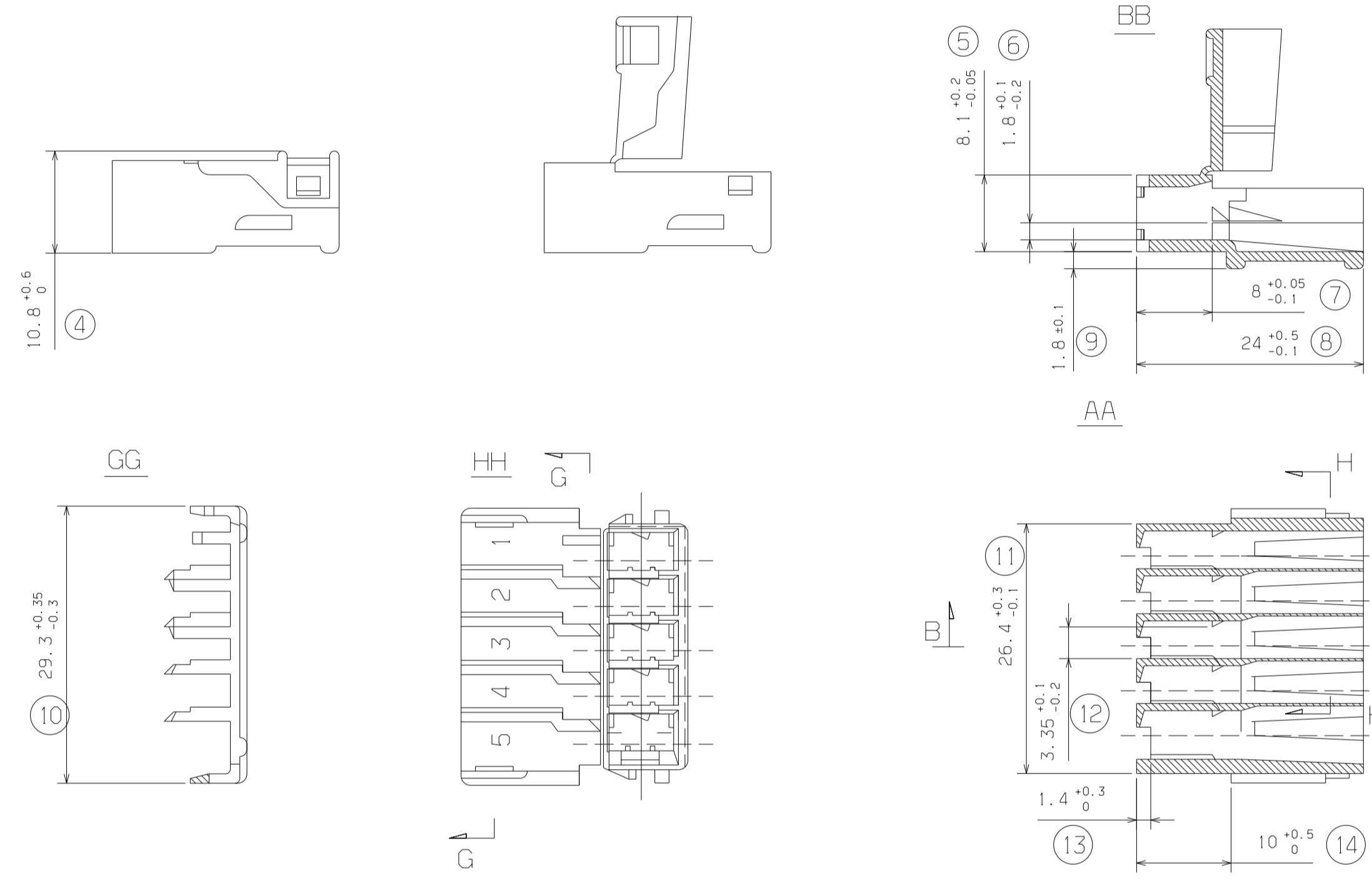


FROM DRAWING P/N 417-2... IND.P 95/06/08
 P1 CHANGE PART NUMBERS, SUPPLIER LOGO AND DRAWING FRAME 05/09/23
 P2 CHANGE P/N 0989361050 to 0989361074 2012/11/21
 P3 UPDATE MODEL MANAGER FOR PDF 2012/11/29
 O REVIEWED



Gris	0989361058	Grey	PA 6.6
Vert	0989361055	Green	
Orange	0989361053	Orange	
Noir	0989361051	Black	
Couleur	Référence	Color	



Connexions à employer :
 Use terminals :

0988951011
0988952011
0988951012
0988952012
0988951013
0988952013
0988951014
0988952014

CAPACITY OF CAVITIES CAPACITE DES ALVEOLES		
CRIMP SERTISSAGE	for wire size conducteur section en mm ²	insulation isolant Ø ext.en mm
single wire sur fil unitaire	3 ² maxi	4 maxi
coupled wires	1 ² + 1.4 ²	2.7 max+3 max
sur fils jumelés	0.6 ² + 2 ²	2.4 max+3.2 max

NOTA
NOTE
 Cotes à contrôler sur pièces en état stabilisé à 2.5% ± 0.5% de teneur en eau.
 Measurements to check on parts in a stabilized state of 2.5% ± 0.5% of water absorption.

ENTER DESCRIPTION EC NO: G2015-0078 DRAWN: TEBADAROUX 2014/11/28 CH: KD: JOLUOS 2014/11/28 APPR: OFLESSIS 2014/11/28	QUALITY SYMBOLS ▽=0 ◁=0	GENERAL TOLERANCES (UNLESS SPECIFIED)		DIMENSION STYLE MM ONLY	SCALE 2:1	DESIGN UNITS METRIC	FIRST ANGLE PROJECTION
		4 PLACES ± ± 3 PLACES ± ± 2 PLACES ± ± 1 PLACE ± ± ANGULAR ± °	DRAWN BY HE	DATE 81/10/16	TITLE CSP5 Rcpt Hsq W/Cap PA 5cct		
O	DESCRIPTION REV	DRAFT WHERE APPLICABLE MUST REMAIN WITHIN DIMENSIONS		CHECKED BY JLD	DATE 05/09/23	APPROVED BY LST	DATE 05/09/23
SIZE A1	SEE CHART		MATERIAL NO. SD-98936-001	DOCUMENT NO. SD-98936-001	MOLEX INCORPORATED		SHEET NO. 1 OF 1
THIS DRAWING CONTAINS INFORMATION THAT IS PROPRIETARY TO MOLEX INCORPORATED AND SHOULD NOT BE USED WITHOUT WRITTEN PERMISSION							

X-ON Electronics

Largest Supplier of Electrical and Electronic Components

Click to view similar products for [Automotive Connectors](#) category:

Click to view products by [Molex](#) manufacturer:

Other Similar products are found below :

[003-018-000](#) [60403001](#) [60993906-B](#) [M902-2131](#) [M902-2161](#) [72.330.1035.1](#) [73.353.4028.0](#) [F119300-B](#) [F166900](#) [F258300-B](#) [F358300-B](#)
[F407400](#) [F444110](#) [F487000](#) [F509500B-B](#) [827153-1](#) [8N1515-32-24P](#) [9-1326729-8](#) [925474-1](#) [928905-1](#) [964562-4](#) [968782-1](#) [GT17SA-8DS-](#)
[HU](#) [98891-1012](#) [98947-1016](#) [12004147](#) [12004475-L](#) [12010290](#) [12010309-B](#) [12015454](#) [12020219-B](#) [12020308](#) [12041318-B](#) [12052225-L](#)
[12052466](#) [12059125](#) [12064869](#) [12004327-B](#) [12010503-B](#) [12015308](#) [12015384](#) [12015909](#) [1-21030-1](#) [12041254](#) [12041318](#) [12047946-B](#)
[12047957](#) [12047957-L](#) [12059473](#) [12066261](#)