

HEADERS CODINGS

(CODING 2 SHOWN)

HEADERS CODINGS FOR MODULE T2 (32W)					
COLOR	CODING	DIM. A	DIM. B	DIM. C	DIM. D
BLACK	1	9.1	4.3	5.9	4.3
GREY	2	7.5	5.9	9.1	5.9
BROWN	3	5.9	7.5	9.1	9.1
GREEN	4	7.5	9.1	4.3	4.3
BLUE	5	4.3	7.5	5.9	5.9
YELLOW	6	9.1	7.5	4.3	7.5

(CODING 3 SHOWN)

HEADERS CODINGS FOR MODULE T3 (48W)					
COLOR	CODING	DIM. A	DIM. B	DIM. C	DIM. D
BLACK	1	12.9	6.3	8.5	6.3
GREY	2	10.7	8.5	12.9	8.5
BROWN	3	8.5	10.7	12.9	12.9
GREEN	4	10.7	12.9	6.3	6.3
BLUE	5	6.3	10.7	8.5	8.5
YELLOW	6	12.9	10.7	6.3	10.7

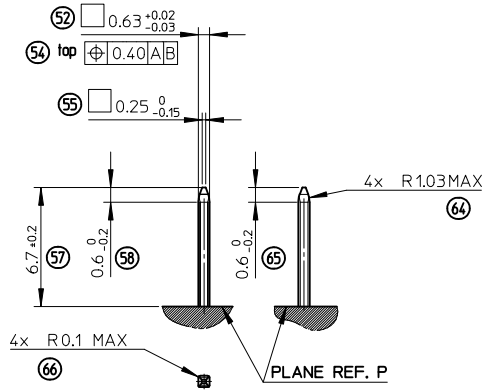
NOTE:

- 1- INTERFACE DEFINITION BASED ON NFR13-462 STANDARD.
- 2- HEADER: ELASTICITY MODULUS: 8000Mpa min. (INITIAL CONDITION BEFORE AGEING)

ENTER DESCRIPTION EC NO: G2010-0220 DRAWN: POCHELE 2010/05/20 CHKD: J. GIURIATO 2008/10/03 APPR: CBOUCHAN 2010/06/29	DESCRIPTION GENERAL TOLERANCES (UNLESS SPECIFIED) 4 PLACES ± --- ± --- 3 PLACES ± --- ± --- 2 PLACES ± 0.10 ± --- 1 PLACE ± 0.10 ± --- ANGULAR ± 2 °	DIMENSION STYLE MM ONLY	SCALE 2:1	DESIGN UNITS METRIC	FIRST ANGLE PROJECTION
		DRAWN BY DATE G. DESBRUERES 2008/10/02	CHECKED BY DATE J. GIURIATO 2008/10/03	APPROVED BY DATE O. PLESSIS 2008/10/06	MATERIAL NO. N/A
DRAFT WHERE APPLICABLE MUST REMAIN WITHIN DIMENSIONS		INTERFACES FOR CONNECTOR 32 & 48 CKT CMC GENERIC SALES DRAWING MOLEX INCORPORATED			
THIS DRAWING CONTAINS INFORMATION THAT IS PROPRIETARY TO MOLEX INCORPORATED AND SHOULD NOT BE USED WITHOUT WRITTEN PERMISSION					

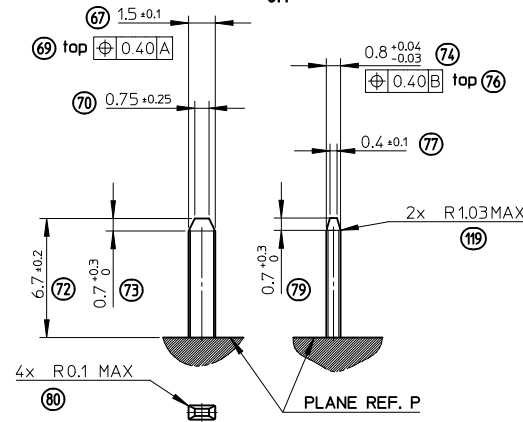
PINS 0.635 DEFINITION

5:1



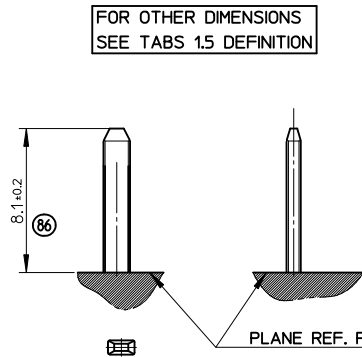
TABS 1.5 DEFINITION

5:1



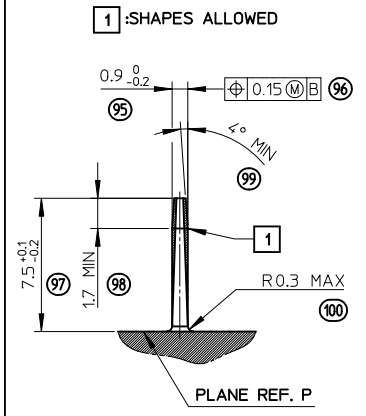
GROUND TABS 1.5 DEFINITION

5:1



PROTECTION WALL DEFINITION

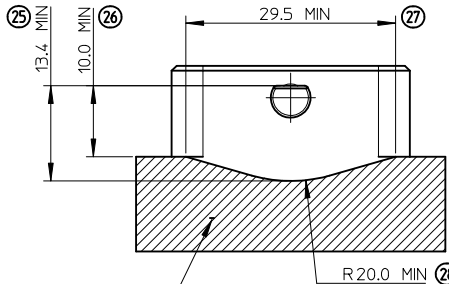
5:1



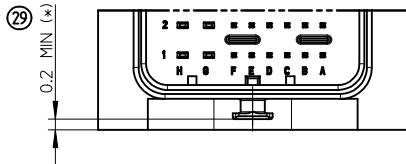
LOCKING AXIS PROTECTION

2:1

**MANDATORY OVERTHICKNESS: dimension noted (*)
IF THE LOCKING AXIS ARE OUT OF
EQUIPMENT OVERALL DIMENSIONS.**

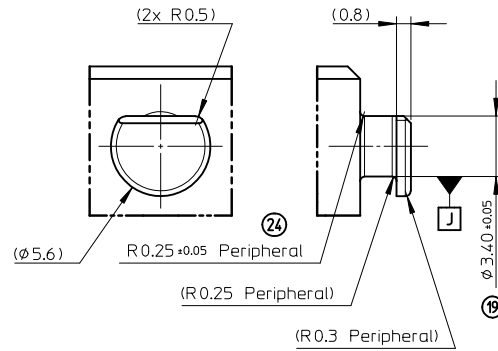


ADMISSIBLE SHAPES WITH OVERTHICKNESS 0.2 MIN (*)



LOCKING AXIS DEFINITION

5:1



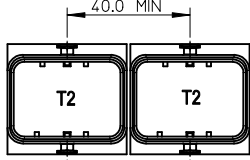
ENTER DESCRIPTION EC NO: G2010-0220 DRAWN: P. CHELE 2010/05/20 CHKD: J. GIURIATO 2008/10/03 APPR: C. BOUGHAN 2010/06/29	GENERAL TOLERANCES (UNLESS SPECIFIED)		DIMENSION STYLE MM ONLY		SCALE 1:1	DESIGN UNITS METRIC	FIRST ANGLE PROJECTION	
	4 PLACES	± ---	± ---	DRAWN BY G. DESBRUERES	DATE 2008/10/02	TITLE INTERFACES FOR CONNECTOR 32 & 48 CKT CMC GENERIC SALES DRAWING		
	3 PLACES	± ---	± ---	CHECKED BY J. GIURIATO	DATE 2008/10/03	MOLEX INCORPORATED		
	2 PLACES	± 0.10	± ---	APPROVED BY O. PLESSIS	DATE 2008/10/06	DOCUMENT NO. SD-98644-006	SHEET NO. 2 OF 3	
1 PLACE	± 0.10	± ---	MATERIAL NO. N/A		THIS DRAWING CONTAINS INFORMATION THAT IS PROPRIETARY TO MOLEX INCORPORATED AND SHOULD NOT BE USED WITHOUT WRITTEN PERMISSION			
DRAFT WHERE APPLICABLE MUST REMAIN WITHIN DIMENSIONS								

CONNECTOR ON HEADER - OVERALL DIMENSIONS

MULTI-HEADERS LAYOUT

LAYOUT FOR TWO INTERFACES T2 (32W)

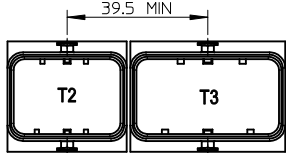
FOR SAME HARNESS EXIT CONFIGURATION



FOR OPPOSITE HARNESS EXIT CONFIGURATION

LAYOUT FOR TWO INTERFACES T2 (32W) AND T3 (48W)

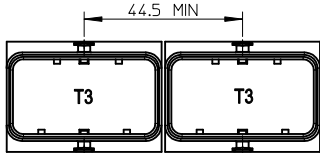
FOR SAME HARNESS EXIT CONFIGURATION



FOR OPPOSITE HARNESS EXIT CONFIGURATION

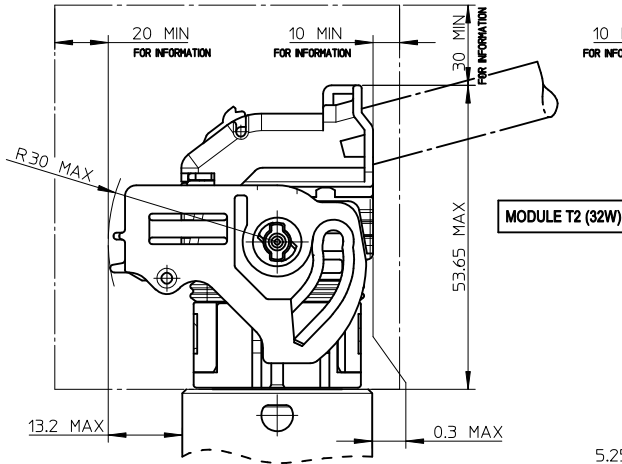
LAYOUT FOR TWO INTERFACES T3 (48W)

FOR SAME HARNESS EXIT CONFIGURATION

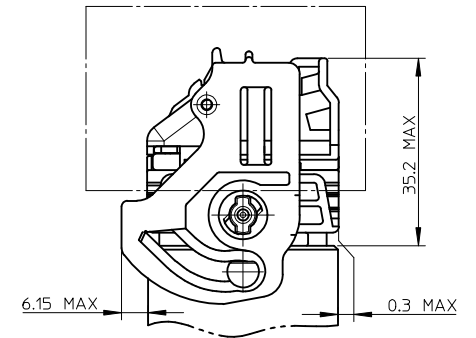


FOR OPPOSITE HARNESS EXIT CONFIGURATION

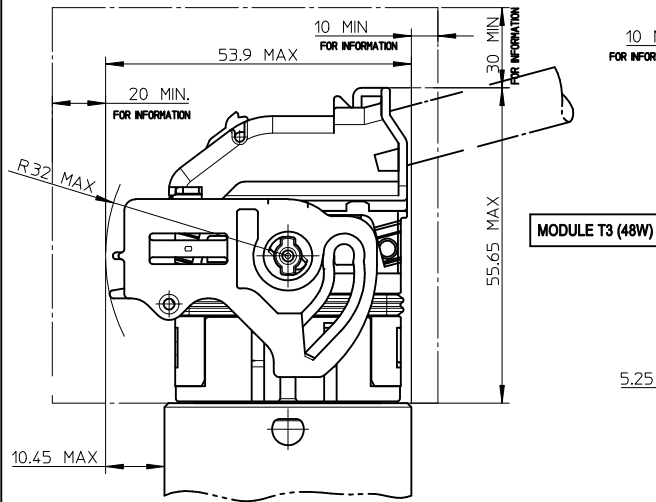
UNLOCKED CONNECTOR - OVERALL DIMENSIONS



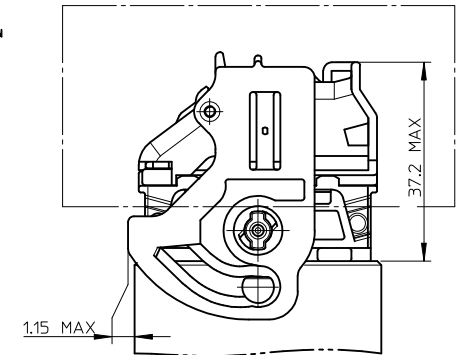
LOCKED CONNECTOR - OVERALL DIMENSIONS



UNLOCKED CONNECTOR - OVERALL DIMENSIONS



LOCKED CONNECTOR - OVERALL DIMENSIONS



NOTE:
1- T2 = 32 WAY / T3 = 48 WAY

LEGEND:



FREE VOLUME FOR MANUAL LOCKING AND UNLOCKING
DIMENSIONS GIVEN FOR INFORMATION ONLY TO BE
CONFIRMED BASED UPON VEHICLE CONFIGURATION.

REV	DESCRIPTION
0	ENTER DESCRIPTION
1	EC NO: G2010-0220
2	DRWN: PDECHELE 2010/05/20
3	CHKD: J. GIURIATO 2008/10/03
4	APPR: EBOULCHAN 2010/06/29

GENERAL TOLERANCES (UNLESS SPECIFIED)

	mm	INCH
4 PLACES	± 0.10	± 0.004
3 PLACES	± 0.15	± 0.006
2 PLACES	± 0.20	± 0.008
1 PLACE	± 0.30	± 0.012
ANGULAR ± 2 °		

DRAFT WHERE APPLICABLE
MUST REMAIN
WITHIN DIMENSIONS

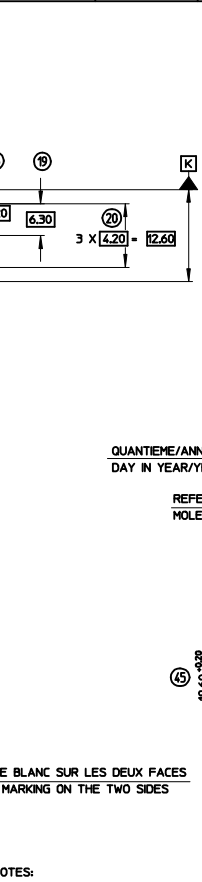
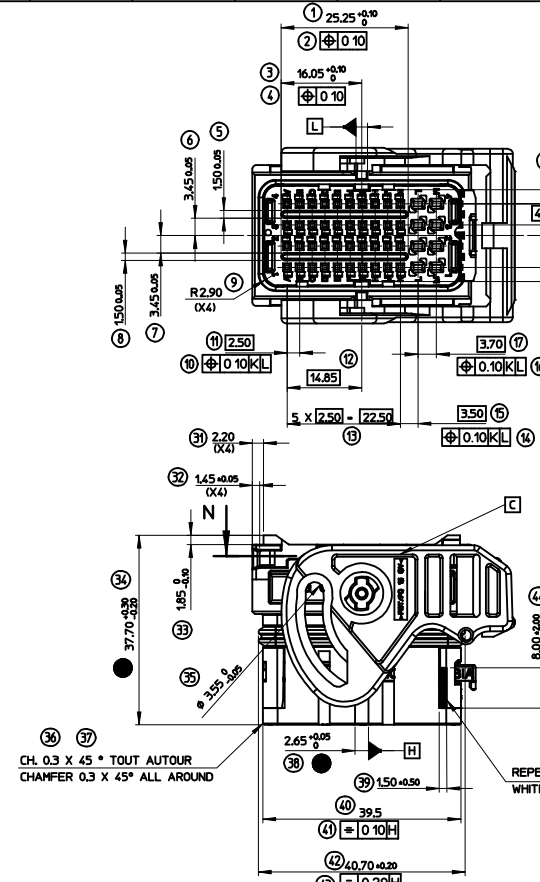
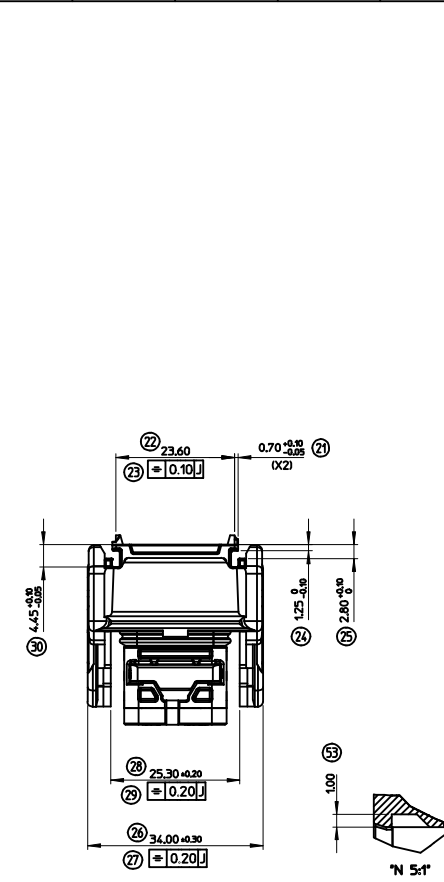
DIMENSION STYLE

MM ONLY	DATE
DRAWN BY	G. DESBRUERES 2008/10/02
CHECKED BY	J. GIURIATO 2008/10/03
APPROVED BY	O. PLESSIS 2008/10/06
MATERIAL NO.	N/A

SCALE 1:1 **DESIGN UNITS** METRIC **FIRST ANGLE PROJECTION**

TITLE	SHEET NO.
INTERFACES FOR CONNECTOR 32 & 48 CKT CMC GENERIC SALES DRAWING	3 OF 3
MOLEX INCORPORATED	
DOCUMENT NO. SD-98644-006	

THIS DRAWING CONTAINS INFORMATION THAT IS PROPRIETARY TO MOLEX
INCORPORATED AND SHOULD NOT BE USED WITHOUT WRITTEN PERMISSION

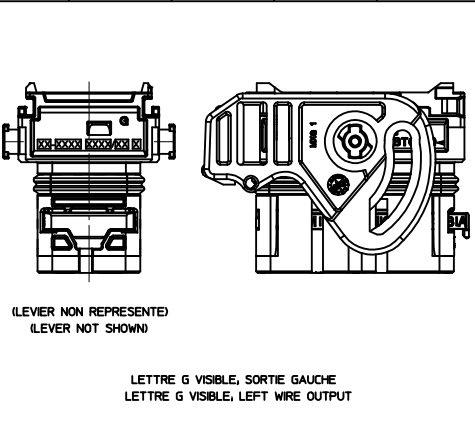


PORTE-CLIPS 48 VOIES SORTIE DROITE
FEMALE MODULE 48 WAY RIGHT WIRE OUTPUT

REF. MOLEX	COULEUR/COULEUR
MOLEX PART NUMBER	
0989502001	NOIR/BLACK
0989502002	GRIS/GREY
0989502003	MARRON/BROWN
0989502004	VERT/GREEN
0989502005	BLEU/BLUE

PORTE-CLIPS 48 VOIES SORTIE GAUCHE
FEMALE MODULE 48 WAY LEFT WIRE OUTPUT

REF. MOLEX	COULEUR/COULEUR
MOLEX PART NUMBER	
0989503001	NOIR/BLACK
0989503002	GRIS/GREY
0989503003	MARRON/BROWN
0989503004	VERT/GREEN
0989503005	BLEU/BLUE



QUANTIEME/ANNEE DE L'ASSEMBLAGE
 DAY IN YEAR/YEAR OF ASSEMBLY

IMPRESSON JET D'ENCRE
 INK JET PRINTING

REFERENCE MOLEX
 MOLEX PART NUMBER

INDICE DE REVISION DU PLAN CLIENT
 CUSTOMER DRAWING REVISION LEVEL

REPERE BLANC SUR LES DEUX FACES
 WHITE MARKING ON THE TWO SIDES

CH. 0.3 X 45 * TOUT AROUND
 CHAMFER 0.3 X 45° ALL AROUND

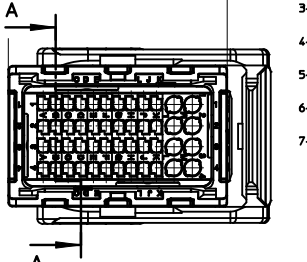
NOTES:

- 1- LE PORTE-CLIPS ASSEMBLE REPRESENTE EST LA VERSION SORTIE DROITE CODAGE 1 FOR ILLUSTRATION PURPOSE THE FEMALE MODULE SHOWN IS THE RIGHT WIRE OUTPUT VERSION CODING 1
- 2- IMPLANTATION DES CLIPS, ENCOMBREMENTS, DETROPPAGE SUIVANT INTERFACE CONNECTIQUE PSA STE 9629500099 ET RENAULT 7710 001 079 CLIPS LAYOUT, CODING FOLLOWING PSA INTERFACE CONNECTIQUE STE 9629500099 AND RENAULT 7710 001 079
- 3- REFERENCE DES CONNEXIONS SUIVANT STE 9637276380 ET STE 9628421380 TERMINAL PART NUMBER FOLLOWING STE 9637276380 AND STE 9628421380
- 4- PRODUIT CONFORME A LA SPECIFICATION PSA STE 9629568099 PRODUCT IN ACCORDANCE WITH PSA SPECIFICATION STE 9629568099
- 5- CAHIER DE PRECONISATION : RAS-98644-005 APPLICATION SPECIFICATION : RAS-98644-005
- 6- LE PORTE-CLIPS EQUIPE S'ASSEMBLE AVEC LE CAPOT REFERENCE : 0986551003 THE ASSEMBLED FEMALE MODULE IS ASSEMBLED WITH THE COVER PART NUMBER : 0986551003
- 7- POIDS PIECE: 36,080 g PART WEIGHT: 36,080 g

LEVIER NON REPRESENTE (LEVER NOT SHOWN)

ECHELLE 1:1
 SCALE 1:1

0986570002	G	JOINT GEL GROMMET GEL GROMMET SEAL	SILICONE	BLEU/BLUE
0986560002	F	JOINT INTERFACIAL PERIMETER SEAL	SILICONE	ROUGE/RED
0986541001	E	GRILLE DE COMPRESSION REAR SEAL COVER	PBTP 20% GF.	BLEU/BLUE
0986531001	D	DOUBLE VERROUILLAGE SECONDARY LOCKING	PBTP 30% GF.	GRIS/GREY
0986521001	C	LEVIER/LEVER	PBT+PC-GF 15%	GRIS/GREY
0986511005	B	BOITIER INFERIEUR BOTTOM HOUSING	PBTP 20% GF.	BLEU/BLUE
0986511004				VERT/GREEN
0986511003				MARRON/BROWN
0986511002				GRIS/GREY
0986511001	A	BOITIER SUPERIEUR TOP HOUSING	PBTP 20% GF.	NOIR/BLACK
REF. MOLEX MOLEX PART NUMBER	REP.	DESIGNATION	MATIERE/MATERIAL	COULEUR/COULEUR



INDICATION DIMENSIONS S.P.C
 DENOTES S.P.C DIMENSIONS

INDICATION DIMENSIONS CRITIQUE
 DENOTES CRITICAL DIMENSIONS

INDICATION DIMENSIONS FONCTIONNELLES
 DENOTES FUNCTIONAL DIMENSIONS

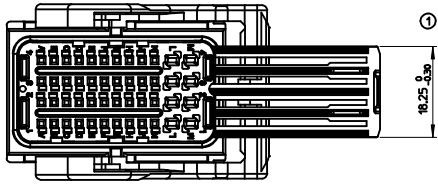
QUANTITE PAR FEUILLE INDIVIDUELLE
 QUANTITY PER INDIVIDUAL SHEET

0 0 3

EC NO: G2009-0313 DRW: PGRANDL2009/06/18 CHKD: PDECHEL2009/06/18 APPR: CBOUCHANZ009/06/18	GENERAL TOLERANCES (UNLESS SPECIFIED)		SCALE 2:1	DESIGN UNITS METRIC	FIRST ANGLE PROJECTION	REVISE ON CAD ONLY
	4 PLACES ± --- ± ---	3 PLACES ± --- ± ---	2 PLACES ± 0.10 ± ---	1 PLACE ± 0.15 ± ---	ANGULAR ± 1°	DRAFT WHERE APPLICABLE MUST REMAIN WITHIN DIMENSIONS
TITLE PORTE-CLIPS 48 VOIES CMC FEMALE MODULE CMC 48 WAY SALES DRAWING			MATERIAL NO. SEE CHART		DOCUMENT NO. SD-98950-010	SHEET NO. 1 OF 2
MOLEX INCORPORATED			THIS DRAWING CONTAINS INFORMATION THAT IS PROPRIETARY TO MOLEX INCORPORATED AND SHOULD NOT BE USED WITHOUT WRITTEN PERMISSION			

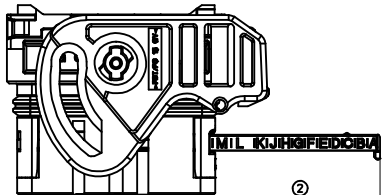
ENCOMBREMENT PORTE-CLIPS D.V. POSITION MONTAGE CLIP
FEMALE MODULE LAYOUT SECONDARY LOCKING POSITION FOR CLIP ASSEMBLY

PORTE-CLIPS SORTIE DROITE
FEMALE MODULE RIGHT WIRE OUTPUT



①

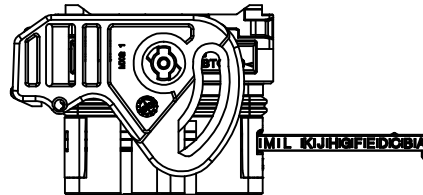
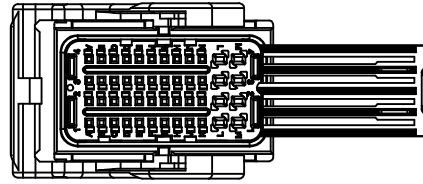
10.25⁰_{-0.30}



②

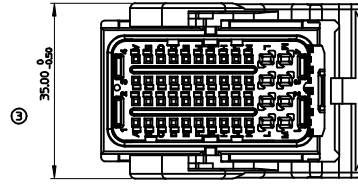
32.80⁰_{-0.30}

PORTE-CLIPS SORTIE GAUCHE
FEMALE MODULE LEFT WIRE OUTPUT



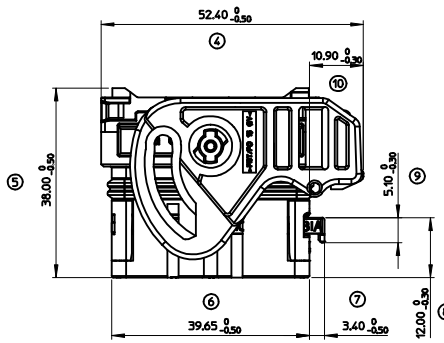
ENCOMBREMENT PORTE-CLIPS D.V. POSITION LIVRAISON
FEMALE MODULE LAYOUT SECONDARY LOCKING IN DELIVERY POSITION

PORTE-CLIPS SORTIE DROITE
FEMALE MODULE RIGHT WIRE OUTPUT



③

35.00⁰_{-0.30}



52.40⁰_{-0.30}

10.90⁰_{-0.30}

⑤

36.00⁰_{-0.30}

⑥

39.65⁰_{-0.30}

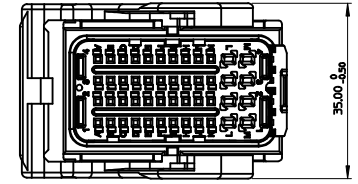
⑦

3.40⁰_{-0.30}

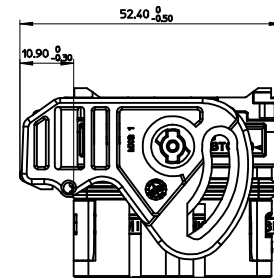
⑧

12.00⁰_{-0.30}

PORTE-CLIPS SORTIE GAUCHE
FEMALE MODULE LEFT WIRE OUTPUT



35.00⁰_{-0.30}

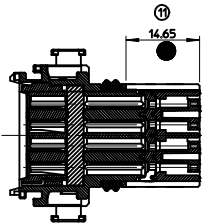
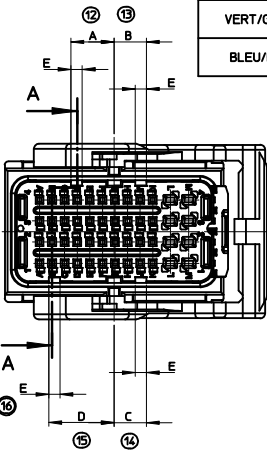


52.40⁰_{-0.30}

10.90⁰_{-0.30}

POSITION DES DETROMPAGES
CODING POSITION

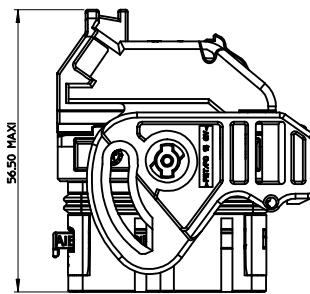
COULEUR/COLOUR	DETROMPAGE/CODING	A +0.10 0	B +0.10 0	C +0.10 0	D +0.10 0	E +0.10 0
NOIR/BLACK	1	8.60	6.40	6.40	12.95	2.25
GRIS/GREY	2	12.95	8.60	8.60	10.75	2.25
MARRON/BROWN	3	12.95	12.95	10.75	8.60	2.25
VERT/GREEN	4	6.40	6.40	12.95	10.75	2.25
BLEU/BLUE	5	8.60	8.60	10.75	6.40	2.25



A-A
(LEVER NON REPRESENTE)
(LEVER NOT SHOWN)

⊠	INDICATION DIMENSIONS S.P.C DENOTES S.P.C DIMENSIONS
⊙	INDICATION DIMENSIONS CRITIQUES DENOTES CRITICAL DIMENSIONS
●	INDICATION DIMENSIONS FONCTIONNELLES DENOTES FUNCTIONAL DIMENSIONS
○	QUANTITE PAR FEUILLE INDIVIDUELLE QUANTITY PER INDIVIDUAL SHEET
⊠	0
⊙	0
●	1

ENCOMBREMENT HORS-TOUT
OVERALL DIMENSION



CONTACTS
FEMALE TERMINAL

REPERE ALVEOLES CAVITIES NUMBER	CONTACTS FEMALE TERMINAL	REF. MOLEX MOLEX P/N	DIAMETRE ISOLANT FIL MINI / MAXI MIN / MAX WIRE INSULATION DIAMETER
A1 à K1	CLIP 0.63 (0.35mm2 à 0.60mm2)	0986581211	Ø1.25 min / Ø1.90 max
A2 à K2		0986581213	
A3 à K3	CLIP 0.63 (0.75mm2)	0986581212	Ø1.60 min / Ø1.90 max
A4 à K4			
L1 à M4	CLIP 1.5 (0.5mm2 à 1mm2)	0989151029	Ø1.40 min / Ø2.15 max
L1 à M4		0989151039	Ø2.25 min / Ø2.65 max

EC NO: G2009-0313 DRW: PGRANDL2009/06/18 CHKD: PDECHELEZ2009/06/18 APPR: CBOUCHANZ2009/06/18	GENERAL TOLERANCES (UNLESS SPECIFIED)	SCALE 5:1	DESIGN UNITS METRIC	FIRST ANGLE PROJECTION	REVISE ON CAD ONLY
	4 PLACES ± --- ± ---	mm	INCH	DIMENSION STYLE MM ONLY	TITLE PORTE-CLIPS 48 VOIES CMC FEMALE MODULE CMC 48 WAY SALES DRAWING
	3 PLACES ± --- ± ---	± 0.10	± 0.15	DRAWN BY PGR	DATE 98/12/13
	2 PLACES ± 0.10 ± ---	± 0.15	± ---	CHECKED BY PDE	DATE 00/02/02
1 PLACE ± 0.15 ± ---	ANGULAR ± 1 °	DRAFT WHERE APPLICABLE MUST REMAIN WITHIN DIMENSIONS	APPROVED BY CBO	DATE 00/02/02	MATERIAL NO. SEE CHART DOCUMENT NO. SD-98950-010 SHEET NO. 2 OF 2
3	REV	THIS DRAWING CONTAINS INFORMATION THAT IS PROPRIETARY TO MOLEX INCORPORATED AND SHOULD NOT BE USED WITHOUT WRITTEN PERMISSION		MOLEX INCORPORATED A1	

X-ON Electronics

Largest Supplier of Electrical and Electronic Components

Click to view similar products for [Automotive Connectors](#) category:

Click to view products by [Molex](#) manufacturer:

Other Similar products are found below :

[003-018-000](#) [60403001](#) [60993906-B](#) [M902-2131](#) [M902-2161](#) [72.330.1035.1](#) [73.353.4028.0](#) [F119300-B](#) [F166900](#) [F258300-B](#) [F358300-B](#)
[F407400](#) [F444110](#) [F487000](#) [F509500B-B](#) [827153-1](#) [8N1515-32-24P](#) [9-1326729-8](#) [925474-1](#) [928905-1](#) [964562-4](#) [968782-1](#) [GT17SA-8DS-](#)
[HU](#) [98891-1012](#) [98947-1016](#) [12004147](#) [12004475-L](#) [12010290](#) [12010309-B](#) [12015454](#) [12020219-B](#) [12020308](#) [12041318-B](#) [12052225-L](#)
[12052466](#) [12059125](#) [12064869](#) [12004327-B](#) [12010503-B](#) [12015308](#) [12015384](#) [12015909](#) [1-21030-1](#) [12041254](#) [12041318](#) [12047946-B](#)
[12047957](#) [12047957-L](#) [12059473](#) [12066261](#)