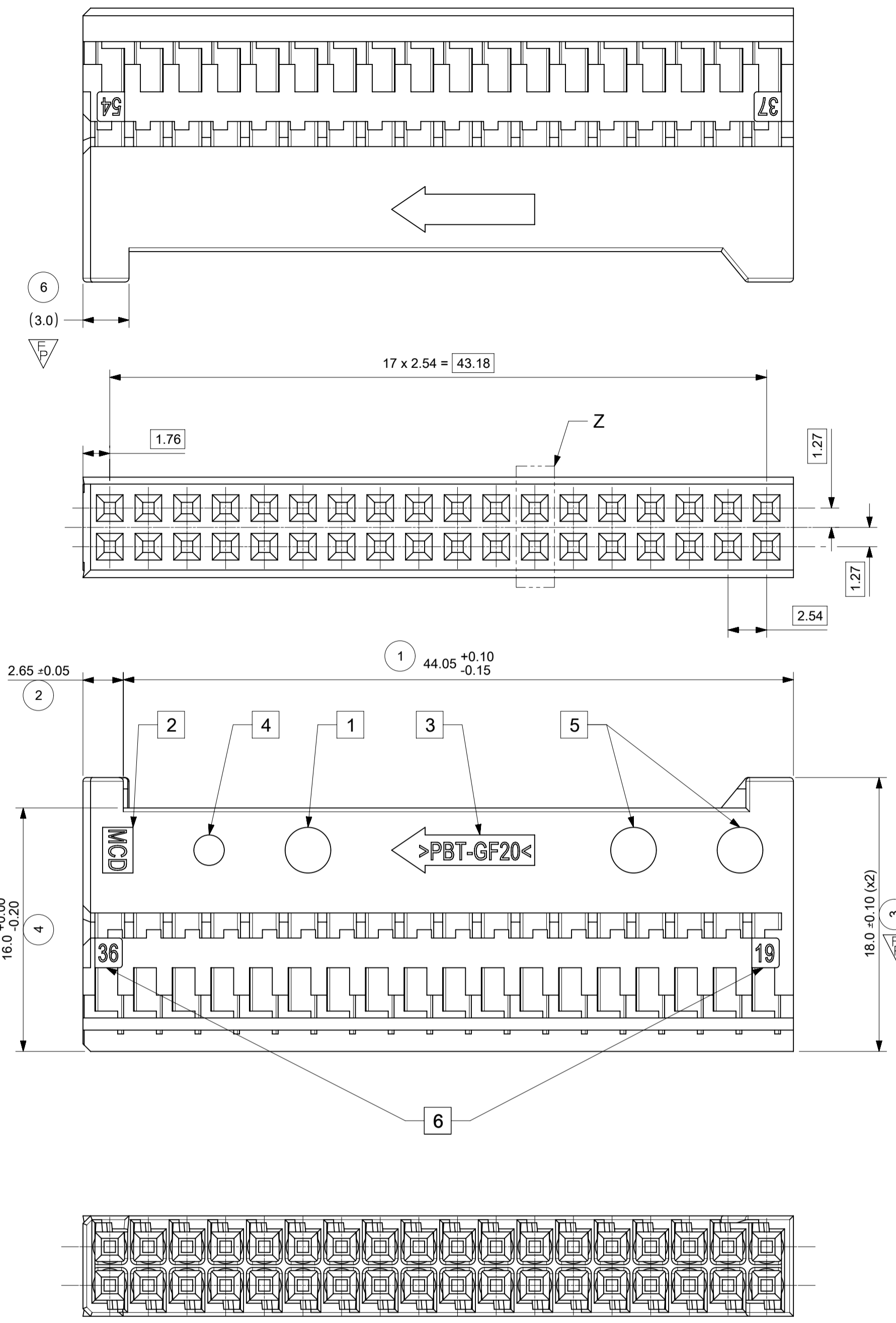
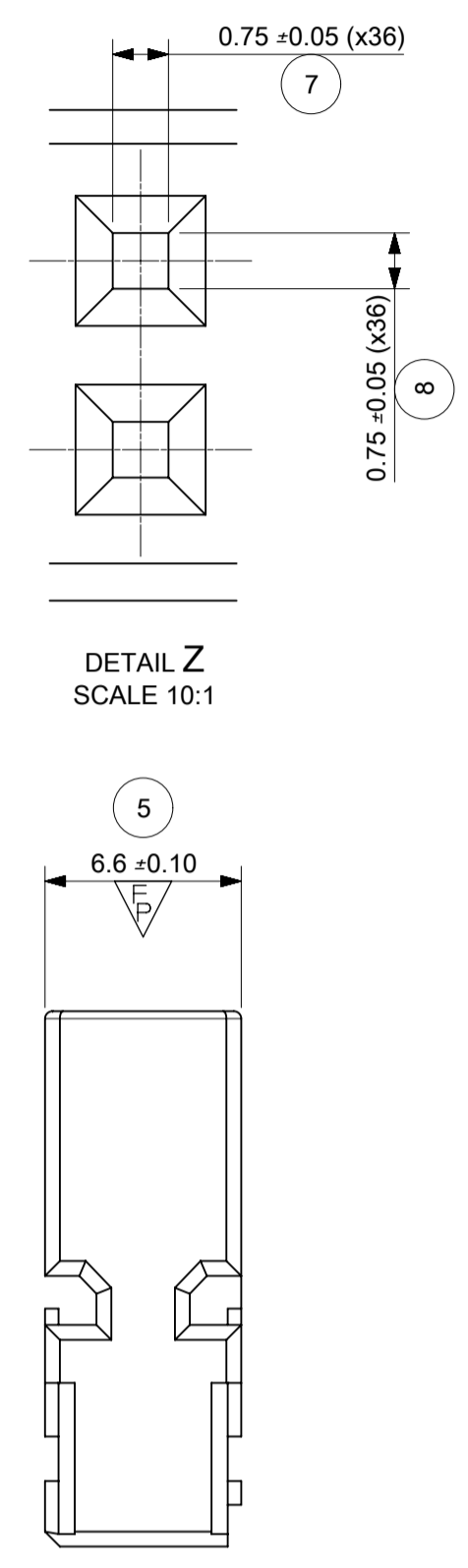


CODING

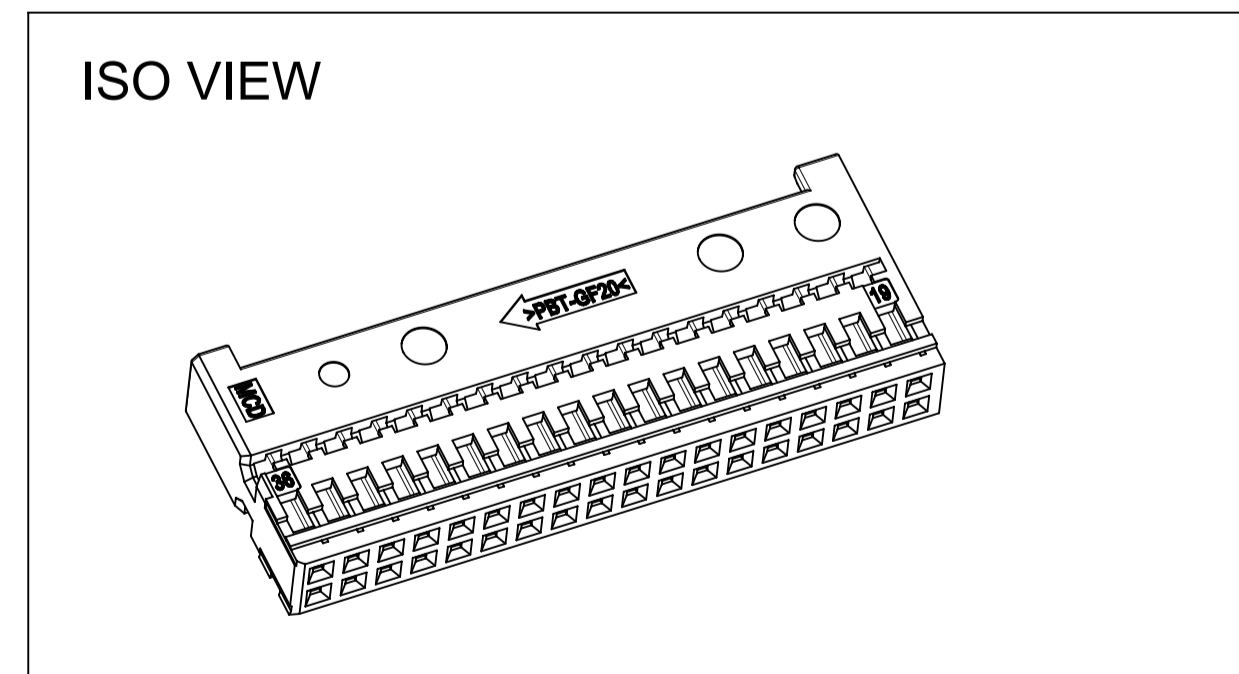
REPRESENTED ITEM:
GREEN CODING



MODIFICATIONS			
REV.	DESCRIPTIONS	NAME	DATE
A	-DOCUMENT FIRST RELEASE	GD	2017/02/10
A1	-DOCUMENT REDRAWN ON NX CADSYSTEM -MSQ TERMINALS SUPERSEDED BY MOX TERMINALS -ADD REFERENCES FOR AS AND TS DOCUMENTS -ADD TOLERANCES ON DIMENSIONS	JBM	2019/12/12

COMPONENT COMPATIBILITY TABLE					
DESCRIPTION	54CKT FEMALE CONNECTOR				
	PART NUMBER	98982 5011	98982 5012	98982 5019	
		COLOR	BLACK	GREY	PURPLE (UNIVERSAL)
MOX RCPT MODULE 36CKT	098982 5065	GREEN	X		X
	098982 5066	BLUE		X	X
PBT-GF20					
MATERIAL					

- MARKINGS:**
- 1 - MOLD REVISION LEVEL
 - 2 - SUPPLIER PLANT PROD.
 - 3 - MATERIAL
 - 4 - MOLD CAVITY NUMBER
 - 5 - DATUM YEAR AND MONTH
 - 6 - CAVITIES IDENTIFICATION



NOTES:

- 1 - PRODUCT WEIGHT: 2.9 GRAMS
- 2 - PACKAGING FOLLOWING: PK-98982-002
- 3 - APPLICATION SPECIFICATION: 989820002-AS
- 4 - TEST SUMMARY: 989823462-TS
- 5 - USE TERMINALS: MOX (98658)
- 6 - MATES IN FEMALE CONNECTOR: SEE COMPONENT COMPATIBILITY TABLE

SYMBOLS THIS DRAWING CONTAINS INFORMATION THAT IS PROPRIETARY TO MOLEX ELECTRONIC TECHNOLOGIES, LLC AND SHOULD NOT BE USED WITHOUT WRITTEN PERMISSION DIMENSION UNITS: mm SCALE: 4:1 GENERAL TOLERANCES (UNLESS SPECIFIED): ANGULAR TOL: ± ° 0 PLACES ± 3 PLACES ± 2 PLACES ± 1 PLACE ± 0 PLACES ± DRAFT WHERE APPLICABLE MUST REMAIN WITHIN DIMENSIONS	CURRENT REV DESC: MQS TERMINALS SUPERSEDED BY MOX TERMINALS. ADD TOLERANCES ON EACH DIMENSIONS. EC NO: 628064 DRWN: GDESBRUERES 2019/11/13 CHK'D: JBMAZGA 2019/11/27 APPR: CBOUCHAN 2019/12/20 INITIAL REVISION: DRWN: GDESBRUERES 2017/02/10 APPR: SLAFAURE 2017/03/14	
	PRODUCT CUSTOMER DRAWING DOCUMENT NUMBER: SD-98982-004 DOC TYPE: PSD DOC PART: 001 REVISION: A1	MATERIAL NUMBER: SEE CODING TABLE CUSTOMER: GENERAL MARKET SHEET NUMBER: 1 OF 1

X-ON Electronics

Largest Supplier of Electrical and Electronic Components

Click to view similar products for [Automotive Connectors](#) category:

Click to view products by [Molex](#) manufacturer:

Other Similar products are found below :

[003-018-000](#) [60403001](#) [60993906-B](#) [M902-2131](#) [M902-2161](#) [72.330.1035.1](#) [73.353.4028.0](#) [F119300-B](#) [F166900](#) [F258300-B](#) [F358300-B](#)
[F407400](#) [F444110](#) [F487000](#) [F509500B-B](#) [827153-1](#) [8N1515-32-24P](#) [9-1326729-8](#) [925474-1](#) [928905-1](#) [964562-4](#) [968782-1](#) [GT17SA-8DS-](#)
[HU](#) [98891-1012](#) [98947-1016](#) [12004147](#) [12004475-L](#) [12010290](#) [12010309-B](#) [12015454](#) [12020219-B](#) [12020308](#) [12041318-B](#) [12052225-L](#)
[12052466](#) [12059125](#) [12064869](#) [12004327-B](#) [12010503-B](#) [12015308](#) [12015384](#) [12015909](#) [1-21030-1](#) [12041254](#) [12041318](#) [12047946-B](#)
[12047957](#) [12047957-L](#) [12059473](#) [12066261](#)