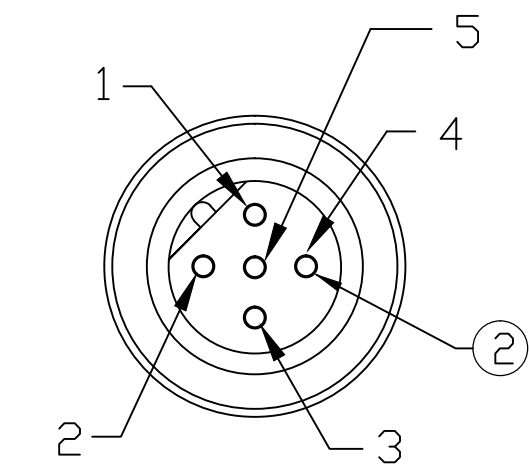
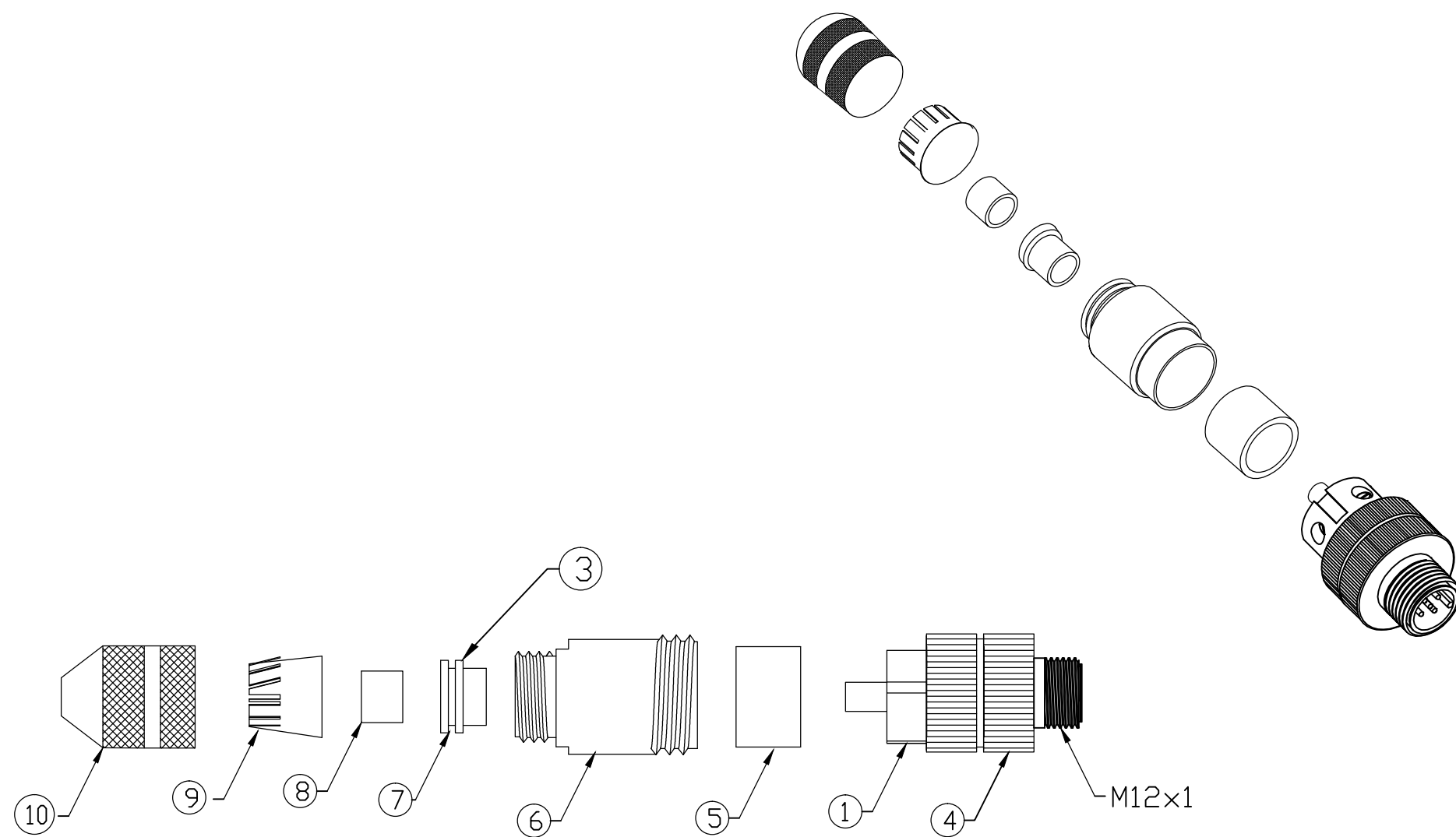
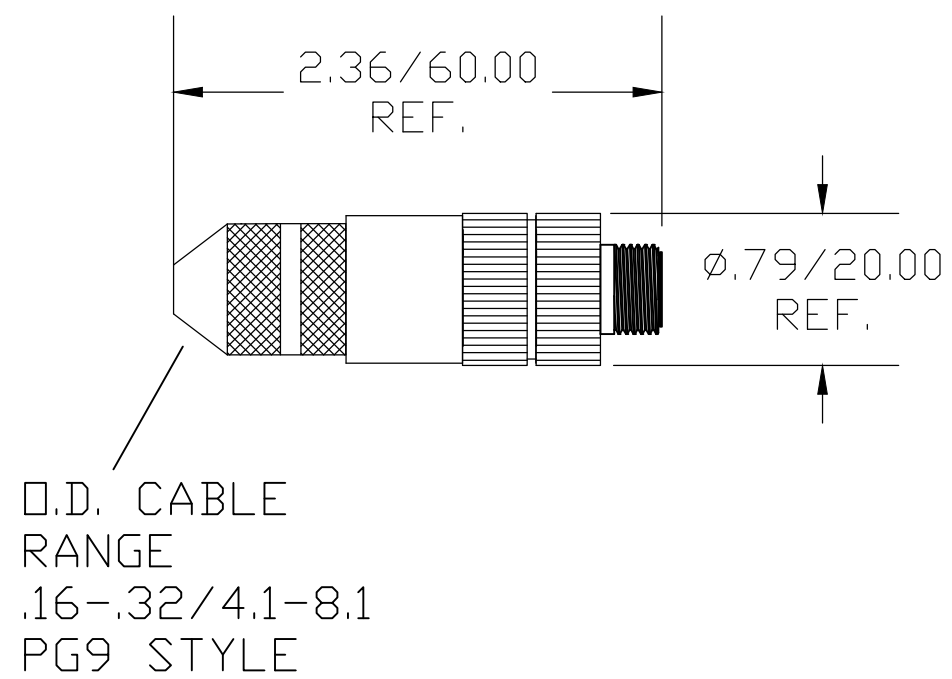


MATERIAL NUMBER	OLD PART NUMBER
120100-0002	BA5S06-32



MALE FACE VIEW

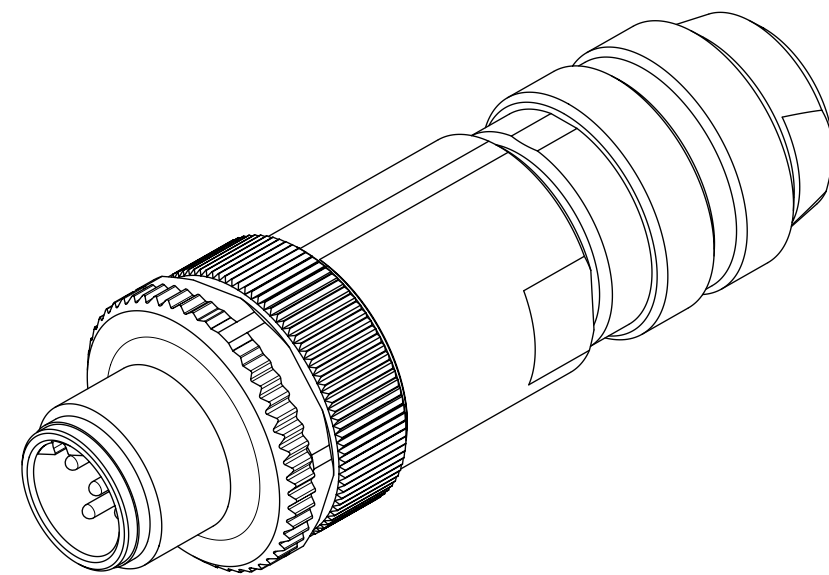
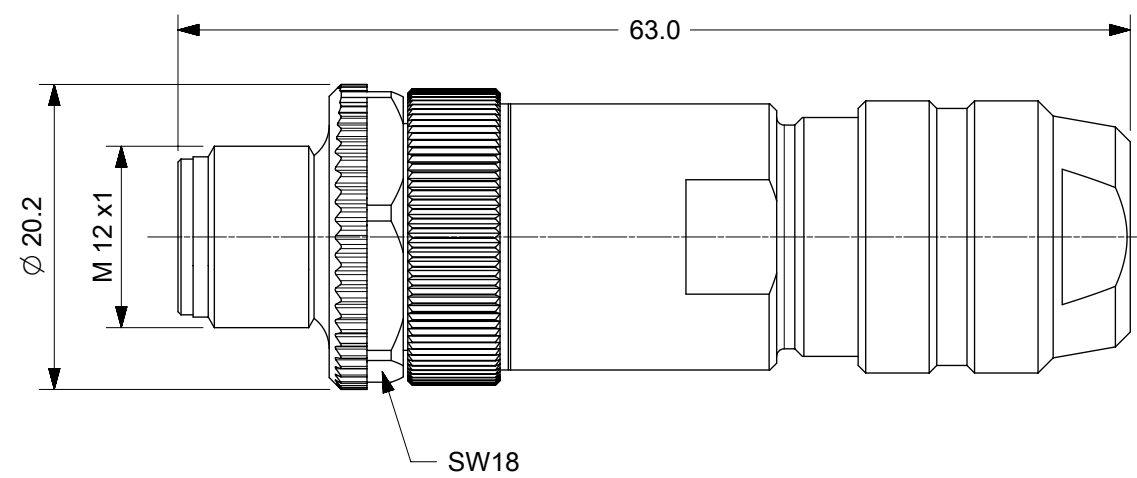
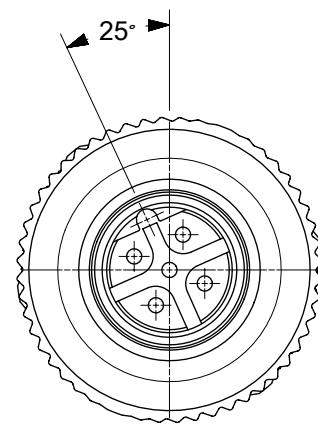
1	NOT USED
2	GREEN (BUS-A)
3	NOT USED
4	RED (BUS-B)
5	SHIELD

WIRING CHART

ITEM	COMPONENT	MATERIAL	FINISH
1	INSERT	NYLON	BLACK
2	CONTACTS	COPPER ALLOY	SILVER PLATED
3	O-RING	NITRILE	BLACK
4	COUPLING NUT	BRASS	NICKEL PLATED
5	GROOMET	NITRILE	BLACK
6	BODY	BRASS	NICKEL PLATED
7	SLEEVE	BRASS	NICKEL PLATED
8	GROOMET	NITRILE	BLACK
9	STRAIN RELIEF	NYLON	WHITE
10	BODY	BRASS	NICKEL PLATED

VOLTAGE RATING	250VAC/VDC
AMPERAGE RATING	4 AMPS
PROTECTION	IP67
OPERATING TEMPERATURE	-25°C TO 90°C

CHANGE COLOR #3&9 EC NO: WNA2012-0118 DRWN: TWOLDEGE 8/25/11 CHKD: BWOODMAN APPR: JFMURPHY 2009/08/28	QUALITY SYMBOL ▽=0 ▽=0	GENERAL TOLERANCES (UNLESS SPECIFIED)		DIMENSION STYLE IN/MM		SCALE 1:1	DESIGN UNITS INCH	THIRD ANGLE PROJECTION		
			mm	INCH	DRAWN BY TWOLDEGE	DATE 2009/08/27	TITLE M12 5P MALE ATTACHABLE PROFIBUS SHIELDED CABLE RANGE .16\"-0.32\"			
		4 PLACES	±---	±---	CHECKED BY	DATE 2009/08/27				
		3 PLACES	±.005	±.005	APPROVED BY JFMURPHY		DATE 2009/08/28	MOLEX INCORPORATED		SHEET NO. 1 OF 1
2 PLACES	±.013	±.010	MATERIAL NO. 1201000002		DOCUMENT NO. SD-120100-002					
1 PLACE	±.025	±.020	DRAFT WHERE APPLICABLE MUST REMAIN WITHIN DIMENSIONS		THIS DRAWING CONTAINS INFORMATION THAT IS PROPRIETARY TO MOLEX INCORPORATED AND SHOULD NOT BE USED WITHOUT WRITTEN PERMISSION					



PRE-RELEASE
REFERENCE
USE ONLY

NOTES:

1. LOCKING SYSTEM: SCREW
WIRE GAUGE: 0.75mm²
CABLE OUTLET: 6,5 - 8,5mm
2. ELECTRICAL DATA:
CURRENT RATING: 4A
VOLTAGE RATING: 60V
3. MECHANICAL:
OPERATING TEMP.: -40°C to +85°C
PROTECTION CLASS: IP67
4. MATERIAL:
CONTACT: CuZn (BRASS)
CONTACT PLATING: Au (GOLD)
HOUSING: zinc die cast
COUPLING NUT: CuZn (BRASS)

ENG.-NO: BA5S06-32

THIS DRAWING CONTAINS INFORMATION THAT IS PROPRIETARY TO MOLEX ELECTRONIC TECHNOLOGIES, LLC AND SHOULD NOT BE USED WITHOUT WRITTEN PERMISSION											
QUALITY SYMBOLS	EC NO: 107393 DRWN: LRAMAMURTHY CHK'D: REV / APPR:	2016/08/10	GENERAL TOLERANCES (UNLESS SPECIFIED)		DIMENSION UNITS	SCALE	molex FA M12 PRO 5P BC MA STR SCR SHLD				
			ANGULAR TOL ± 1.0 °		MM						
▽ = 0	A3	REV	4 PLACES	±	DRWN BY	DATE	PRODUCT CUSTOMER DRAWING				
▽ = 0			3 PLACES	±	KGRUEDL	2015/11/25					
▽ = 0			2 PLACES	± 0.05	CHK'D BY	DATE	SERIES MATERIAL NUMBER CUSTOMER				
▽ = 0			1 PLACE	± 0.3	CBRUNS	2016/04/08					
▽ = 0			0 PLACES	± 0.5	DRAFT WHERE APPLICABLE MUST REMAIN WITHIN DIMENSIONS	DRAWING SIZE	THIRD ANGLE PROJECTION	DOCUMENT NUMBER	DOC TYPE	DOC PART	SHEET NUMBER
▽ = 0						A3		1201000002	PSD	000	1 OF 1

X-ON Electronics

Largest Supplier of Electrical and Electronic Components

Click to view similar products for [Circular Metric Connectors](#) category:

Click to view products by [Molex](#) manufacturer:

Other Similar products are found below :

[600X518037X](#) [6STD15PCR99B70A](#) [8R4000A16M020](#) [8R5000A16M005](#) [1200910002](#) [1203580030](#) [1200910008](#) [1200910011](#) [1300140094](#)
[130203-0054](#) [1300140026](#) [1300150099](#) [RF-12S1N8A90DU](#) [1-3637-600-5205](#) [1612618](#) [21036836414](#) [8R4006A16M010](#) [1604232](#)
[1R3006A20M005](#) [RF-12P1N8A90DU](#) [41-40011](#) [42-00006](#) [42-01015](#) [4-22279-4](#) [4-22281-1](#) [4-22284-9](#) [43-00113](#) [43-01088](#) [43-01203](#) [41-](#)
[40013](#) [42-00008](#) [43-00343](#) [43-01026](#) [43-01162](#) [43-01173](#) [43-10000](#) [XS3P-M421-2](#) [600X518050X](#) [SACC-DSI-FS-5P-PG9-L180 SC](#)
[8R5006A16M020](#) [8R5006A16M005](#) [8R4000A16M010](#) [6-22279-3](#) [1605332](#) [N03FA03144](#) [1300140077](#) [43-16213](#) [43-01338](#) [XS2RD4265](#)
[XS2R-D426-1](#)