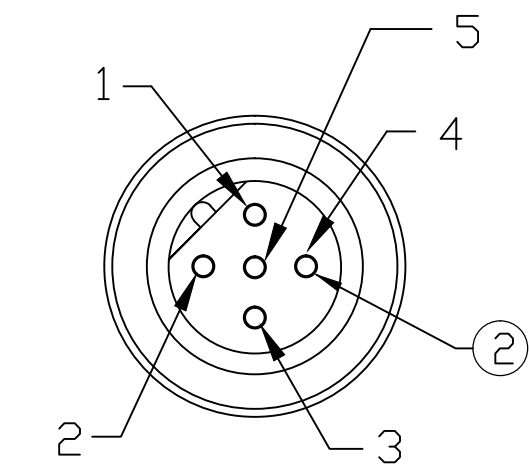
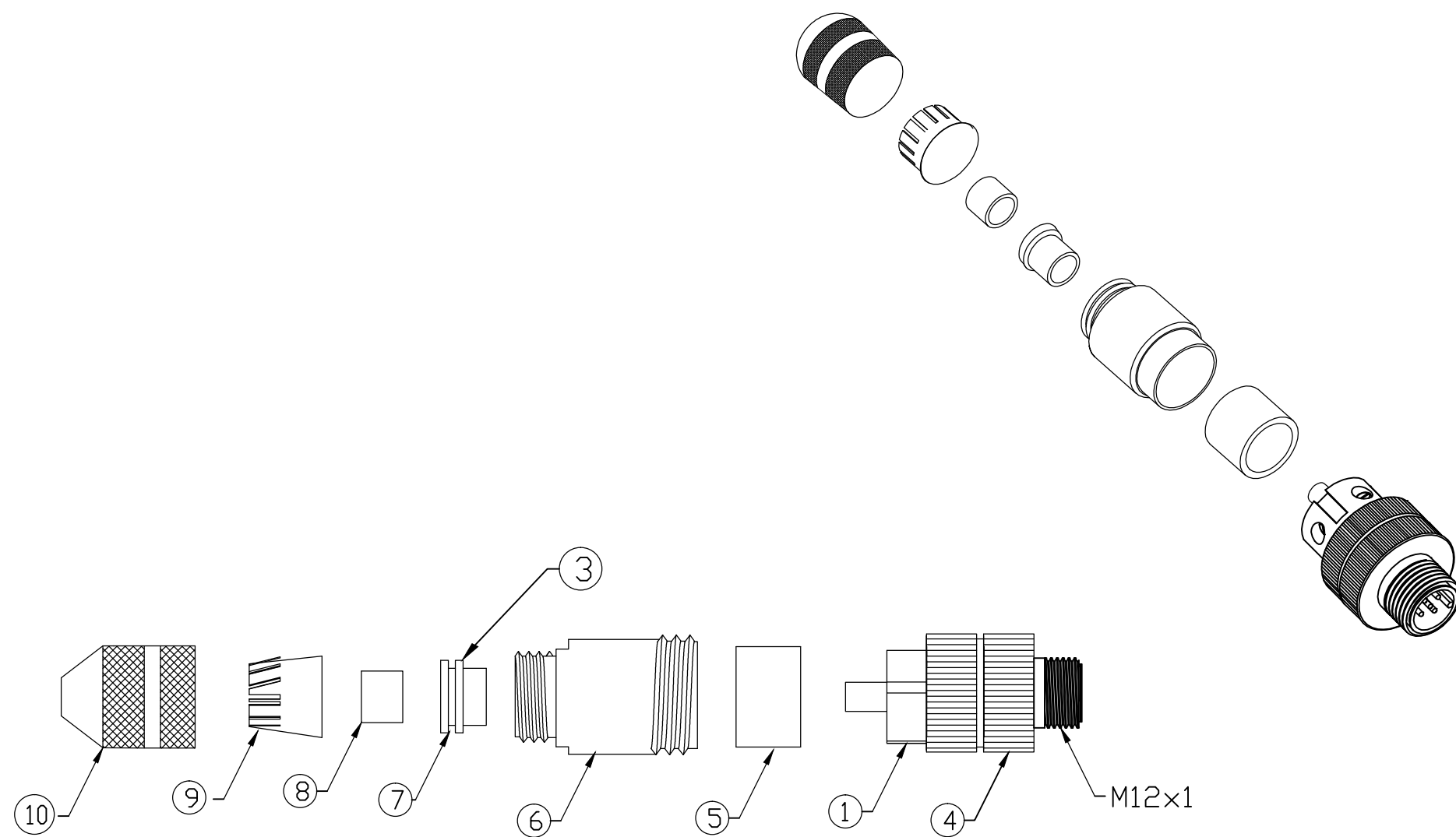
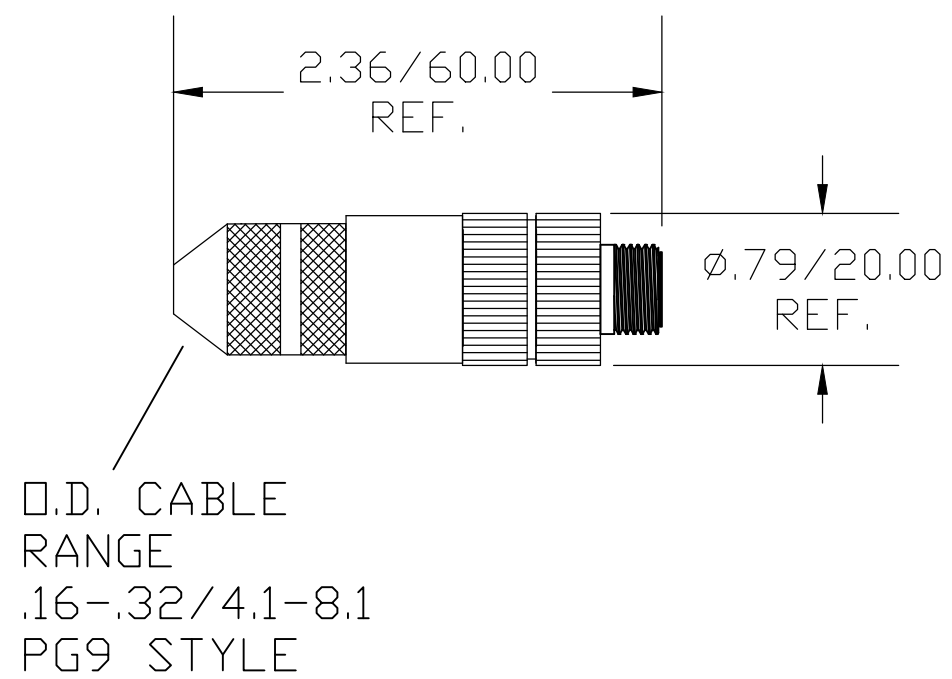


MATERIAL NUMBER	OLD PART NUMBER
120100-0002	BA5S06-32



MALE FACE VIEW

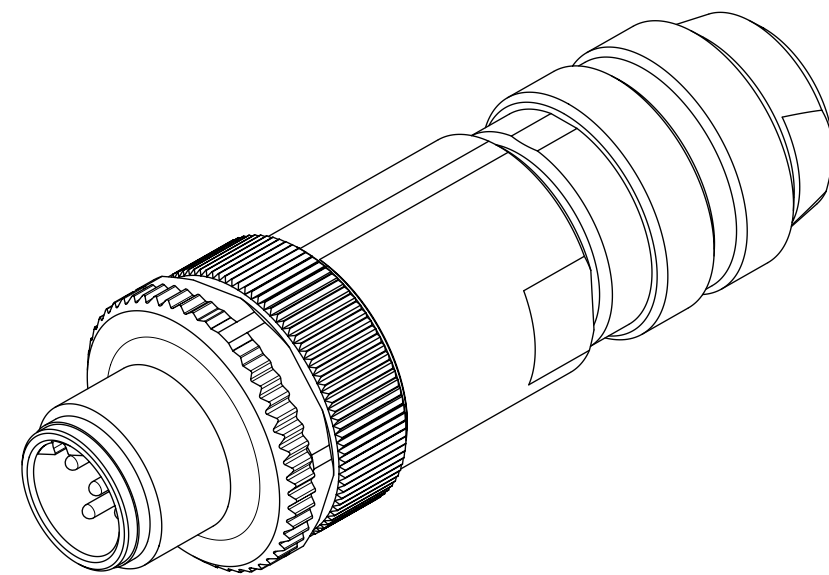
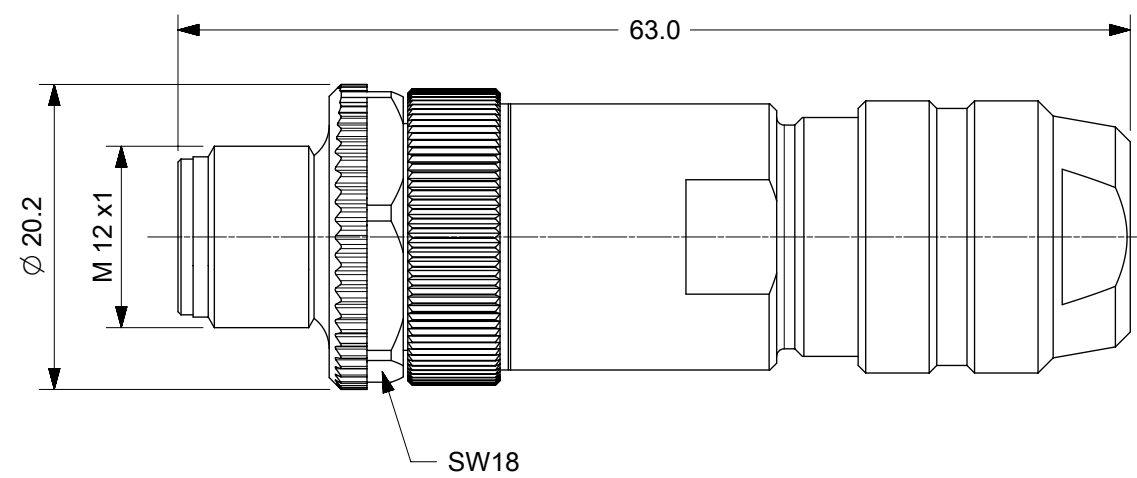
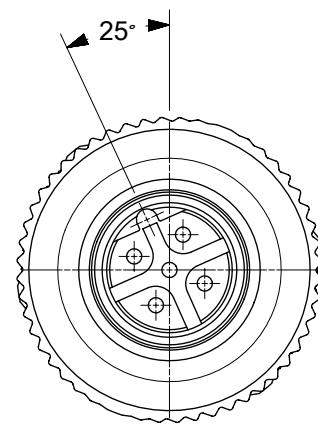
1	NOT USED
2	GREEN (BUS-A)
3	NOT USED
4	RED (BUS-B)
5	SHIELD

WIRING CHART

ITEM	COMPONENT	MATERIAL	FINISH
1	INSERT	NYLON	BLACK
2	CONTACTS	COPPER ALLOY	SILVER PLATED
3	O-RING	NITRILE	BLACK
4	COUPLING NUT	BRASS	NICKEL PLATED
5	GROOMET	NITRILE	BLACK
6	BODY	BRASS	NICKEL PLATED
7	SLEEVE	BRASS	NICKEL PLATED
8	GROOMET	NITRILE	BLACK
9	STRAIN RELIEF	NYLON	WHITE
10	BODY	BRASS	NICKEL PLATED

VOLTAGE RATING	250VAC/VDC
AMPERAGE RATING	4 AMPS
PROTECTION	IP67
OPERATING TEMPERATURE	-25°C TO 90°C

CHANGE COLOR #3&9 EC NO: WNA2012-0118 DRWN: TWOLDEGE 8/25/11 CHKD: BWOODMAN APPR: JFMURPHY 2009/08/28	QUALITY SYMBOL ▽=0 ▽=0	GENERAL TOLERANCES (UNLESS SPECIFIED)		DIMENSION STYLE IN/MM		SCALE 1:1	DESIGN UNITS INCH	THIRD ANGLE PROJECTION		
			mm	INCH	DRAWN BY TWOLDEGE	DATE 2009/08/27	TITLE <b>M12 5P MALE ATTACHABLE PROFIBUS SHIELDED CABLE RANGE .16"-.32"</b>			
		4 PLACES	±---	±---	CHECKED BY BWOODMAN	DATE 2009/08/27				
		3 PLACES	±.005	±.005	APPROVED BY JFMURPHY	DATE 2009/08/28	MOLEX INCORPORATED			
2 PLACES	±.013	±.010	MATERIAL NO. 1201000002		DOCUMENT NO. SD-120100-002		SHEET NO. 1 OF 1			
1 PLACE	±.025	±.020	DRAFT WHERE APPLICABLE MUST REMAIN WITHIN DIMENSIONS		THIS DRAWING CONTAINS INFORMATION THAT IS PROPRIETARY TO MOLEX INCORPORATED AND SHOULD NOT BE USED WITHOUT WRITTEN PERMISSION					



PRE-RELEASE  
REFERENCE  
USE ONLY

NOTES:

1. LOCKING SYSTEM: SCREW  
WIRE GAUGE: 0.75mm<sup>2</sup>  
CABLE OUTLET: 6,5 - 8,5mm
2. ELECTRICAL DATA:  
CURRENT RATING: 4A  
VOLTAGE RATING: 60V
3. MECHANICAL:  
OPERATING TEMP.: -40°C to +85°C  
PROTECTION CLASS: IP67
4. MATERIAL:  
CONTACT: CuZn (BRASS)  
CONTACT PLATING: Au (GOLD)  
HOUSING: zinc die cast  
COUPLING NUT: CuZn (BRASS)

ENG.-NO: BA5S06-32

THIS DRAWING CONTAINS INFORMATION THAT IS PROPRIETARY TO MOLEX ELECTRONIC TECHNOLOGIES, LLC AND SHOULD NOT BE USED WITHOUT WRITTEN PERMISSION											
<b>QUALITY SYMBOLS</b> ▽ = 0 ▽ = 0 ▽ = 0 ▽ = 0 ▽ = 0 ▽ = 0 ▽ = 0 ▽ = 0 ▽ = 0 ▽ = 0 ▽ = 0	EC NO: 107393 DRWN: LRAMAMURTHY CHK'D: REV / APPR:	2016/08/10 2016/04/08	GENERAL TOLERANCES (UNLESS SPECIFIED)		DIMENSION UNITS	SCALE					
			ANGULAR TOL ± 1.0 °		MM						
			4 PLACES ±	DRWN BY	DATE	FA M12 PRO 5P BC MA STR SCR SHLD					
			3 PLACES ±	KGRUEDL	2015/11/25						
2 PLACES ± 0.05	CHK'D BY	DATE	PRODUCT CUSTOMER DRAWING								
1 PLACE ± 0.3	APPR BY	DATE									
0 PLACES ± 0.5	CBRUNS	2016/04/08	SERIES	MATERIAL NUMBER	CUSTOMER						
DRAFT WHERE APPLICABLE MUST REMAIN WITHIN DIMENSIONS			DRAWING SIZE	THIRD ANGLE PROJECTION	120100	1201000002	GENERAL MARKET				
A3	A3		DOCUMENT NUMBER	DOC TYPE	DOC PART	SHEET NUMBER					
			1201000002	PSD	000	1 OF 1					

## X-ON Electronics

Largest Supplier of Electrical and Electronic Components

*Click to view similar products for [Molex manufacturer:](#)*

Other Similar products are found below :

[1201140065](#) [90814-0008](#) [38210-0105](#) [60506-C-50](#) [69008-0971](#) [73108](#) [79516-1043](#) [72903](#) [2002181200](#) [0982660216](#) [68301-1017](#)  
[03-12-1016](#) [71506-C](#) [90835-0003](#) [02-09-8104](#) [880504](#) [67490-3220](#) [53254-0710](#) [70984-4008](#) [03-12-2022](#) [89674-0805](#) [514412093](#)  
[0151340501](#) [54596-1010](#) [0191310031](#) [503308-4410](#) [02-09-6102](#) [0039000218](#) [89762-1582](#) [0011404526](#) [00136](#) [0022173102](#) [0026615060](#)  
[CR4006A30M003](#) [0039532085](#) [58098-0628](#) [0003092041](#) [0008520123](#) [0011030025](#) [0011184017](#) [0022162060](#) [0039302050](#) [0194180018](#)  
[01312](#) [M15730061](#) [61432](#) [6150300002](#) [CS63W64](#) [CS8264N](#) [CS8365N](#)