

PLEASE CHECK WWW.MOLEX.COM FOR LATEST PART INFORMATION

Part Number: [0190190037](#)
Status: **Active**
Overview: Standard Quick-Disconnect Terminals
Description: Avikrimp™ Quick Disconnect, Female, for 10-12 (5.00-3.30mm²) Wire, Box, Tab 6.35 x 0.81mm

Documents:

[Drawing \(PDF\)](#) [Product Specification PS-19902-014 \(PDF\)](#)
[Product Specification PS-19902-011 \(PDF\)](#) [RoHS Certificate of Compliance \(PDF\)](#)
[Product Specification PS-19902-013 \(PDF\)](#)

Agency Certification

CSA LR18689
 UL E79133

General

Product Family Quick Disconnects
 Series [19019](#)
 Crimp Quality Equipment Yes
 Insulated Partial
 MolexKits Yes
 Overview [Standard Quick-Disconnect Terminals](#)
 Product Name Avikrimp™
 Type Quick Disconnect
 UPC 800753038332

Physical

Barrel Type Closed
 Color - Resin Yellow
 Flammability 94V-2
 Gender Female
 Glow-Wire Compliant No
 Insulation Nylon (PA)
 Lock to Mating Part None
 Material - Metal Brass
 Material - Plating Mating Tin
 Material - Plating Termination Tin
 Net Weight 1.718/g
 Orientation Straight
 Packaging Type Bag
 Polarized to Mating Part No
 Tab Thickness 0.81mm
 Tab Width 6.35mm
 Temperature Range - Operating -65°C to +105°C
 Wire Insulation Diameter 5.70mm max.
 Wire Size AWG 10, 12

Electrical

Voltage - Maximum 300V

Solder Process Data

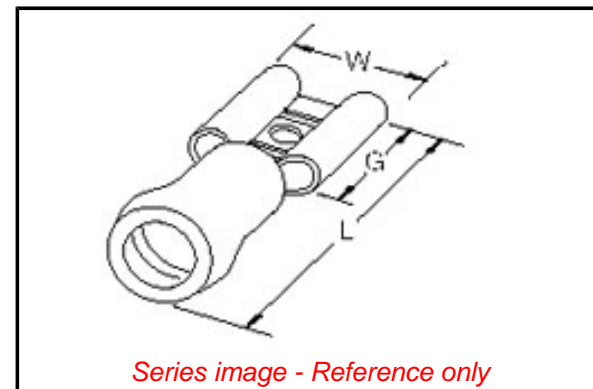
Lead-freeProcess Capability N/A

Material Info

Old Part Number C-8143

Reference - Drawing Numbers

Product Specification PS-19902-011, PS-19902-013, PS-19902-014



EU ELV

Not Relevant

EU RoHS

Compliant

REACH SVHC

Not Contained Per -
 ED/108/2014 (17 Dec
 2014)

Halogen-Free

Status

Low-Halogen

Need more information on product environmental compliance?

Email productcompliance@molex.com
 Please visit the [Contact Us](#) section for any non-product compliance questions.

China ROHS

ELV

Green Image

Not Relevant

Search Parts in this Series

[19019 Series](#)

Application Tooling | FAQ

Tooling specifications and manuals are found by selecting the products below. Crimp Height Specifications are then contained in the Application Tooling Specification document.

Global

Description	Product #
PremiumGrade™ Hand Crimp Tool	0640010200
Crimp Head for the AT-200™ Pneumatic Hand Tool	0640050200

This document was generated on 03/08/2016

PLEASE CHECK WWW.MOLEX.COM FOR LATEST PART INFORMATION

X-ON Electronics

Largest Supplier of Electrical and Electronic Components

Click to view similar products for [Molex manufacturer:](#)

Other Similar products are found below :

[1201140065](#) [47632-3000](#) [11-24-1109](#) [130110-0004](#) [11170334](#) [11404919](#) [15800169](#) [210200207](#) [11405341](#) [11210115](#) [11404599](#)
[1060043388](#) [11170336](#) [11184843](#) [11241228](#) [11404918](#) [38001344](#) [595885000](#) [622018618](#) [845901014](#) [747360213](#) [625000212](#) [716612130](#)
[690372163](#) [210200257](#) [387212221](#) [63827-1500](#) [1062837003](#) [383304708](#) [395011506](#) [0533241060](#) [09623102](#) [445600022](#) [387700311](#)
[26482083](#) [387240805](#) [26612030](#) [395040607](#) [387403106](#) [874381042](#) [395311509](#) [191980071](#) [398800105](#) [676430930](#) [82-24-5910](#)
[1061052100](#) [734155590](#) [459705715](#) [757830349](#) [887418320](#)