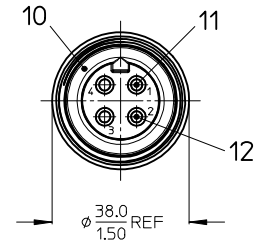
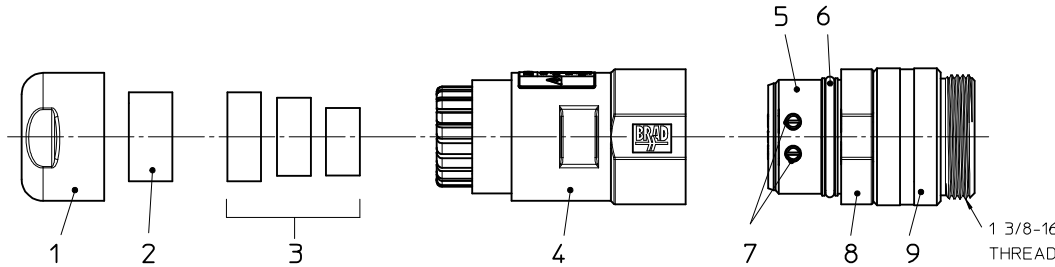
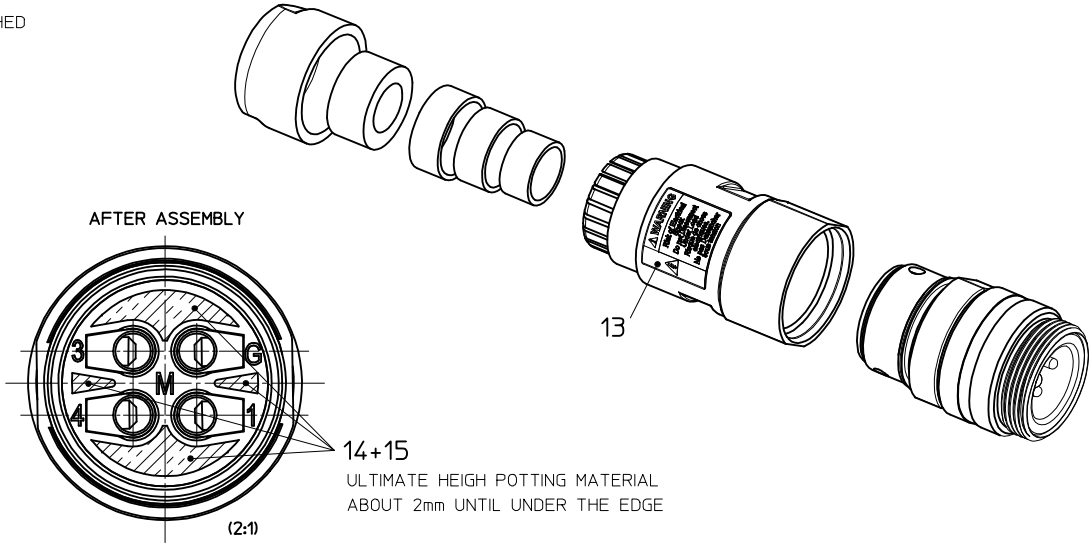
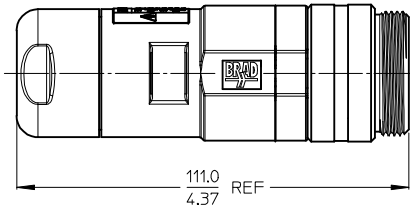


NOTES:

1. MATERIAL: SEE TABLE
2. FINISHES: SEE TABLE
3. PACKAGING: PART IS PACKED IN CLEAR POLY BAG WITH BARCODE LABEL ATTACHED
4. MATES WITH: BRAD FEMALE RECEPTACLE
5. WIRE RANGE: 8 AWG - 14 AWG (10mm² - 2.5mm²)
6. CABLE OD RANGE: .48 - .81 (12.2mm - 20.6mm)
7. ELECTRICAL SPECIFICATIONS:
 VOLTAGE RATING: 600V AC
 CURRENT RATING:
 8 AWG - 32 AMPS
 10 AWG - 32 AMPS **(B)**
 12 AWG - 20 AMPS
 14 AWG - 15 AMPS
8. ENVIRONMENTAL PROTECTION: IP67, IP69K



ITEM	COMPONENT	MATERIAL	FINISH
1	NUT M32	PA66	BK
2	GASKET MO 14,8x12,25	CR	GY
3	GASKETS MO (SMALL,MEDIUM,LARGE)	CR	BK
4	HOUSING FA M32	PA66	BK
5	INSERT ADAPTER	PA66	BK
6	GASKET OR 29x2,5	NBR	BK
7	SCREW M4x10	V2A	-
8	COUPLING RING	PA66	BK
9	NUT, INTERNAL THREAD	AL	AN (NATUR)
10	INSERT AC	PVC	-
11	CONTACT MA	CU ALLOY	AU PLATED
12	CONTACT MA LEAD, PIN	CU ALLOY	AU PLATED
13	WARNING LABEL	PLASTIC FILM	-
14	POTTING MATERIAL	WEVO RESIN PU 552 FL NATUR 50	-
15	MPIS RESIN HARDNER	-	-

MATERIAL NO.	ENGINEERING NO.
1300700024 (FINISHED PART)	CA4006-39
1203360005 (PRE-ASSEMBLED)	1930 00090 08004

CURRENT WAS 25 AMPS EC NO: IFC2017-0717 DRAWN BY: DRWINRSTONE 2017/01/26 CHKD BY: CHIKDK LOX 2017/01/30 APPR: BWOODMAN 2017/02/04 REV: B	QUALITY SYMBOLS ▽=0 ▽=0	GENERAL TOLERANCES (UNLESS SPECIFIED) <table border="1"> <tr> <th></th> <th>mm</th> <th>INCH</th> </tr> <tr> <td>4 PLACES</td> <td>± .005</td> <td>± .0005</td> </tr> <tr> <td>3 PLACES</td> <td>± .005</td> <td>± .0005</td> </tr> <tr> <td>2 PLACES</td> <td>± .005</td> <td>± .001</td> </tr> <tr> <td>1 PLACE</td> <td>± 0.3</td> <td>± .012</td> </tr> <tr> <td>0 PLACE</td> <td>± .005</td> <td>± .0005</td> </tr> </table> ANGULAR ±1/2° DRAFT WHERE APPLICABLE MUST REMAIN WITHIN DIMENSIONS		mm	INCH	4 PLACES	± .005	± .0005	3 PLACES	± .005	± .0005	2 PLACES	± .005	± .001	1 PLACE	± 0.3	± .012	0 PLACE	± .005	± .0005	DIMENSION STYLE MM/IN DRAWN BY: RSCHIEBER DATE: 2012/10/15 CHECKED BY: APOHL DATE: 2012/10/24 APPROVED BY: CBURGER DATE: 2013/06/03	SCALE: 1:1 DESIGN UNITS: METRIC THIRD ANGLE PROJECTION
		mm	INCH																			
	4 PLACES	± .005	± .0005																			
	3 PLACES	± .005	± .0005																			
2 PLACES	± .005	± .001																				
1 PLACE	± 0.3	± .012																				
0 PLACE	± .005	± .0005																				
TITLE: FA 4P AC MA STR UNSH																						
SEE CHART		DOCUMENT NO. SD-120336-002																				
THIS DRAWING CONTAINS INFORMATION THAT IS PROPRIETARY TO MOLEX INCORPORATED AND SHOULD NOT BE USED WITHOUT WRITTEN PERMISSION				SHEET NO. 1 OF 1																		

X-ON Electronics

Largest Supplier of Electrical and Electronic Components

Click to view similar products for [Standard Circular Connector](#) category:

Click to view products by [Molex](#) manufacturer:

Other Similar products are found below :

[5M2530B10P](#) [600259N006](#) [600273N007](#) [6134-336-13149](#) [6134-337-11149](#) [6134-337-2390](#) [6134-341-17149](#) [6280-4SG-516](#) [6280-7SG-3DC](#)
[6290](#) [6291A](#) [66200A-10](#) [680-SMG](#) [681-PMG](#) [CXS3102A14S2P](#) [CXS3102A181S](#) [7271-6SG-300](#) [7282-3PG-300-CH3](#) [75-474014-05S](#) [75-](#)
[474618-01S](#) [75-474618-04P](#) [75-474618-04S](#) [799539-000](#) [MI8-SE](#) [805-005-07NF11-19PC](#) [805-005-07NF15-7PA](#) [8280-4PG-516](#) [8280-7PG-](#)
[519](#) [8282-5PG-519](#) [836783-1](#) [MP-4102-25P-C](#) [862256-1](#) [864019-2](#) [866857-1](#) [867865-1](#) [PT01SP-14-18P](#) [PT08P-14-5S](#) [120-1833-000](#)
[QCM019PC2DC012B](#) [1-2069279-1](#) [121583-0217](#) [121667-0020](#) [129591AU](#) [1000B BULK](#) [RD10A16-19-P6CS051/1](#) [RD10A20-31-](#)
[P8CS051/1](#) [RD16A14-12-S6CS051/2](#) [1301240290](#) [1301240347](#) [1301860202](#) [1301240268](#)