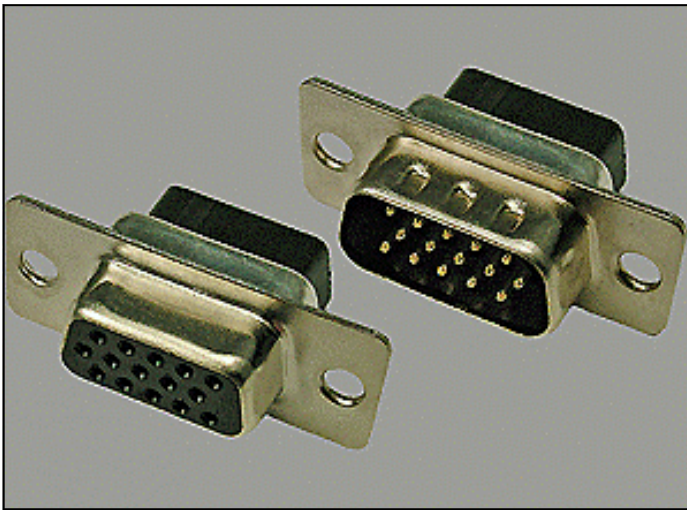
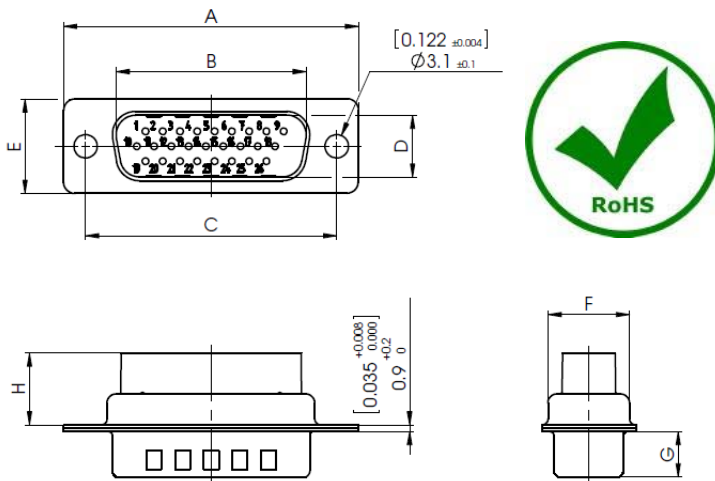


High Density D-Sub's Crimp & Poke Style

with internal metal contact retention clip rings



Pin Connector Example



Number of Contacts Polzahl	A ±0,4 (±0.016)	B +0,2 (+0.008)	C ±0,15 (±0.006)	D +0,2 (+0.008)	E ±0,4 (±0.016)	F ±0,3 (±0.012)	G -0,3 (-0.012)	H
15	30,8 (1.213)	16,9 (0.665)	25,0 (0.984)	8,2 (0.323)	12,5 (0.492)	10,8 (0.425)	6,1 (0.240)	8,95 (0.352)
26	39,1 (1.539)	25,2 (0.992)	33,3 (1.311)	8,2 (0.323)	12,5 (0.492)	10,8 (0.425)	6,1 (0.240)	8,95 (0.352)
44	53,0 (2.087)	38,9 (1.531)	47,04 (1.852)	8,2 (0.323)	12,5 (0.492)	10,8 (0.425)	6,0 (0.236)	8,95 (0.352)
62	69,3 (2.728)	55,3 (2.177)	63,5 (2.500)	8,2 (0.323)	12,5 (0.492)	10,8 (0.425)	6,0 (0.236)	8,95 (0.352)
78	66,9 (2.634)	52,8 (2.079)	61,1 (2.406)	11,0 (0.433)	15,4 (0.606)	13,7 (0.539)	6,0 (0.236)	9,50 (0.374)

FCT Electronics High Density D-Sub Connector range includes Crimp & Poke connectors that have internal metal contact retention clip rings.

This feature provides a minimum pull out force of 9lbs as required by MIL-DTL-24308, and a higher end user life cycle for applications where field contact replacement or repair is a common requirement.

Shell Size	Plug	Socket
1	CT09-15P7	CT09-15S7
2	CT15-26P7	CT15-26S7
3	CT25-44P7	CT25-44S7
4	CT37-62P7	CT37-62S7
5	CT50-78P7	CT50-78S7

FCT HD C&P Plug connectors can be supplied without ground dimples by adding a suffix -K121 to the end of the part #. Stainless Steel versions are available with the suffix -A300 at the end of the part #. (e.g. CT09-15P7-A300) Stainless Steel Plugs have no dimples as standard.

FCT supplies the required pin and socket contacts with several standard gold plating thickness options.

FK22PL-02V...	0,2 μm (8 microinches)	Pin
FK22SL-02V...	0,2 μm (8 microinches)	Socket
FK22PL-08V...	0,8 μm (31 microinches)	Pin
FK22SL-08V...	0,8 μm (31 microinches)	Socket
FK22PL-13V...	1,3 μm (51 microinches)	Pin
FK22SL-13V...	1,3 μm (51 microinches)	Socket
M39029/58-360	1,3 μm (51 microinches)	Pin
M39029/57-354	1,3 μm (51 microinches)	Socket

FCT Electronics, is a leading manufacturer of D-Sub Connectors and Accessories for various applications. More product details can be found in FCT's full line catalogs or on the company's

X-ON Electronics

Largest Supplier of Electrical and Electronic Components

Click to view similar products for [D-Sub High Density Connectors](#) category:

Click to view products by [Molex](#) manufacturer:

Other Similar products are found below :

[97-3250-11](#) [163A16809X](#) [163A17089X](#) [164A17199X](#) [242A25680X](#) [L717HDB44POL2R210](#) [L717HDEH15POL2](#) [L777HDE15P](#)
[L77HDE15SC309](#) [163A16759X](#) [163A16839X](#) [163A16989X](#) [163A17079X](#) [164A17329X](#) [164A18219X](#) [241A16440X](#) [241A16550X](#)
[241A16680X](#) [241A20810X](#) [241A25740X](#) [CT25-44P](#) [MDBE15PE766](#) [L177HDE15SOL2RM23](#) [L177HRC62S](#) [L177HRC62SVFM](#)
[L177HRCG62S](#) [L717HDEG15POL2RM5](#) [L77HDA26SVF](#) [L77HDE15SD1CO](#) [L77HDEH15SOL2RM832](#) [443895-3](#) [106698-1](#) [280-012K2C](#)
[L177HRB44S](#) [164A17039X](#) [09562004701510](#) [164A17969X](#) [L777HRC62P](#) [241A17960X](#) [164A18269X](#) [280-019S1S9MEN](#) [L777HDEG15P](#)
[280-018P3S25MEGN](#) [206504-2](#) [40-9515HDSP](#) [2057140-1](#) [C115370-6002](#) [DFMA104SNMBFR172FR022](#) [HDC9F200E2S](#) [M24308/4-265](#)