

6

5

4

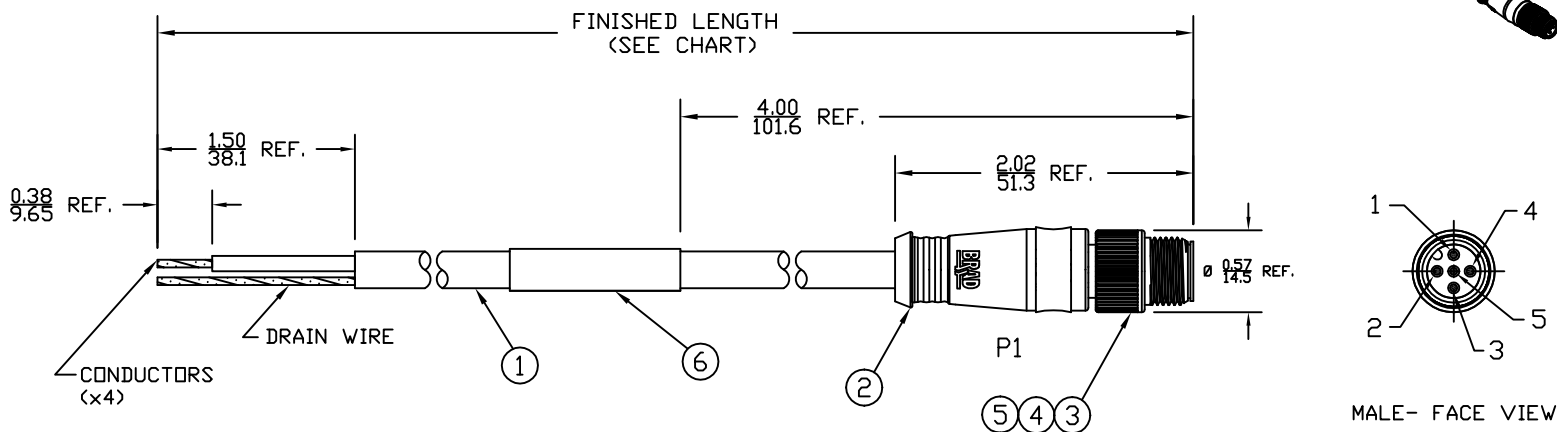
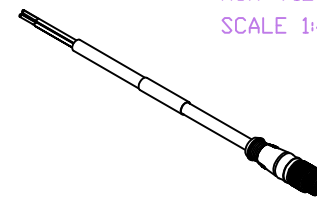
3

2

1

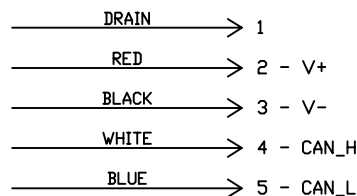
PART NUMBER	ENGINEERING NO.	LENGTH ± TOLERANCE
1300270012	DND02A-M010	3' 3" +2.19"/-0" [ 1M +55.6/-0 mm ]
1300270015	DND02A-M030	9' 10" +3.50"/-0" [ 3M +88.9/-0 mm ]
1300270017	DND02A-M050	16' 5" +6.50"/-0" [ 5M +165.1/-0 mm ]

AUX VIEW  
SCALE 1:4



SCHEMATIC

P1



NOTES:

- 1) MATERIAL: SEE TABLE
- 2) FINISHES: SEE TABLE
- 3) CABLE: #22/4 + DRAIN, DEVICENET THIN  
EACH PAIR: SHIELDED, TWISTED  
OVERALL: SHIELDED, PVC
- 4) ELECTRICAL DATA:  
MAX. VOLTAGE: 250V AC/DC  
MAX. CURRENT 4A
- 5) ENVIRONMENTAL:  
PROTECTION IP67  
TEMPERATURE RANGE: -20°C TO 80°C
- 6) WRAP LABEL IS MARKED WITH P/N, DATE CODE,  
VOLTAGE & AMPERAGE.
- 7) ASSEMBLY IS RoHS COMPLIANT.

ITEM	QTY.	DESCRIPTION	MATERIAL	FINISH
6	1	LABEL	PLASTIC FILM	BLACK/YELLOW
5	1	INSERT	NYLON	BLACK
4	5	PIN CONTACT	COPPER ALLOY	GOLD PLATED
3	1	M12 COUPLING NUT	ZINC DIE-CAST	BLACK
2	1	OVERMOLD	PVC	GRAY
1	1	DEVICENET CABLE	PVC JACKET	GRAY

SD RELEASE EC NO: WNA2010-0076 7/30/09 DRWN: VOU CHKD: BWOODMAN APPR: JFMURPHY 2009/08/10	QUALITY SYMBOLS ▽=0 ▽=0	GENERAL TOLERANCES (UNLESS SPECIFIED)		DIMENSION STYLE IN/MM	SCALE 3:4	DESIGN UNITS INCH	THIRD ANGLE PROJECTION	
		4 PLACES	±----	±----	DRAWN BY VOU	DATE 2009/07/30	TITLE M12 DEVICENET CABLE ASSY 5P MALE STRAIGHT #22/4 SHLD PVC -THIN STD	
		3 PLACES	±----	±0.05	CHECKED BY BWOODMAN	DATE 2009/07/31	MOLEX INCORPORATED	
		2 PLACES	±----	±0.10	APPROVED BY	DATE	DOCUMENT NO. SD-130027-001	
1 PLACE	±----	±0.20	ANGULAR ±1/2°		SHEET NO. 1 OF 1			
DRAFT WHERE APPLICABLE MUST REMAIN WITHIN DIMENSIONS				SEE CHART	THIS DRAWING CONTAINS INFORMATION THAT IS PROPRIETARY TO MOLEX INCORPORATED AND SHOULD NOT BE USED WITHOUT WRITTEN PERMISSION			

6

5

4

3

2

1

## X-ON Electronics

Largest Supplier of Electrical and Electronic Components

*Click to view similar products for [Ethernet Cables / Networking Cables](#) category:*

*Click to view products by [Molex](#) manufacturer:*

Other Similar products are found below :

[0152660053](#) [73-7797-25](#) [73-8890-10](#) [73-8890-14](#) [73-8891-14](#) [73-8891-25](#) [73-8892-50](#) [73-8894-10](#) [73-8894-3](#) [73-8895-14](#) [73-8896-7](#)  
[MCJB2-10P6Q7-120](#) [84909-0204](#) [1200650742](#) [1200700174](#) [1200860368](#) [1200650013](#) [1201080008](#) [1-21919-1](#) [1300500373](#) [1300101844](#)  
[1300101845](#) [130050-0004](#) [1300500014](#) [1410147](#) [E16A06002M030](#) [E200102-009-S1](#) [MT14-187L](#) [17-103530](#) [NK5EPC18RDY](#)  
[NK5EPC18VLY](#) [NK5EPC18YLY](#) [NK5EPC1GRY](#) [NK5EPC30BLY](#) [NK5EPC30VLY](#) [NK5EPC30YLY](#) [NK5EPC4Y](#) [NK5EPC6YLY](#)  
[NK5EPC8BLY](#) [NK5EPC9YLY](#) [NK6PC30BUY](#) [NK6PC30GRY](#) [NK6PC30RDY](#) [NK6PC30Y](#) [NK6PC30YLY](#) [1969343-6](#) [C501100010](#)  
[C501106002](#) [C501106007](#) [C501106015](#)