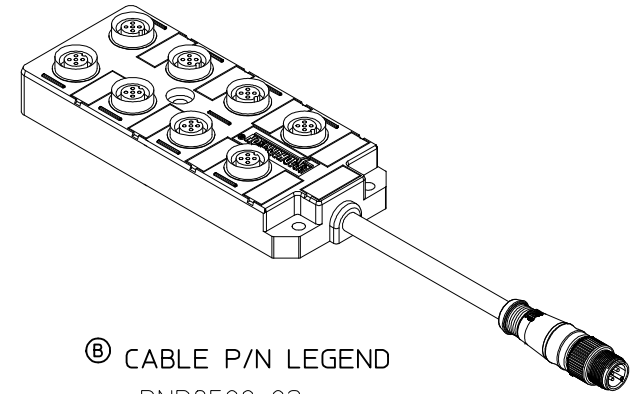


MATERIAL NUMBER	OLD PART NUMBER	FINISHED LENGTH
1300370011	DND8500-02	6' 7" +.3.50" -0 [2M +88.9 -0]
1300370012	DND8500-05	16' 5" +6.50" -0 [5M +165.0 -0]
1300370013	DND8500-M002	0' 8" +.75" -0 [.2M +19.1 -0]
1300370014	DND8500-M005	1' 8" +.75" -0 [.5M +19.1 -0]
1300370016	DND8500-03	9'10" +.3.50" -0 [3M +88.9 -0]

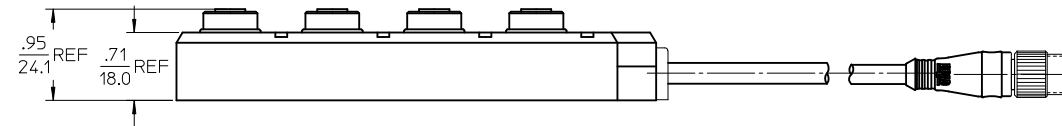
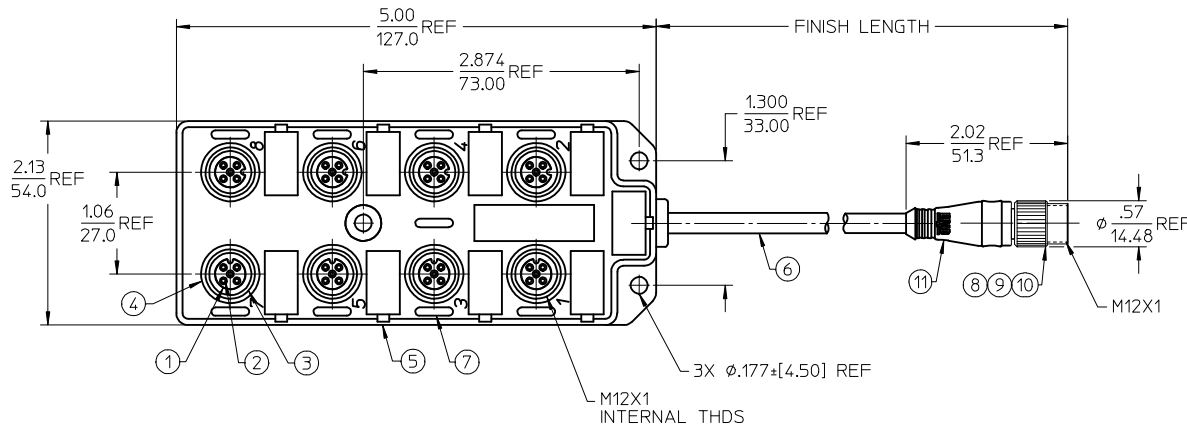
CHART

ⓑ

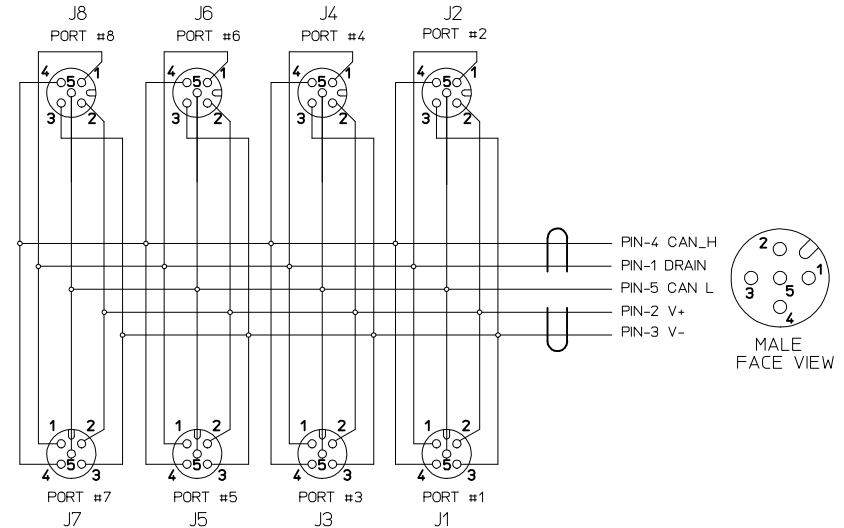


ⓑ CABLE P/N LEGEND

DND8500-02
 CABLE TYPE: DEVICE-NET DROP
 22 AWG, PVC, GRAY
 FINISHED LENGTH: -02= 2M
 M002= .2 METERS



VOLTAGE RATING	10-30 VDC
AMPERAGE RATING PER PORT	4 AMPS
PROTECTION (WHEN MATED)	IP67
OPERATING TEMPERATURE	-20°C TO 90°C



ITEM	COMPONENT	MATERIAL	FINISH
1	INSERT	NYLON	BLACK
2	CONTACT SOCKET	COPPER ALLOY	GOLD OVER NICKEL
3	O-RING	NITRILE	RED
4	RECEPTACLE SHELL	BRASS	NICKEL PLATED
5	HOUSING	PBT	GRAY
6	CABLE- DEVICENET DROP, 300V, SHLD	PVC	GRAY
7	LENS	NYLON	GRAY
8	INSERT	NYLON	BLACK
9	CONTACT PIN	COPPER ALLOY	GOLD OVER NICKEL
10	COUPLING NUT	ZINC DIE CAST	BLACK E-COATED
11	OVERMOLD	PVC	GRAY

REV	DESCRIPTION
B	ADD 3M P/N, ADD P/N LEGEND EC NO: IPG2017-0304 DRWINRSTONE 2016/09/19 CHKD: APPR:BWODMAN 2016/09/28

GENERAL TOLERANCES (UNLESS SPECIFIED)	
mm	INCH
4 PLACES ± .005	± .0004
3 PLACES ± .002	± .0001
2 PLACES ± .001	± .00005
1 PLACE ± .0005	± .00002
ANGULAR ±1/2°	

DIMENSION STYLE	
IN/MM	
DRAWN BY	DATE
BW	2009/07/27
CHECKED BY	DATE
VO	2009/07/28
APPROVED BY	DATE
JFMURPHY	2010/01/25
MATERIAL NO.	
SEE CHART	
SIZE	
C	

SCALE	DESIGN UNITS	THIRD ANGLE PROJECTION
1:10	INCH	ⓐ
TOP MOUNT 8 OUTLET TO MIC 5P DEVICENET		
MOLEX INCORPORATED		SHEET NO.
SD-130037-006		1 OF 1
THIS DRAWING CONTAINS INFORMATION THAT IS PROPRIETARY TO MOLEX INCORPORATED AND SHOULD NOT BE USED WITHOUT WRITTEN PERMISSION		

X-ON Electronics

Largest Supplier of Electrical and Electronic Components

Click to view similar products for [Power Outlet Strips](#) category:

Click to view products by [Molex](#) manufacturer:

Other Similar products are found below :

[G20IG606](#) [1301430288](#) [1301530208](#) [1302100069](#) [1301430321](#) [1301530054](#) [1447B163](#) [1585T16A1RA](#) [UL602CB-6](#) [UL7408-6](#) [ULHC4-15](#)
[V20IG606](#) [UL2063BD](#) [TSB](#) [1301530203](#) [4748.03](#) [4309](#) [UL7208-15](#) [3083](#) [3050F](#) [3090](#) [1301530132](#) [1301530117](#) [1301530164](#) [1301530050](#)
[1301530141](#) [1301430252](#) [1301530179](#) [1301530065](#) [1301350158](#) [1301530052](#) [1301530068](#) [1301530120](#) [HB0B1L4BT08W1](#)
[VB0D2B2BM30P1](#) [HA0A1D0CA10E1](#) [HA0A1M2CM10E1](#) [HA1A1D0CA10E1](#) [VB0B1L2BN24H1](#) [PN1A1C0BA10E1](#) [HA0B1E0CA1081](#)
[HA0D2U0CA1081](#) [HA0D2A0CA1081](#) [HA1D2U0CA1081](#) [HA1D2A0CA1081](#) [HB1B2J0AA10M1](#) [LZ1D2A0FA0AJ1](#) [LZ1D2P0FA0AL1](#)
[VB0B1L4CN48M1](#) [MA002](#)