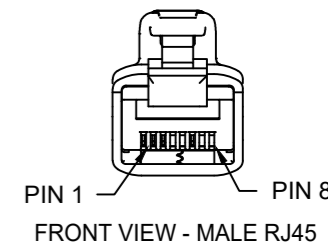
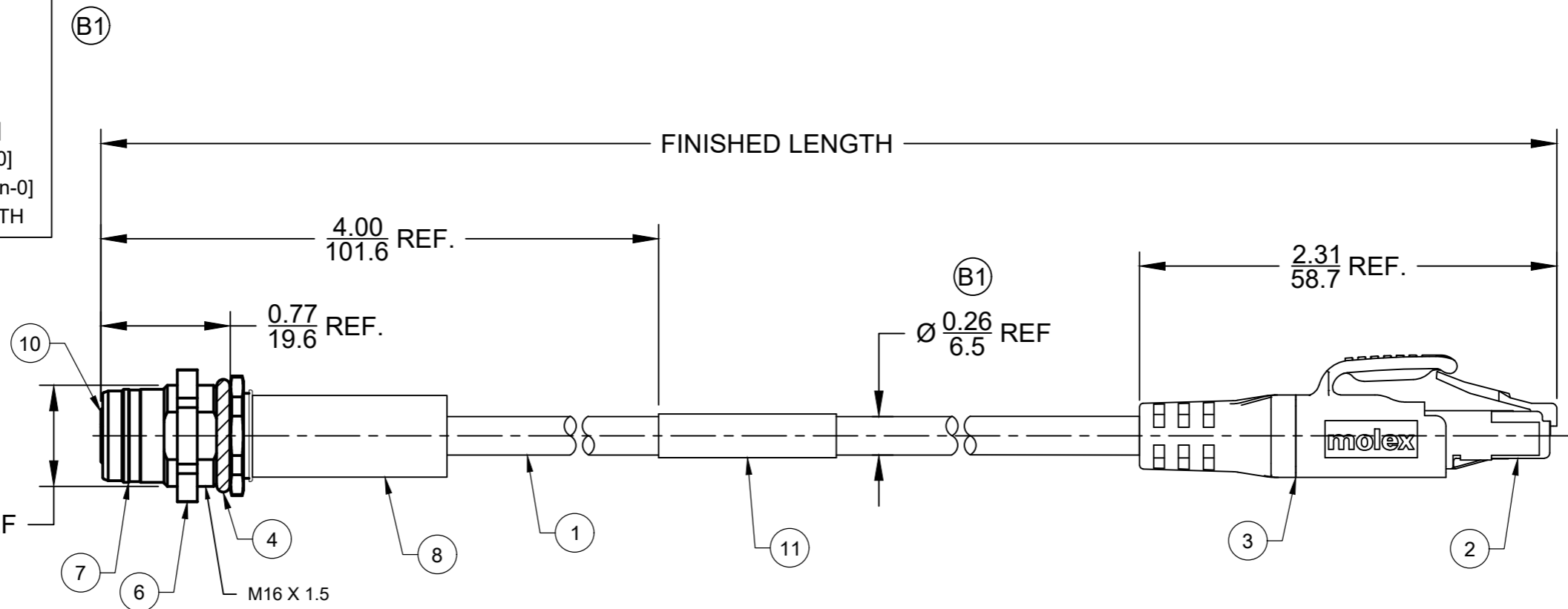
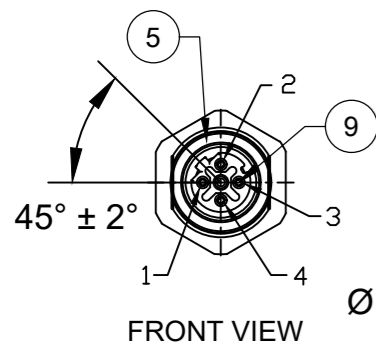


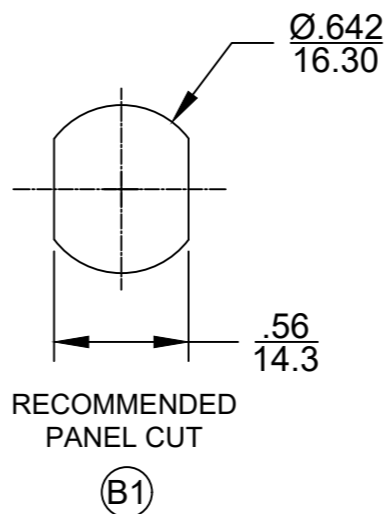
CABLE LENGTH TOLERANCES
 >.3M [1FT]: +19mm-0 [+1.75in-0]
 .3 - .9M [1 - 3FT]: +44.5mm-0 [+1.75in-0]
 .9 - 1.8M [3 - 6FT]: +55.6mm-0 [+2.19in-0]
 1.8 - 3.7M [6 - 12FT]: +88.9mm-0 [+3.50in-0]
 3.7 - 7.3M [12 - 24FT]: +165.1mm-0 [+6.50in-0]
 7.3-14.6M [24 - 48FT]: +317.5mm-0 [+12.50in-0]
 14.6 - 30.5M [48-100FT]: +622.3mm-0 [+24.50in-0]
 OVER 30M [100FT] +2% OF FINISHED LENGTH



(B1)

NOTES:
MECHANICAL:
 PROTECTION:
 IP20 RJ45 END
 IP67 M12 END
 MIC RECEPTACLE INTERNAL THREAD: M12 X 1
WRAP LABEL:
 MARKED WITH P/N, DATE CODE, VOLTAGE & AMPERAGE

CABLE TYPE
 24 AWG TPU-TEAL
ERWPAU7016M005
LENGTH
 M005 - 0.5M
 M050 - 5M
 M250 - 25M



ADDITIONAL CABLE INFORMATION

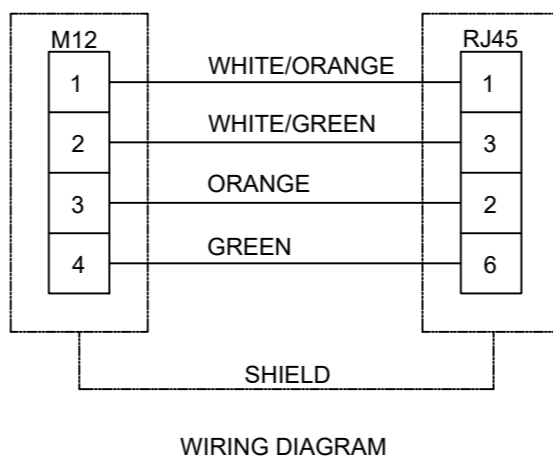
PHYSICAL CHARACTERISTICS:	
CONDUCTOR SIZE	24AWG 2 PAIR (19/0.12mm) BARE COPPER
INSULATION MATERIAL	POLYOLEFIN
SHIELD/BRAID	TINNED COPPER 85% COVERAGE
JACKET MATERIAL	TPU (TEAL)
CONDUCTOR	ORANGE, ORANGE-WHITE & GREEN, GREEN-WHITE
TAPE	ALUMINUM-POLYESTER

CABLE:

TEMPERATURE RATING (STORAGE)	-40 / +80°C
TEMPERATURE RATING (OPERATION)	-20 / +50°C
WELD SLAG RESISTANCE	YES, S-300 MOLEX TEST
FREE SUBSTANCE'S	FCKW, SILICONE, AND PB
FIRE PERFORMANCE	IEC60332-1, UL1581
OIL RESISTANCE	ISO6722, UL758/2556

ELECTRICAL
 ACCORDING TO CAT5e
 VOLTAGE RATING: 125V AC/DC
 AMPERAGE: 1.5A

ITEM	DESCRIPTION	MATERIAL	FINISH
11	WRAP ID LABEL	VINYL	BLACK/YELLOW
10	M12 FEMALE INSERT	TPU	BLACK
9	M12 SOCKET CONTACTS	COPPER ALLOY	GOLD PLATED
8	HOUSING	BRASS	NICKEL PLATED
7	FEMALE RECEPTACLE SHELL	BRASS	NICKEL PLATED
6	M16 X 1.5 PANEL NUT	BRASS	NICKEL PLATED
5	MATING O-RING	VITON	RED
4	PANEL O-RING	NBR	BLACK
3	RJ45 OVERMOLD	TPU	BLACK
2	RJ45 PLUG	POLYCARBONATE	CLEAR
1	CABLE #24-2 TP SHIELDED	TPU	TEAL



FUNCTIONAL SYMBOLS F=0 C=0 P=0	THIS DRAWING CONTAINS INFORMATION THAT IS PROPRIETARY TO MOLEX ELECTRONIC TECHNOLOGIES, LLC AND SHOULD NOT BE USED WITHOUT WRITTEN PERMISSION		CURRENT REV DESC: ADD TOLERANCE BLOCK, UPDATE INSERT MATERIAL, NOTES, UPDATE TO LATEST STANDARD, ADD PANEL CUT, ADD CABLE DIA.		molex	
	DIMENSION UNITS	SCALE				
	INCH/MM	1:1	EC NO: 639958		M12 RECEP./RJ45	
	GENERAL TOLERANCES (UNLESS SPECIFIED)		DRWN: MZIELINSKI 2020/06/19		4P M12 RECEP./RJ45 ST #24-2TP TEAL PUR CAT5E	
4 PLACES ±--- ±---		CHK'D: ALEON01 2020/06/23		PRODUCT CUSTOMER DRAWING		
3 PLACES ±--- ±---		APPR: BWOODMAN 2020/06/23		DOCUMENT NUMBER		
2 PLACES ±--- ±---		INITIAL REVISION:		SD-120108-082		
1 PLACE ±--- ±---		DRWN: MZIELINSKI 2015/05/05		DOC TYPE/DOC PART/REVISION		
0 PLACES ±--- ±---		APPR: BWOODMAN 2015/06/03		PSD 001 B1		
ANGULAR TOL ± --- °		DRAFT WHERE APPLICABLE MUST REMAIN WITHIN DIMENSIONS		MATERIAL NUMBER		
THIRD ANGLE PROJECTION		DRAWING		CUSTOMER		
B-SIZE		SERIES		SHEET NUMBER		
120108		GENERAL MARKET		1 OF 1		

X-ON Electronics

Largest Supplier of Electrical and Electronic Components

Click to view similar products for [Ethernet Cables / Networking Cables](#) category:

Click to view products by [Molex](#) manufacturer:

Other Similar products are found below :

[73-6670-7](#) [73-6680-15](#) [73-7797-25](#) [MCJB2-10P6Q7-120](#) [84909-0204](#) [1200700174](#) [1200860368](#) [E16A06002M030](#) [E200102-009-S1](#)
[AX105346-EW](#) [MT14-187L](#) [17-103530](#) [ERWPAB3002M005](#) [190-038045-01](#) [NK5EPC18RDY](#) [NK5EPC18VLY](#) [NK5EPC18YLY](#)
[NK5EPC1GRY](#) [NK5EPC4Y](#) [NK5EPC6YLY](#) [NK5EPC8BLY](#) [NK5EPC9YLY](#) [1969343-6](#) [C501100010](#) [C501106002](#) [C501106007](#)
[C501106015](#) [C501106025](#) [C601102010](#) [C601104010](#) [C601106007](#) [C601106015](#) [2142758-2](#) [2168427-2](#) [CAT1106007](#) [21949-1](#) [2J1866A](#)
[RJF SFTP 5E 0500](#) [AX100351](#) [MN14CEC/ST](#) [C501100015](#) [C501106004](#) [C501106010](#) [C5F1108007](#) [C601104004](#) [C601106004](#)
[CA21106004](#) [CA21106010](#) [CA21106015](#) [CA21109007](#)