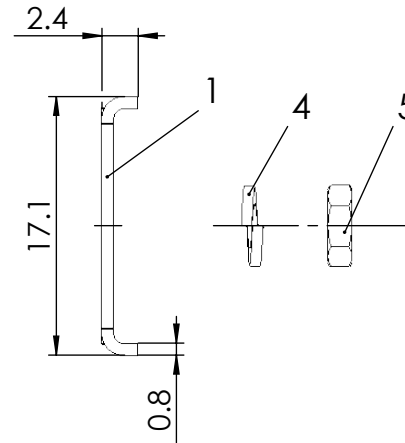
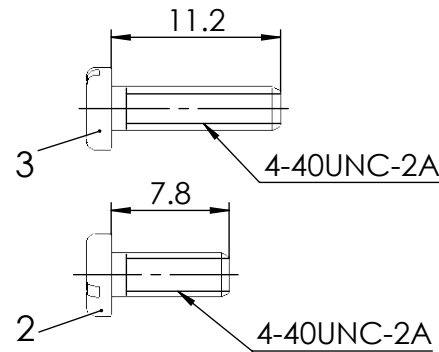
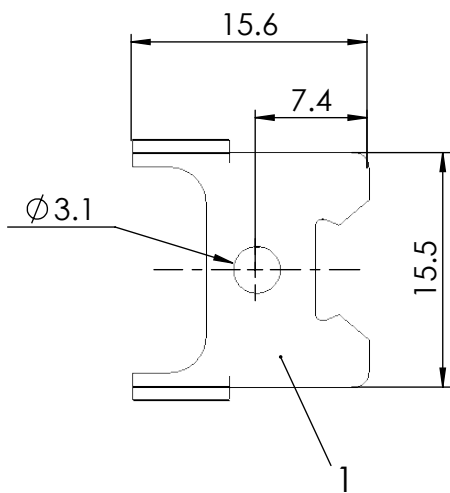


COMMENT:
 ALL RIGHTS ARE RESERVED BY US FOR THIS DRAWING. WITHOUT OUR PRIOR CONSENT,
 IT MAY NEITHER BE DUBLICATED NOR MADE AVAILABLE TO A THIRD PARTY,
 AND IT ALSO MAY NOT BE IMPROPERLY USED BY TE RECEIVER, OR A THIRD PARTY.

1	2	3		4		5	6		
	Part No.	Pos. 1 Lock plate (quantity)	Pos. 2 Screw 4-40 / 7.8mm (quantity)	Pos. 3 Screw 4-40 / 11.2mm (quantity)	Pos. 4 Spring washer (quantity)	Pos. 6 Nut (quantity)	Package	Notice	
A	Standard Assembly	F1044-5	2	2	-	2	2	in pairs	Packed together in a bag
	Assembly on FCT Hood	F1044-5H	2	2	2	2	2	in pairs	Packed together in a bag



RoHS compliant
by exemption

MATERIAL NO.	TYPE DESCRIPTION
1731120967	F1044-5
1731120366	F1044-5H

F1044		Stainless steel		blank	
<i>Part No.</i>		<i>Material</i>		<i>Surface plating/Colour/Class</i>	
THIS DRAWING CONTAINS INFORMATION THAT IS PROPRIETARY TO MOLEX ELECTRONIC TECHNOLOGIES, LLC AND SHOULD NOT BE USED WITHOUT WRITTEN PERMISSION					
SYMBOLS		DIMENSION UNITS		SCALE	
$\nabla = 0$ $\nabla = 0$ $\nabla = 0$ $\nabla = 0$ $\blacktriangledown = 0$ $\nabla = 0$ $\boxtimes = 0$ $\blacksquare = 0$ $\nabla = 0$		mm		2:1	
		MEASUREMENTS WITHOUT TOLERANCE ACC. TO ISO 2768-m		molex FCT-Lockplate F1044-5	
		CURRENT REVISION			
		DRWN: DRAWN BY FVetter 15-02-2019 APPR: APPR BY MTeubel 15-02-2019			
		INITIAL REVISION		PRODUCT CUSTOMER DRAWING	
		DRWN: DRAWN BY ADenzinger 08-02-2007 APPR: APPR BY ADenzinger 17-07-2007		MATERIAL NUMBER	
REPLACEMENT FOR:		THIRD ANGLE PROJECTION		see table	
		DRAWING		DOCUMENT NUMBER	
		A4-SIZE		F1044-5_D	
		CUSTOMER		REVISION	
		GENERAL MARKET		3	
		SHEET NUMBER		1 OF 1	

X-ON Electronics

Largest Supplier of Electrical and Electronic Components

Click to view similar products for [Other Tools](#) category:

Click to view products by [Molex](#) manufacturer:

Other Similar products are found below :

[CR-0AFL4--332K](#) [568681-1](#) [5800-0090](#) [58061-1](#) [59065-5](#) [59085](#) [00-8273-RDPP](#) [00-8729-WHPP](#) [593033](#) [593072](#) [593564100](#) [593575](#)
[593593](#) [011349-000](#) [CRCW08052740FRT1](#) [LUC-012S070DSM](#) [LUC-018S070DSP](#) [LUC-024S105DSP](#) [599-2021-3-NME](#) [599-JJ-2021-03](#)
[00-5080-YWPP](#) [00-9089-RDPP](#) [00-9300-RDPP](#) [CRCW2010331JR02](#) [601-JJ-06](#) [601-SPB](#) [601YSY](#) [602-JJ-03](#) [602SPB](#) [603-JJ-07-FP](#) [603-](#)
[JJY-04](#) [M15570-25](#) [CRTN1013](#) [CS16](#) [6-1579014-0](#) [CSB3](#) [6203](#) [62200-5709](#) [6240-1](#) [6240AXXTSZ-DC3](#) [M43435](#) [TY 2](#) [SZ 3](#) [FIN B](#) [BLK](#)
[M-5Z](#) [M6816](#) [M7298](#) [M7456](#) [M7976](#) [660-29ABT1](#) [662508-1](#) [CVHD-950X-93.333](#) [CW104-01X](#)