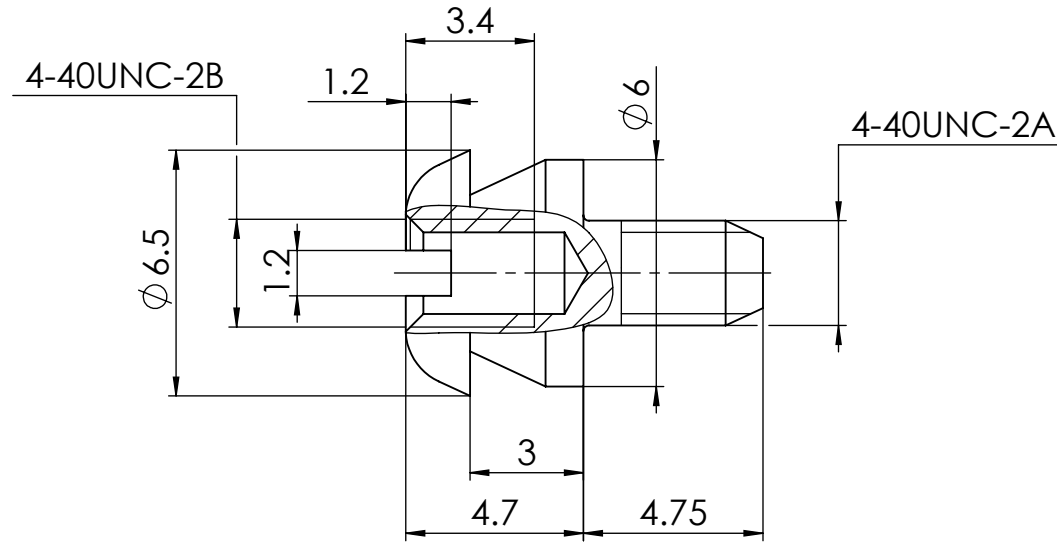


COMMENT:  
 ALL RIGHTS ARE RESERVED BY US FOR THIS DRAWING. WITHOUT OUR PRIOR CONSENT,  
 IT MAY NEITHER BE DUBLICATED NOR MADE AVAILABLE TO A THIRD PARTY,  
 AND IT ALSO MAY NOT BE IMPROPERLY USED BY TE RECEIVER, OR A THIRD PARTY.

1	2		3	4			5	6
	Material	Surface	Screw (quantity)	Washer (quantity)	Spring washer (quantity)	Nut (quantity)	Package	Notice
F62M125S245	Steel	tin plated	2	-	-	-	in pairs	Packed together in a bag
F62M125S245+S			max. 5000	-	-	-	bulk packed	Individually packed in bags



RoHS compliant  
by exemption

MATERIAL NO.	TYPE DESCRIPTION
-	F62M125S245
1731120276	F62M125S245+S

SYMBOLS		THIS DRAWING CONTAINS INFORMATION THAT IS PROPRIETARY TO MOLEX ELECTRONIC TECHNOLOGIES, LLC AND SHOULD NOT BE USED WITHOUT WRITTEN PERMISSION			
$\nabla_{\text{A}} = 0$	DIMENSION UNITS	SCALE	MEASUREMENTS WITHOUT TOLERANCE ACC. TO		<b>molex</b>
$\nabla_{\text{B}} = 0$	mm	2:1	ISO 2768-m		
$\nabla_{\text{C}} = 0$			CURRENT REVISION		Latch Screw 4-40/4-40 for Locking Hook FRH1/5
$\nabla_{\text{S}} = 0$			DRWN: DRAWN BY tschneider01 29-04-2019 APPR: APPR BY MTeubel 30-04-2019		
$\blacktriangledown = 0$			INITIAL REVISION		PRODUCT CUSTOMER DRAWING
$\nabla_{\text{C}} = 0$	2	24130	DRWN: DRAWN BY cpasch 29-08-2003 APPR: APPR BY okappla 29-08-2003		MATERIAL NUMBER
$\boxtimes = 0$	1				see table
$\blacksquare = 0$	REV.	CH.-NO.	REPLACEMENT FOR:		REVISION
$\nabla = 0$			THIRD ANGLE PROJECTION		2
			DRAWING		DOCUMENT NUMBER
			A4-SIZE		F62M125_D
					CUSTOMER
					GENERAL MARKET
					SHEET NUMBER
					1 OF 1

## X-ON Electronics

Largest Supplier of Electrical and Electronic Components

*Click to view similar products for [D-Sub Tools & Hardware](#) category:*

*Click to view products by [Molex](#) manufacturer:*

Other Similar products are found below :

[000-01-09-132](#) [000-01-21-132](#) [D20418-148](#) [D20418-2R](#) [D20418-J3F](#) [780-010-06G4-00C](#) [780-518-50SG6-WS](#) [1230032-1](#) [DBMM-21W1S](#)  
[15-004670](#) [1-5021101-2](#) [1589283-4](#) [160-015-003R031](#) [160X10909X](#) [164C03939A](#) [1-966830-8](#) [21018-6](#) [21028-2](#) [JS-1000](#) [248C21530X](#)  
[212561-3](#) [QLOCKPOST-2](#) [D20419-16](#) [D20419-16JR](#) [500-008NF1K-01](#) [500-008NF3R3KS-01](#) [5-1393561-5](#) [559-001-49](#) [C115373-0001](#)  
[C115373-0002](#) [L17D4M68711](#) [DAMMY3W3S](#) [4-1393560-7](#) [XM2Z-0003](#) [500-008B1AD-07](#) [500-008M1G-01](#) [500-008NF2GKE-04](#)  
[020420-0086](#) [080-00-00-503](#) [063385](#) [09670019977](#) [572019-00108-70](#) [SF09](#) [SF15](#) [CF50S](#) [799-101780](#) [ICK S 18X18X10](#) [D20418-145](#)  
[D20419-121](#) [V42254A6000K115](#)