

**PLEASE CHECK WWW.MOLEX.COM FOR LATEST PART INFORMATION**

**Part Number:** [1727040114](#)  
**Status:** **Active**  
**Overview:** [FCT D-Sub Connectors](#)  
**Description:** FCT Plastic Backshell for D-Sub Connector, Shielded, Shell Size 2, Straight Cable Outlet

**Documents:**

[Brochure \(PDF\)](#)

[RoHS Certificate of Compliance \(PDF\)](#)

**General**

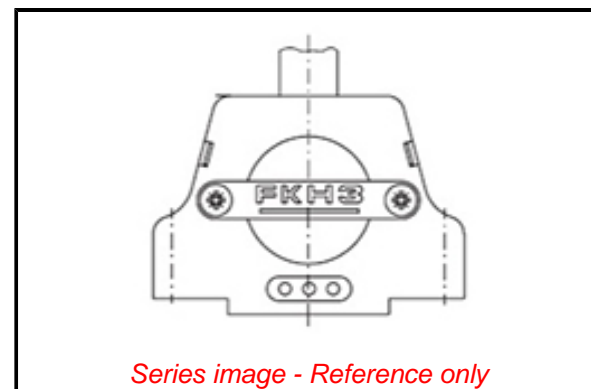
|                  |                                      |
|------------------|--------------------------------------|
| Product Family   | D-Sub Products                       |
| Series           | <a href="#">172704</a>               |
| Overview         | <a href="#">FCT D-Sub Connectors</a> |
| Product Category | Backshell                            |
| Product Name     | FCT Products                         |
| Type             | Plastic                              |
| UPC              | 889056020251                         |

**Physical**

|                               |                  |
|-------------------------------|------------------|
| Cable Diameter                | 4.50-7.00mm      |
| Material - Backshell          | ABS / PC+ABS     |
| Net Weight                    | 13.200/g         |
| Orientation                   | Straight         |
| Packaging Type                | Bag              |
| Plating - Backshell           | Nickel           |
| Shield Type                   | Shielded Plastic |
| Shielded                      | Yes              |
| Temperature Range - Operating | -35° to +95°C    |
| Tightening Test Torque        | 40 Ncm           |
| Waterproof / Dustproof        | No               |

**Material Info**

|                    |        |
|--------------------|--------|
| Engineering Number | FKH2AE |
|--------------------|--------|



**EU ELV**

**Not Relevant**

**EU RoHS**

**Compliant with Exemption 6(a)-I**

**REACH SVHC**

Contained Per - ED/71/2019 (16 July 2019)  
lead

**Halogen-Free**

**Status**

**Not Reviewed**

For more information, please visit [Contact US](#)

China ROHS

**China RoHS**

ELV

RoHS Phthalates

50 Image

Not Relevant

Not Contained

**Search Parts in this Series**

[172704 Series](#)

**Use With**

FCT D-Sub, Size 2

## X-ON Electronics

Largest Supplier of Electrical and Electronic Components

*Click to view similar products for [D-Sub Backshells](#) category:*

*Click to view products by [Molex](#) manufacturer:*

Other Similar products are found below :

[600X51137X](#) [600X54009X](#) [66241-12A](#) [M85049/6-38N](#) [M85049/86-12N03](#) [M85049/90-13P03](#) [70.350.0636.4](#) [70.350.2435.1](#) [72.350.1035.2](#)  
[72.352.2435.1](#) [73.359.4035.3](#) [829472-1](#) [PCS-E20W](#) [970-015-040R011](#) [971-009-030R121](#) [971-009-040R011](#) [971-015-040R011](#) [DPH-B-003](#)  
[1437013-9](#) [1484402-8](#) [156-3025-EX](#) [16-500800](#) [165X02659X](#) [165X03329A](#) [165X03399A](#) [165X10259X](#) [165X11359X](#) [165X11759X](#)  
[165X11889X](#) [165X11899X](#) [165X13019X](#) [165X13029X](#) [165X13169X](#) [165X13199X](#) [165X13239X](#) [165X13389X](#) [165X13489X](#)  
[165X14219X](#) [165X14429X](#) [165X14449X](#) [165X17409X](#) [165X17439X](#) [165X17569X](#) [165X17599X](#) [165X17609X](#) [165X17889X](#)  
[165X17979X](#) [L171373](#) [971-025-030R121](#) [300X10989X](#)