

**PLEASE CHECK WWW.MOLEX.COM FOR LATEST PART INFORMATION**

**Part Number:** [1731120048](#)  
**Status:** **Active**  
**Overview:** [FCT D-Sub Connectors](#)  
**Description:** FCT Coaxial Contact, 3 Pins, Male, Straight, PCB Through Hole, 50 Ohms, 1.30µm Gold Plating

**Documents:**

[Brochure \(PDF\)](#) [RoHS Certificate of Compliance \(PDF\)](#)

**General**

Product Family	D-Sub Products
Series	<a href="#">173112</a>
Contact Type	Coaxial
Overview	<a href="#">FCT D-Sub Connectors</a>
Product Category	Contacts
Product Name	FCT Products
Type	Mixed Layout
UPC	889056322898

**Physical**

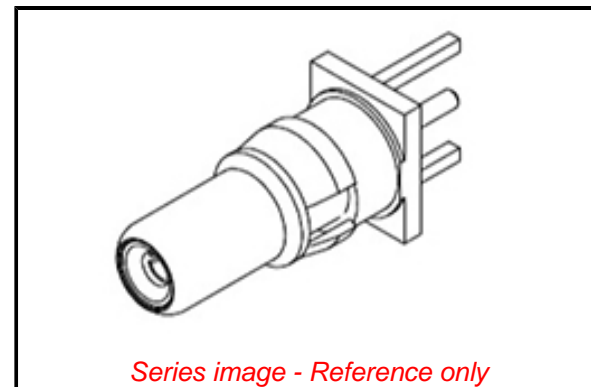
Durability (mating cycles max)	200
Gender	Male
Material - Contact	Copper Alloy
Net Weight	1.200/g
Orientation	Straight
Packaging Type	Adhesive Tape on Reel
Plating - Contact	Gold over Nickel
Plating min - Mating	0.800µm
Plating min - Termination	1.300µm
Temperature Range - Operating	-55° to +135°C
Termination Style	Through Hole

**Electrical**

Current - Maximum per Contact	2.0A
Impedance	50Ω

**Material Info**

Engineering Number	FME010P102
--------------------	------------



*Series image - Reference only*

**EU ELV**

**Not Relevant**

**EU RoHS**

**Compliant with Exemption 6(c)**

**REACH SVHC**

Contained Per - ED/71/2019 (16 July 2019)  
lead

**Halogen-Free**

**Status**

**Not Reviewed**

For more information, please visit [Contact US](#)

China ROHS

ELV

RoHS Phthalates

**China RoHS**

50 Image

Not Relevant

Not Contained

**Search Parts in this Series**

[173112 Series](#)

**Use With**

FCT Mixed Layout Connectors

## X-ON Electronics

Largest Supplier of Electrical and Electronic Components

*Click to view similar products for [D-Sub Contacts](#) category:*

*Click to view products by [Molex](#) manufacturer:*

Other Similar products are found below :

[D02-22-26S-10000](#) [8656352067LF](#) [131A15029X](#) [132A11019X](#) [132J22039X](#) [132A11029X](#) [132A11049X](#) [132A12059X](#) [1757912-1](#) [188582-000](#) [162A11889X](#) [1757913-1](#) [212558-1](#) [030-1955-000](#) [053744-0098](#) [053744-0099](#) [053745-0105](#) [053745-0111](#) [601098N003](#) [D-610-10CS2962](#) [86303057NLF](#) [131A11019X](#) [162A11819X](#) [40-9854MP](#) [1-208778-5](#) [FC120N2](#) [MC7526D/AA](#) [MC8122D/AA](#) [FC4010D-15](#) [FC4006D](#) [121A05329A](#) [164C16669X](#) [86566620064LF](#) [131A13019X](#) [DLS3XS5AK40X](#) [09692825723](#) [VS-BU-KX-50-RG58](#) [030-1954-000](#) [L17DM53744207](#) [L17RRD1M11400](#) [030-1952-000](#) [1655496](#) [030-1953-000](#) [030-1953-030](#) [132C11039X](#) [132J15019X](#) [132C15019X](#) [132A10039X](#) [131A10029X](#) [8638PSC2006LF](#)