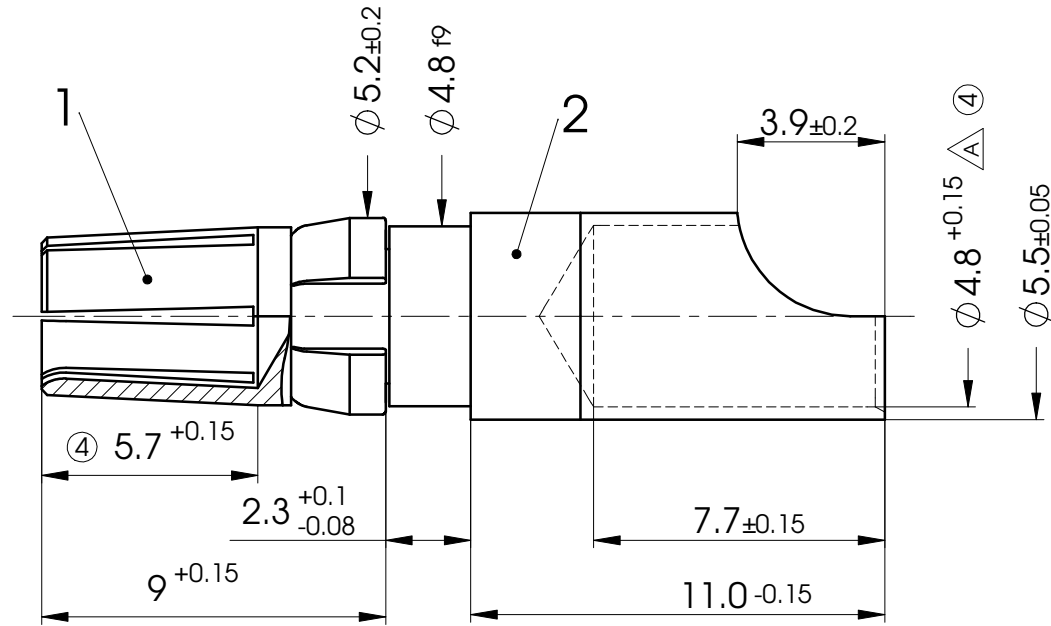
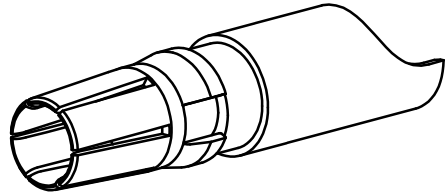


COMMENT:
 ALL RIGHTS ARE RESERVED BY US FOR THIS DRAWING. WITHOUT OUR PRIOR CONSENT,
 IT MAY NEITHER BE DUPLICATED NOR MADE AVAILABLE TO A THIRD PARTY,
 AND IT ALSO MAY NOT BE IMPROPERLY USED BY THE RECEIVER, OR A THIRD PARTY.



(Text No. Info-2)

\triangle Dimension is not according DIN 41626

CURRENT		40 A		HIGH POWER CONTACT		SCALE							
FOR EN 60603-2		formerly DIN 41612		DATE		NAME							
DIMENSIONS IN MM				DRAWN		09-09-2003		MSteinbrück					
MATERIAL + FINISH SEE EXTRA SHEET				CHECKED		09-06-2006		MTeubel					
UNLESS OTHERWISE SPECIFIED DIMENSIONS FOR REFERENCE ONLY				 www.fctgroup.com				PART NO.		REV.			
4		09-06-2006						11308		FMP051S		4	
REV.		DATE		INDEX		ORIGINAL: DIN A4-DRAWING AS A FILE				REPLACEMENT FOR:		PAGE: 1/1	

X-ON Electronics

Largest Supplier of Electrical and Electronic Components

Click to view similar products for [D-Sub Contacts](#) category:

Click to view products by [Molex](#) manufacturer:

Other Similar products are found below :

[D02-22-26S-10000](#) [8656352067LF](#) [131A15029X](#) [132A11019X](#) [132J22039X](#) [132A11029X](#) [132A11049X](#) [132A12059X](#) [1757912-1](#) [188582-000](#) [162A11889X](#) [1757913-1](#) [212558-1](#) [030-1955-000](#) [053744-0098](#) [053744-0099](#) [053745-0105](#) [053745-0111](#) [601098N003](#) [D-610-10CS2962](#) [86303057NLF](#) [131A11019X](#) [162A11819X](#) [40-9854MP](#) [1-208778-5](#) [FC120N2](#) [MC7526D/AA](#) [MC8122D/AA](#) [FC4010D-15](#) [FC4006D](#) [121A05329A](#) [164C16669X](#) [86566620064LF](#) [131A13019X](#) [DLS3XS5AK40X](#) [09692825723](#) [VS-BU-KX-50-RG58](#) [030-1954-000](#) [L17DM53744207](#) [L17RRD1M11400](#) [030-1952-000](#) [1655496](#) [030-1953-000](#) [030-1953-030](#) [132C11039X](#) [132J15019X](#) [132C15019X](#) [132A10039X](#) [131A10029X](#) [8638PSC2006LF](#)