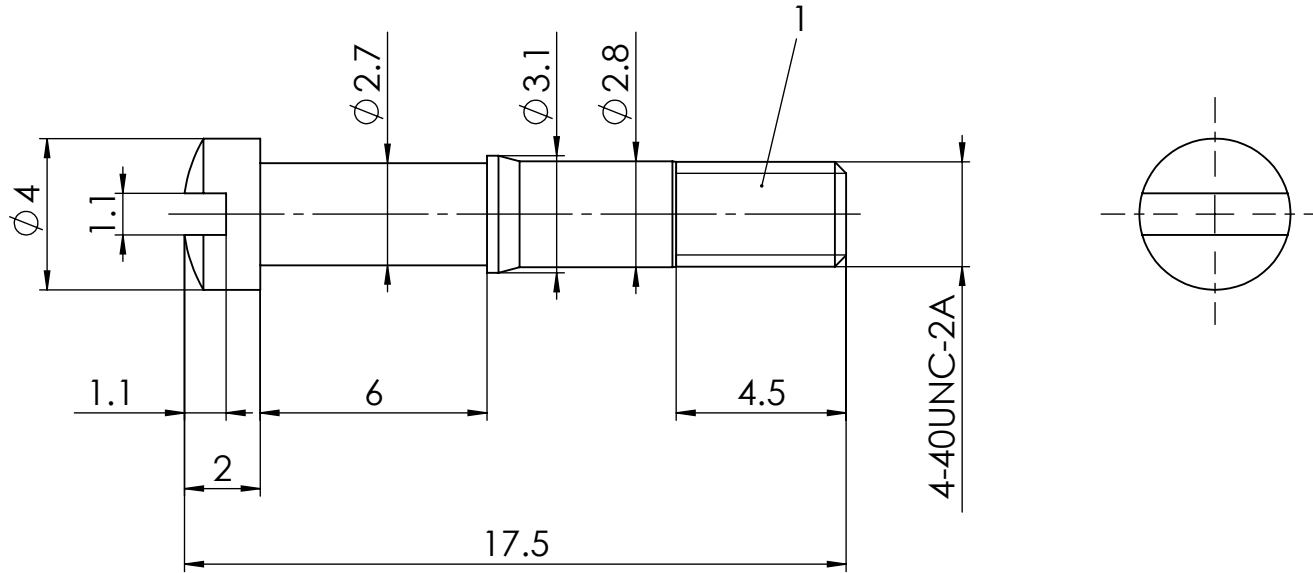


COMMENT:
 ALL RIGHTS ARE RESERVED BY US FOR THIS DRAWING. WITHOUT OUR PRIOR CONSENT,
 IT MAY NEITHER BE DUBLICATED NOR MADE AVAILABLE TO A THIRD PARTY,
 AND IT ALSO MAY NOT BE IMPROPERLY USED BY TE RECEIVER, OR A THIRD PARTY.



1	1	Locking screw	FVS1/5 4-40 / Brass	nickel plated
<i>No.</i>	<i>St.</i>	<i>Part</i>	<i>Type Description/Material</i>	<i>Surface plating/Colour/Class</i>
SYMBOLS THIS DRAWING CONTAINS INFORMATION THAT IS PROPRIETARY TO MOLEX ELECTRONIC TECHNOLOGIES, LLC AND SHOULD NOT BE USED WITHOUT WRITTEN PERMISSION				
$\nabla = 0$	DIMENSION UNITS	SCALE	MEASUREMENTS WITHOUT TOLERANCE ACC. TO ISO 2768-m	
$\nabla = 0$	mm	2:1	molex FCT-Locking screw	
$\nabla = 0$				
$\nabla = 0$			CURRENT REVISION	
$\nabla = 0$			DRWN: DRAWN BY	tschneider01 19-06-2019
$\nabla = 0$			APPR: APPR BY	msteinbrueck 19-06-2019
$\nabla = 0$	2	24130	INITIAL REVISION	
$\nabla = 0$	1		DRWN: DRAWN BY	BWittek 03-11-2009
$\nabla = 0$	REV.	CH.-NO.	APPR: APPR BY	Anke.Meyer-Richter 03-11-2009
$\nabla = 0$	REPLACEMENT FOR:		THIRD ANGLE PROJECTION	DRAWING
$\nabla = 0$				A4-SIZE
			DOCUMENT NUMBER	FVS1/5
			CUSTOMER	GENERAL MARKET
			MATERIAL NUMBER	1731120243
			REVISION	2
			SHEET NUMBER	1 OF 1

X-ON Electronics

Largest Supplier of Electrical and Electronic Components

Click to view similar products for [D-Sub Tools & Hardware](#) category:

Click to view products by [Molex](#) manufacturer:

Other Similar products are found below :

[000-01-09-132](#) [000-01-21-132](#) [000-01-37-162](#) [621-250-113-115](#) [D20418-148](#) [D20418-2R](#) [D20418-J3F](#) [780-010-06G4-00C](#) [780-518-50SG6-WS](#) [1230032-1](#) [DBMM-21W1S](#) [15-004670](#) [1-5021101-2](#) [1589283-4](#) [160-015-003R031](#) [160X10909X](#) [164C03939A](#) [177-505-A-2-2](#) [1-966830-8](#) [21018-6](#) [21028-2](#) [JS-1000](#) [248C21530X](#) [L17D53018](#) [212561-3](#) [QLOCKPOST-2](#) [D20419-16](#) [D20419-16JR](#) [500-008NF1K-01](#) [500-008NF3R3KS-01](#) [5-1393561-5](#) [559-001-49](#) [C115373-0001](#) [C115373-0002](#) [L17D4M68711](#) [DAMMY3W3S](#) [4-1393560-7](#) [XM2Z-0003](#) [500-008B1AD-07](#) [500-008M1G-01](#) [500-008NF2GKE-04](#) [020420-0086](#) [038899](#) [080-00-00-503](#) [063385](#) [09670019977](#) [559-005-01](#) [572019-00108-70](#) [SF09](#) [SF15](#)