

10

9

8

7

6

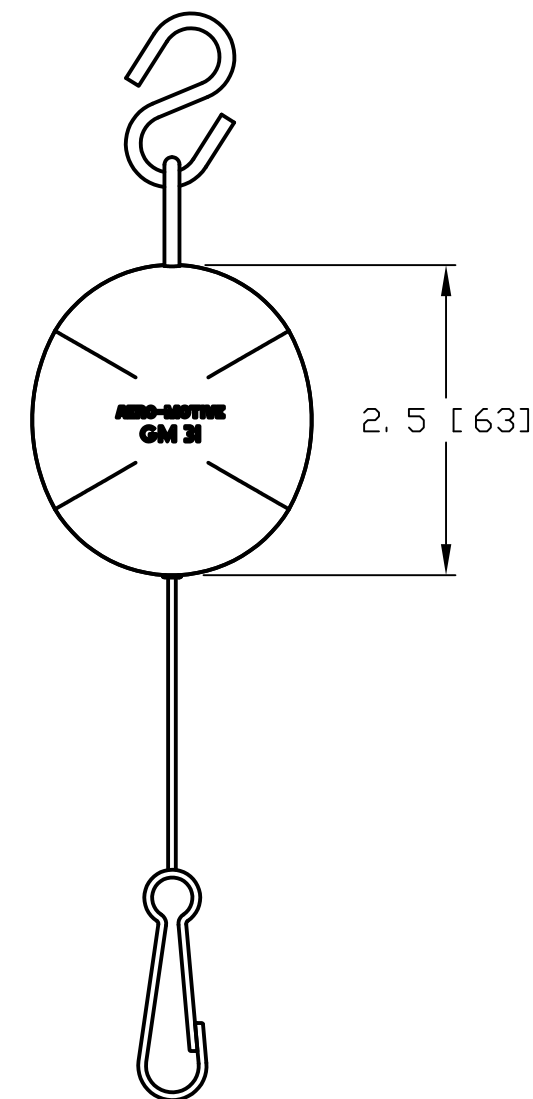
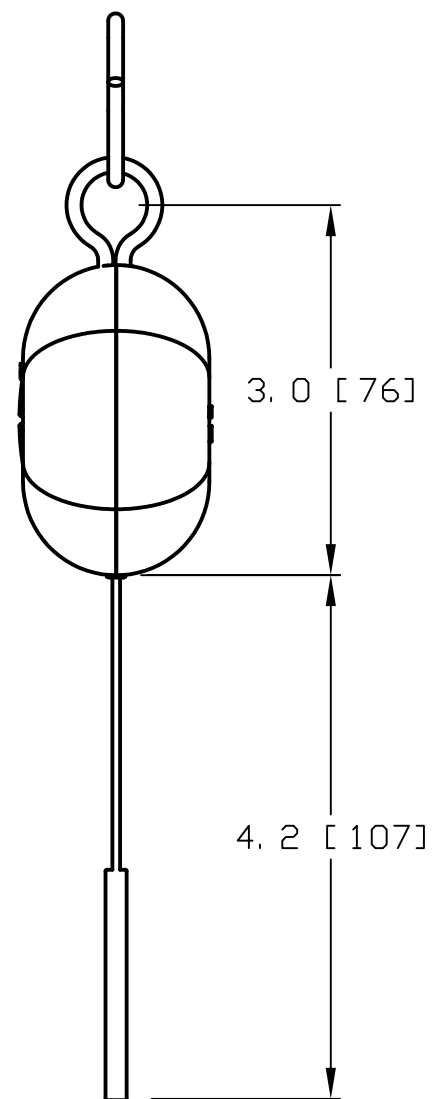
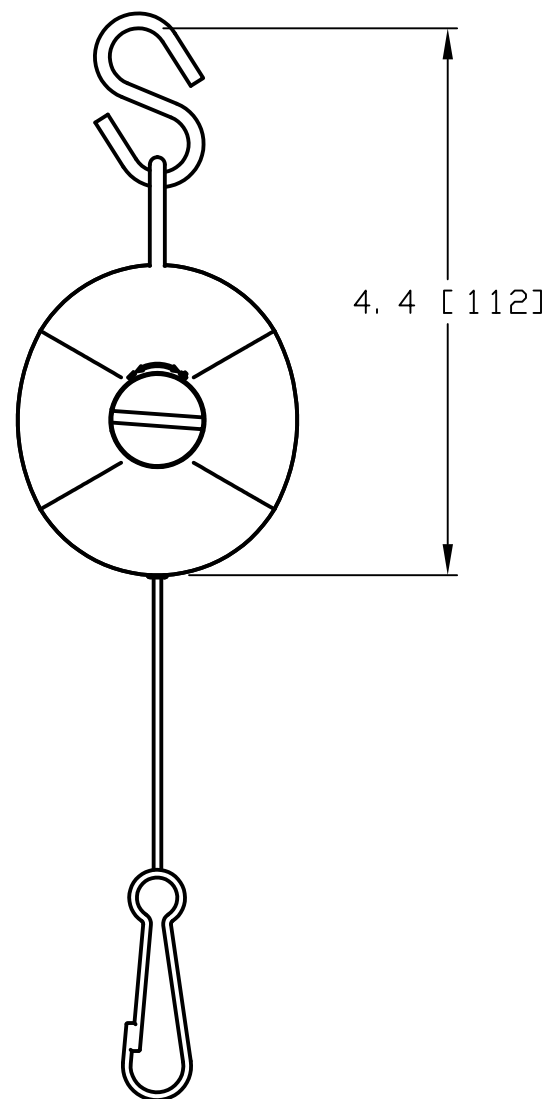
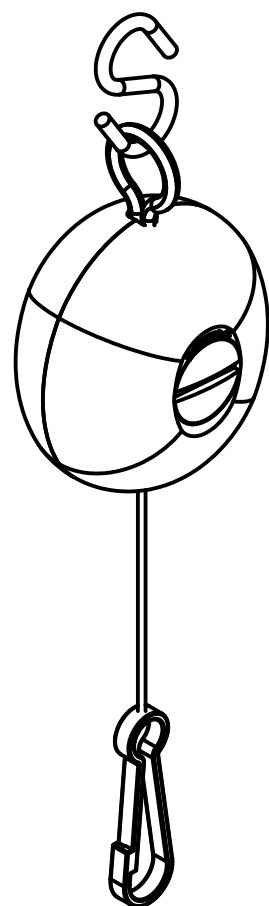
5

4

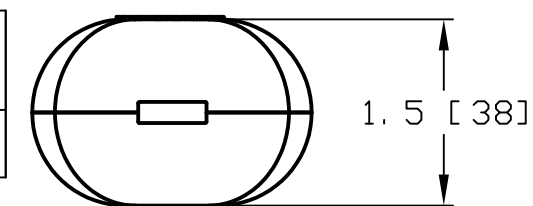
3

2

1



Material Number:	Engineering Number:	Description:	Weight Range in (KG):	Cable Travel in (M):	Weight Range in (LB):	Cable Travel in (FT):	Color:
1301690002	GM31	TOOL POSITIONER [1-10LB/0.5-4.5KG], 4.7FT	0.5 - 4.5	1.4	1.0 - 10.0	4.7	BLACK



NOTES:

- ALWAYS READ INSTRUCTIONS MANUAL BEFORE USING RETRACTORS.
- HOUSINGS ARE MADE OF GENERAL PURPOSE ABS TO MEET HARSH INDUSTRIAL ENVIRONMENTS.
- GM31 WILL HOLD A LOAD TO A DESIRED POSITION WITHIN THE TRAVEL RANGE WITHOUT USING A RATCHET LOCK OR A LOCKING DEVICE.
- TENSION CAN BE EASILY ADJUSTED BY USING A SCREW DRIVER ON TO THE ALLOCATED SHAFT SLOT AND TURNING TOWARDS THE "+" OR "-" DIRECTION. "+" = INCREASE TENSION.
- TO REPOSITION LOAD TO TOP POSITION SIMPLY PULL ON CABLE AND WHILE HOLDING THE LOAD THE CABLE WILL RETRACT INTO HOUSING.
- OVERALL DIMENSIONS ARE FOR REFERENCE ONLY.

REV	DESCRIPTION	QUALITY SYMBOLS	GENERAL TOLERANCES (UNLESS SPECIFIED)		DIMENSION STYLE		SCALE	DESIGN UNITS	THIRD ANGLE PROJECTION	
			mm	INCH	IN/MM	NTS	INCH			
A	RELEASE TO GSM EC NO: WNA2010-0605 DRWN: RHOTCA 2010/03/31 CHKD: DT APPR: DITUS 2010/04/01	▽=0 ∇=0	4 PLACES	±-	±-	DRAWN BY RHOTCA	DATE 2010/03/31	TITLE GM31 SERIES TOOL POSITIONER		
			3 PLACES	±-	±-	CHECKED BY DT	DATE 2010/03/31			
			2 PLACES	±-	±-	APPROVED BY DITUS	DATE 2010/03/31			
			1 PLACE	±-	±-	MATERIAL NO. SEE TABLE		DOCUMENT NO. SD-130169-001		SHEET NO. 1 OF 1
			ANGULAR ±1°		DRAFT WHERE APPLICABLE MUST REMAIN WITHIN DIMENSIONS		THIS DRAWING CONTAINS INFORMATION THAT IS PROPRIETARY TO MOLEX INCORPORATED AND SHOULD NOT BE USED WITHOUT WRITTEN PERMISSION			

10

9

8

7

6

5

4

3

2

1

X-ON Electronics

Largest Supplier of Electrical and Electronic Components

Click to view similar products for [Fiber Optic Connectors](#) category:

Click to view products by [Molex](#) manufacturer:

Other Similar products are found below :

[0004700001](#) [6100-R](#) [6313](#) [F709034706](#) [F709722200](#) [F718183204](#) [F727403500](#) [F727752800](#) [FCXO-12-3BY](#) [FO-SCREW\(M2X6\)](#) [9440F20-27S-190](#) [944-120-6001](#) [944-125-6003](#) [9441F10SL-3S](#) [9446F10SL-4S](#) [953-101-5310-P](#) [954-101-57202B](#) [A0270169](#) [12-9122](#) [12-5702](#) [143025NC](#) [AX101713](#) [AX102420](#) [AX103923](#) [AX104141](#) [AX104193](#) [AX104228](#) [AX104230](#) [AX104562](#) [AX105203-B25](#) [AX105205-S1](#) [EHSC2M](#) [17-300800](#) [181-011-126](#) [BT34IW](#) [HRFCP-HSCJ-1\(61\)](#) [HRFC-R2\(40\)](#) [NKSOPBUY](#) [20500002116](#) [2064996-1](#) [20800001065](#) [2170](#) [9132](#) [2612](#) [2620](#) [9291](#) [9440F18-19S](#) [9440F20-14P](#) [9440F20-14PW](#) [9440W18-1S](#)