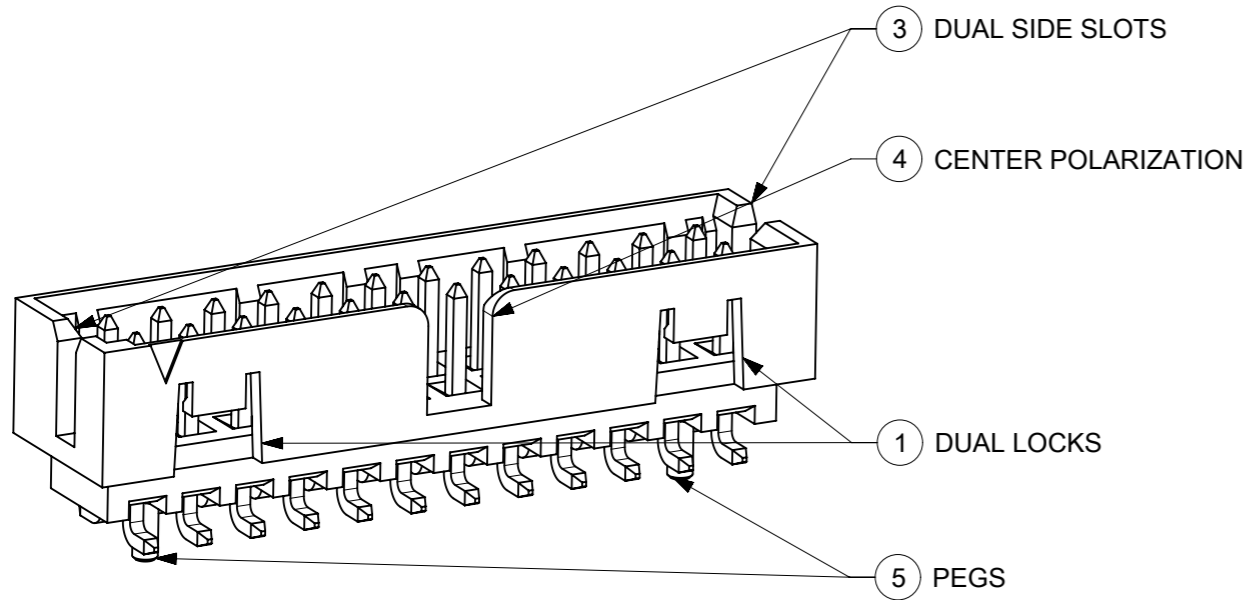
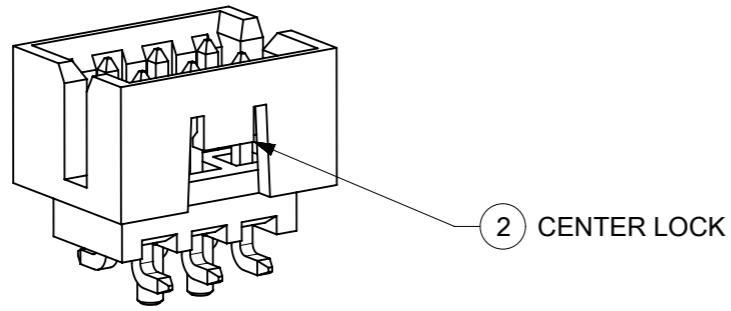


FEATURES SELECTION GUIDE

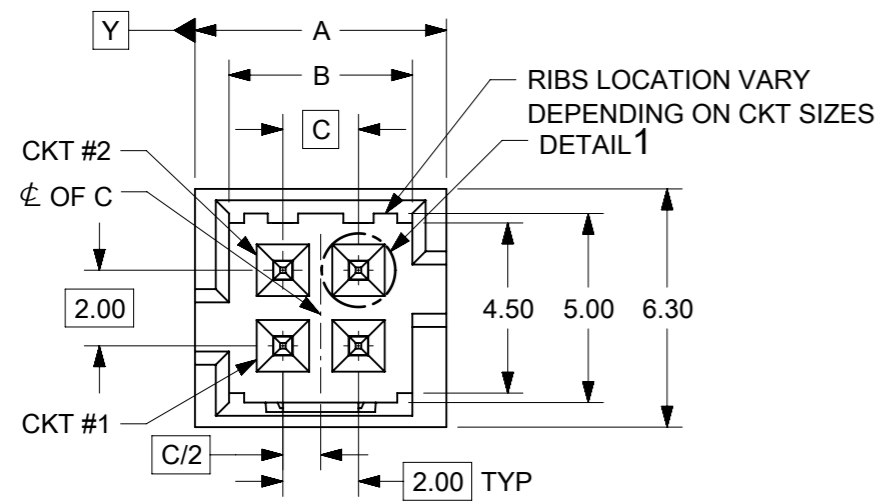


CIRCUIT SIZE	FEATURES					SHEET NO
	FRICTION LOCKS		DUAL SIDE SLOTS	CENTER POLARIZATION	PEGS	
	① DUAL	② CENTER				
4	N.A	N.A	YES	N.A	N.A	2 - 3
	N.A	YES	YES	N.A	N.A	
6	N.A	N.A	YES	N.A	N.A	4 - 5
	N.A	N.A	YES	N.A	YES	
	N.A	N.A	YES	YES	N.A	
	N.A	YES	YES	N.A	N.A	
	N.A	YES	YES	N.A	YES	
8 TO 12	N.A	N.A	YES	YES	YES	6 - 7
	N.A	N.A	YES	YES	N.A	
	N.A	YES	YES	N.A	N.A	
14 TO 50	YES	N.A	YES	YES	N.A	8 - 11
	YES	N.A	YES	YES	YES	

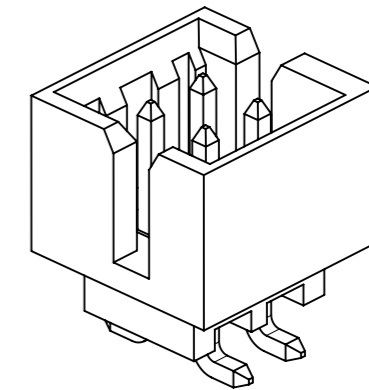
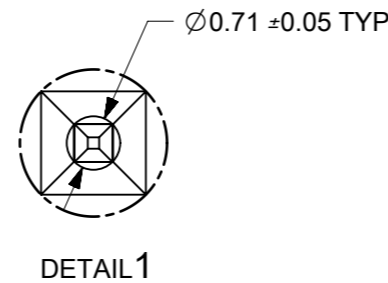
THIS DRAWING CONTAINS INFORMATION THAT IS PROPRIETARY TO MOLEX ELECTRONIC TECHNOLOGIES, LLC AND SHOULD NOT BE USED WITHOUT WRITTEN PERMISSION

EC NO: 621140 DRWN: NMANE02 CHK'D: NMANE02 APPR: MRAMAKRISHNA	GENERAL TOLERANCES (UNLESS SPECIFIED)		DIMENSION UNITS		SCALE				
			MM	INCH	MM	NTS			
	4 PLACES	±		±	DRWN BY	DATE	MILLIGRID 2MM PITCH, SMT VERTICAL SHROUDED HEADER		
	3 PLACES	±		±	GMENARLY	2015/05/22			
	2 PLACES	± 0.2		±	CHK'D BY	DATE			
	1 PLACES	±		±	CGOH	2015/09/21	PRODUCT CUSTOMER DRAWING		
0 PLACES	±		±	APPR BY	DATE				
ANGULAR TOL = 3.0		DRAWING SIZE		THIRD ANGLE PROJECTION		SERIES: 87832 MATERIAL NUMBER: SEE TABLE CUSTOMER: GENERAL MARKET			
DRAFT WHERE APPLICABLE MUST REMAIN WITHIN DIMENSIONS		A3							
A12 REV	ADDED BTB DIST. 2019/07/23 2019/07/23					DOCUMENT NUMBER: SD-87832-0001 DOC TYPE: PSD DOC PART: 001 SHEET NUMBER: 1 OF 13			

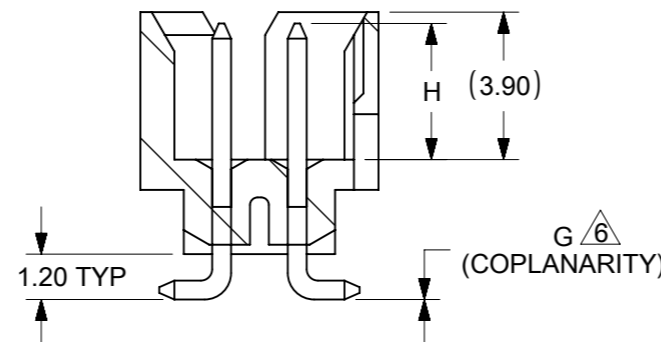
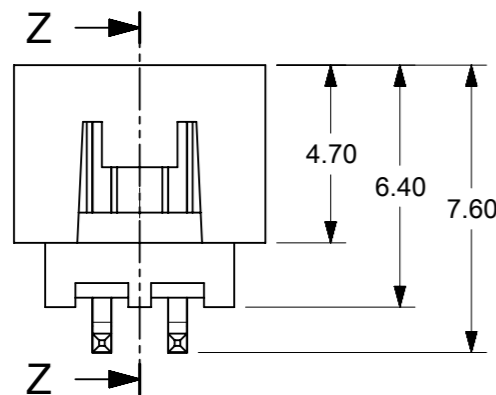
RELEASE STATUS	P1	RELEASE DATE	2019/07/23	11:08:01
----------------	----	--------------	------------	----------



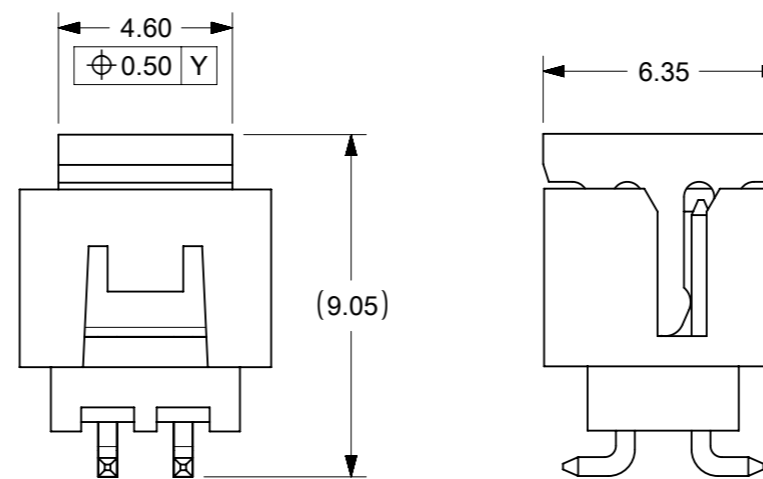
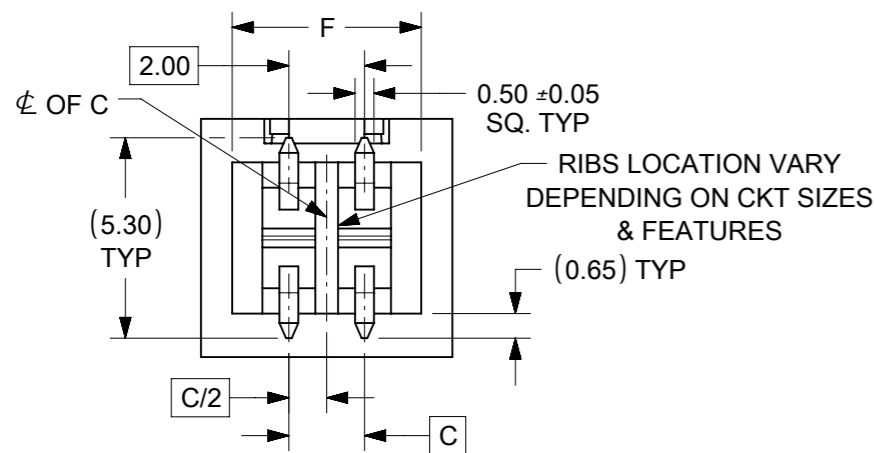
4 CIRCUITS



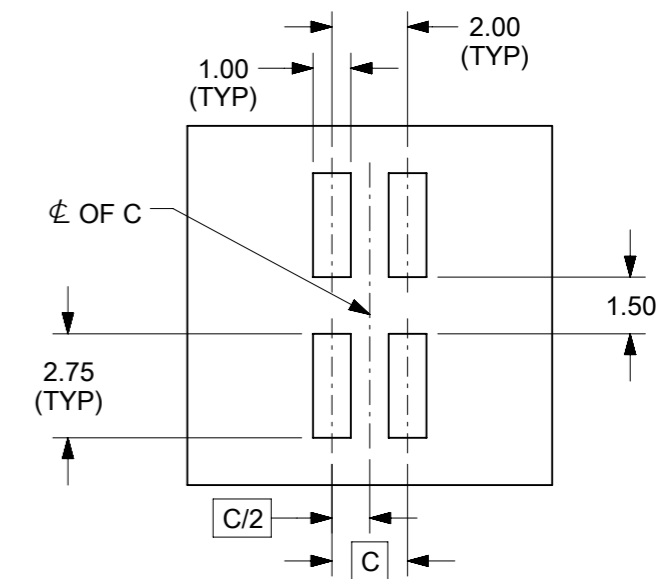
ISO VIEW OF HEADER WITH ONLY DUAL SLOTS



SECTION Z-Z



VIEW FOR HEADER WITH CAP



RECOMMENDED PCB LAYOUT

NOTES:

- MATERIALS:**
HOUSING & CAP: 30% GF, NYLON, UL94V-0, COLOR: BLACK
PIN: 0.50mm SQ. PHOSPHOR BRONZE
- FINISHES:** REFER TO PLATING OPTIONS
- PRODUCT SPECIFICATION:** PS-87831-027
- PACKAGING SPECIFICATION:** SEE PACKAGING SPECS TABLE ON SHEET 12
- MATES WITH:** A. MOLEX CRIMP RECEPTACLE HOUSING: 51110 SERIES AND CRIMP TERMINAL: 50394 SERIES
B. MOLEX 2mm MILLIGRID DUAL ROW IDT: 87568 SERIES
C. MOLEX 2mm MILLIGRID DUAL ROW RECEPTACLE: 79107 (GOLD PLATED), 78787 (TIN PLATED)
- COPLANARITY IS TO BE MEASURED BY RESTING THE SOLDER TAIL ON A GAUGE SURFACE
- BEND DEPRESSION ON SMT TAIL IS ACCEPTABLE SO LONG AS IT DOES NOT AFFECT THE OVERALL COPLANARITY
- TOP SURFACE OF CAP TO BE FLAT FOR THE PURPOSE OF PICK & PLACE BY VACUUM SUCTION NOZZLE

THIS DRAWING CONTAINS INFORMATION THAT IS PROPRIETARY TO MOLEX ELECTRONIC TECHNOLOGIES, LLC AND SHOULD NOT BE USED WITHOUT WRITTEN PERMISSION

EC NO: 621140 DRWN: NMANE02 CHKD: NMANE02 APPR: MRAMAKRISHNA	2019/07/23	2019/07/23	2019/07/23	GENERAL TOLERANCES (UNLESS SPECIFIED)		DIMENSION UNITS	SCALE				
				MM	INCH	MM	NTS				
	ADDED BTB DIST.				4 PLACES	±	±	DRWN BY	DATE	MILLIGRID 2MM PITCH, SMT VERTICAL SHROUDED HEADER	
					3 PLACES	±	±	GMENARLY	2015/05/22		
					2 PLACES	± 0.2	±	CHK'D BY	DATE	PRODUCT CUSTOMER DRAWING	
				1 PLACES	±	±	CGOH	2015/09/21			
				0 PLACES	±	±	APPR BY	DATE	SERIES: 87832 MATERIAL NUMBER: SEE TABLE CUSTOMER: GENERAL MARKET		
							KHLIM	2015/09/22			
				ANGULAR TOL = 3.0		DRAWING SIZE	THIRD ANGLE PROJECTION	DOCUMENT NUMBER: SD-87832-0001 DOC TYPE: PSD DOC PART: 001 SHEET NUMBER: 2 OF 13			
				DRAFT WHERE APPLICABLE MUST REMAIN WITHIN DIMENSIONS		A3					


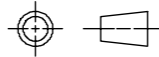
4 CIRCUITS

CKT SIZE	ASSY P/N WITHOUT CAP IN TUBE	ASSY P/N WITH CAP IN TUBE	ASSY P/N WITH CAP IN T&R	T&R OPTIONS (SEE SHEET 12)	PLATING OPTIONS	FRICTION LOCKS		DUAL SIDE SLOTS	CENTER POLARIZATION	PEGS	DIMENSION							
						DUAL	CENTER				A	B	C	D	E	F	G (COPLAN)	H
4	87832-0460	87832-0462	87832-5162	1	1	N.A	N.A	YES	N.A	N.A	6.65	4.85	2.00	N.A	N.A	5.00	0.10	3.60±0.20
	87832-0420	87832-0422	87832-5122	1	2													
	87832-0421	87832-0423	87832-5123	1	3													
	87832-0470	87832-0472	87832-5172	1	4	N.A	YES	YES	N.A	N.A							0.10	
	87832-0410	87832-0408	87832-0406	1	2													
			87832-5106	2	2													
	87832-0411	87832-0409	87832-0407	1	3	N.A	YES	YES	N.A	N.A							0.10	
87832-0404	N.A	N.A	N.A	2	0.10													

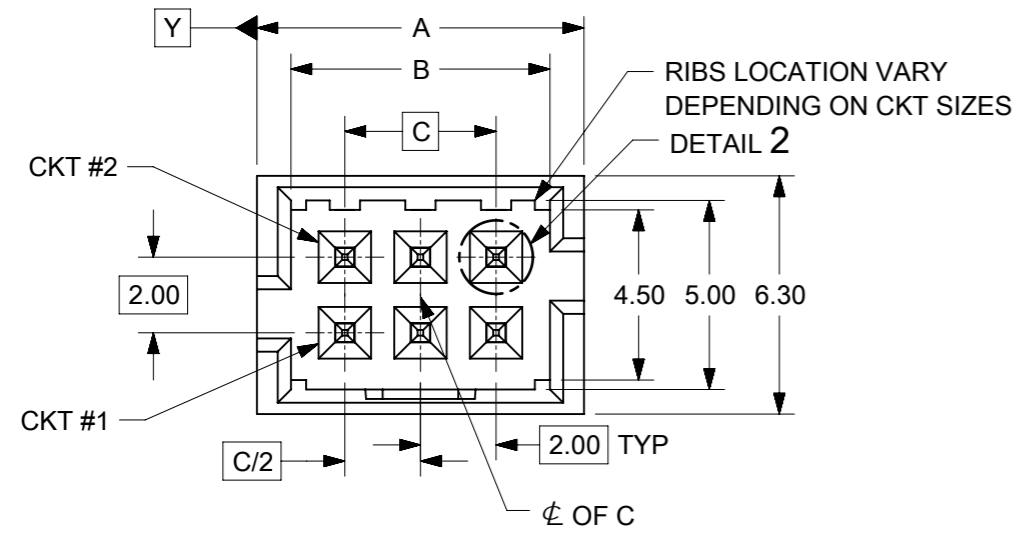
PLATING OPTIONS:

- 1 - 0.05-0.13µm/2-5µin GOLD IN CONTACT AREA AND 1.88µm/75µin MIN. MATTE TIN IN SOLDER TAIL AREA OVER 1.27µm/50µin MIN. NICKEL OVERALL.
- 2 - 0.38µm/15µin MIN. GOLD IN CONTACT AREA AND 1.88µm/75µin MIN. MATTE TIN IN SOLDER TAIL AREA OVER 1.27µm/50µin MIN. NICKEL OVERALL.
- 3 - 0.76µm/30µin MIN. GOLD IN CONTACT AREA AND 1.88µm/75µin MIN. MATTE TIN IN SOLDER TAIL AREA OVER 1.27µm/50µin MIN. NICKEL OVERALL.
- 4 - 2.50µm/100µin MIN. MATTE TIN OVER 1.25µm/50µin MIN. NICKEL OVERALL.

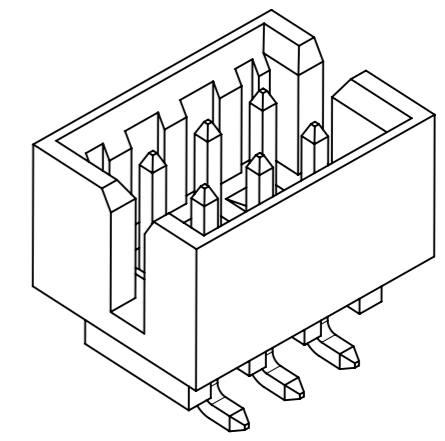
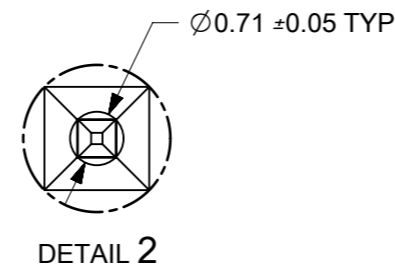
THIS DRAWING CONTAINS INFORMATION THAT IS PROPRIETARY TO MOLEX ELECTRONIC TECHNOLOGIES, LLC AND SHOULD NOT BE USED WITHOUT WRITTEN PERMISSION

ADDED BTB DIST. EC NO: 621140 DRWN: NMANE02 CHKD: NMANE02 REV APPR: MRAMAKRISHNA	2019/07/23		2019/07/23		2019/07/23		GENERAL TOLERANCES (UNLESS SPECIFIED)		DIMENSION UNITS		SCALE						
									MM		NTS						
							4 PLACES ±		MM		INCH		DRWN BY		DATE		
							3 PLACES ±						GMENARLY		2015/05/22		
							2 PLACES ± 0.2						CHK'D BY		DATE		
							1 PLACES ±						CGOH		2015/09/21		
						0 PLACES ±						APPR BY		DATE			
												KHLIM		2015/09/22			
								ANGULAR TOL = 3.0		DRAWING SIZE		THIRD ANGLE PROJECTION		PRODUCT CUSTOMER DRAWING			
								DRAFT WHERE APPLICABLE MUST REMAIN WITHIN DIMENSIONS		A3				SERIES			
														87832		MATERIAL NUMBER	
														SEE TABLE		CUSTOMER	
														GENERAL MARKET			
														DOCUMENT NUMBER		DOC TYPE	
														SD-87832-0001		PSD	
														DOC PART		SHEET NUMBER	
														001		3 OF 13	

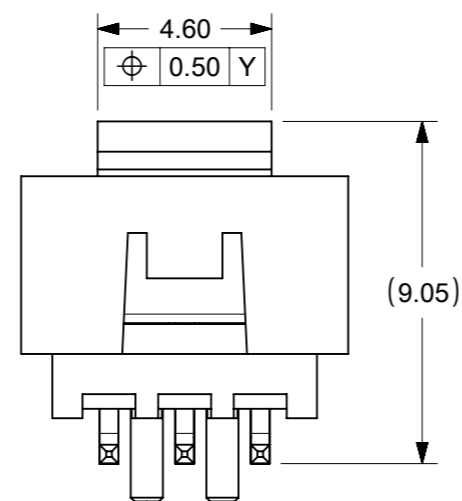
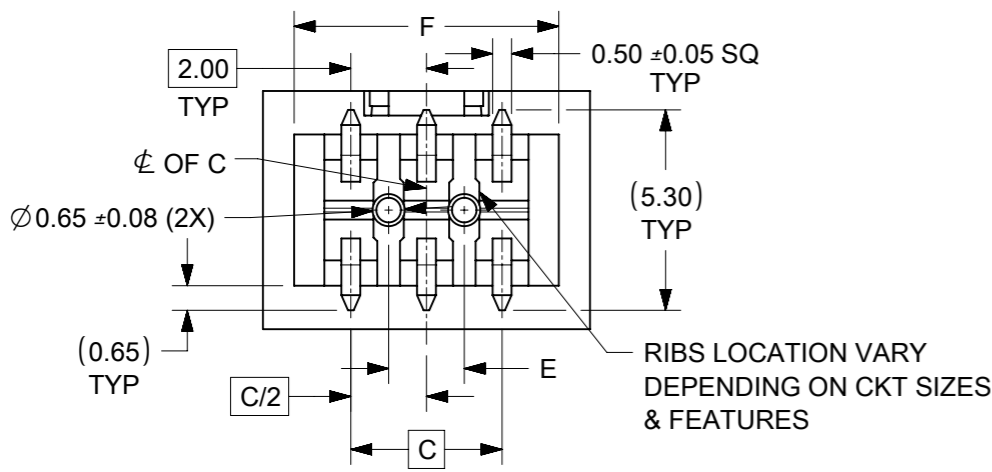
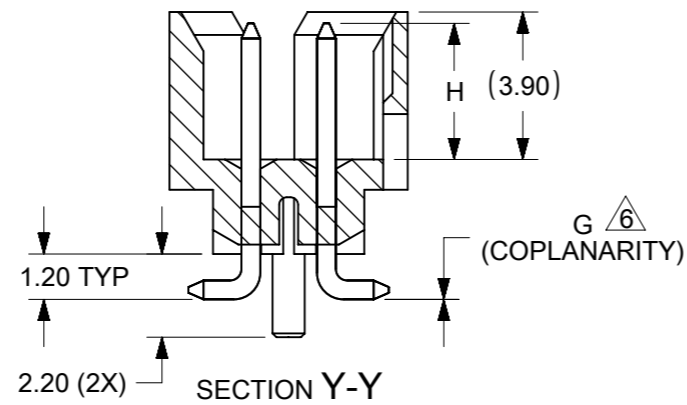
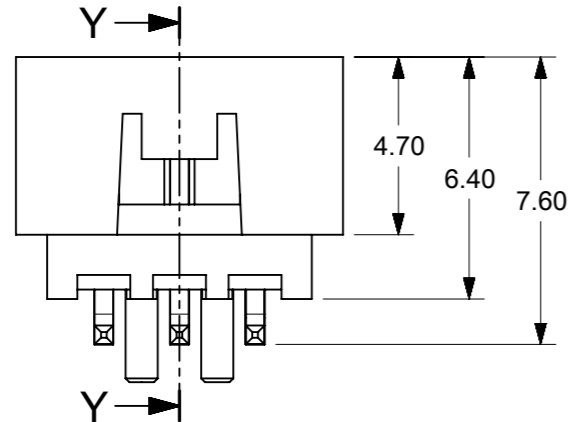
RELEASE STATUS	P1	RELEASE DATE	2019/07/23	11:08:01
----------------	----	--------------	------------	----------



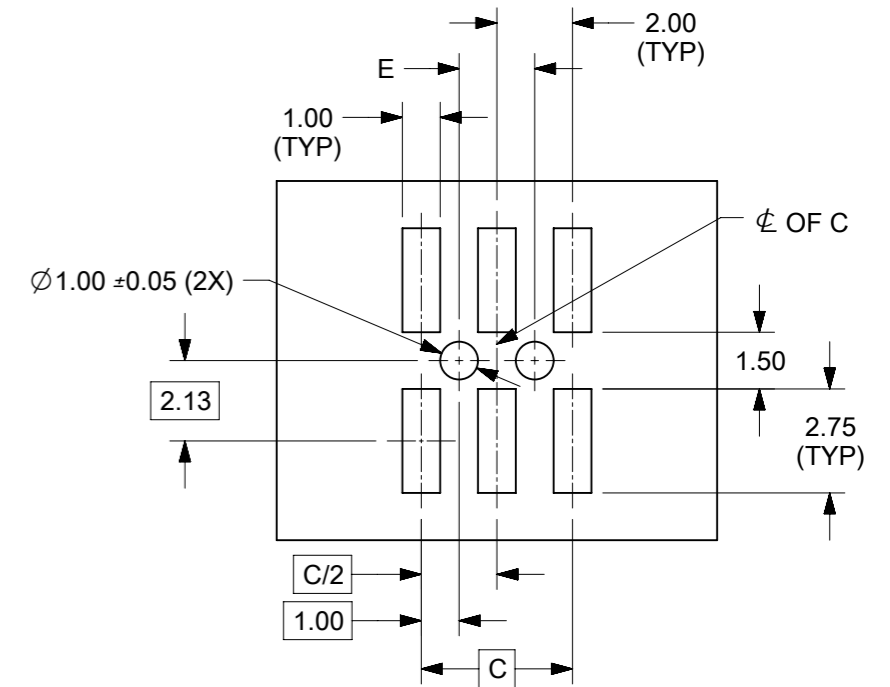
6 CIRCUITS



VIEW FOR HEADER WITH ONLY DUAL SLOTS



VIEW FOR HEADER WITH CAP



RECOMMENDED PCB LAYOUT

- NOTES:**
- MATERIALS:**
HOUSING & CAP: 30% GF, NYLON, UL94V-0, COLOR: BLACK
PIN: 0.50mm SQ. PHOSPHOR BRONZE
 - FINISHES:** REFER TO PLATING OPTIONS
 - PRODUCT SPECIFICATION:** PS-87831-027
 - PACKAGING SPECIFICATION:** SEE PACKAGING SPECS TABLE ON SHEET 12
 - MATES WITH:** A. MOLEX CRIMP RECEPTACLE HOUSING: 51110 SERIES AND CRIMP TERMINAL: 50394 SERIES
B. MOLEX 2mm MILLIGRID DUAL ROW IDT: 87568 SERIES
C. MOLEX 2mm MILLIGRID DUAL ROW RECEPTACLE: 79107 (GOLD PLATED), 78787 (TIN PLATED)
- △ COPLANARITY IS TO BE MEASURED BY RESTING THE SOLDER TAIL ON A GAUGE SURFACE**
- BEND DEPRESSION ON SMT TAIL IS ACCEPTABLE SO LONG AS IT DOES NOT AFFECT THE OVERALL COPLANARITY
 - TOP SURFACE OF CAP TO BE FLAT FOR THE PURPOSE OF PICK & PLACE BY VACUUM SUCTION NOZZLE

THIS DRAWING CONTAINS INFORMATION THAT IS PROPRIETARY TO MOLEX ELECTRONIC TECHNOLOGIES, LLC AND SHOULD NOT BE USED WITHOUT WRITTEN PERMISSION

ADDED BTB DIST. EC NO: 621140 DRWN: NMANE02 CHK'D: NMANE02 REV APPR: MRAMAKRISHNA	2019/07/23	2019/07/23	GENERAL TOLERANCES (UNLESS SPECIFIED)		DIMENSION UNITS		SCALE					
			MM	INCH	MM	NTS						
			4 PLACES	±	±	DRWN BY	DATE	MILLIGRID 2MM PITCH, SMT VERTICAL SHROUDED HEADER				
			3 PLACES	±	±	GMENARLY	2015/05/22					
		2 PLACES	± 0.2	±	CHK'D BY	DATE	PRODUCT CUSTOMER DRAWING					
		1 PLACES	±	±	CGOH	2015/09/21						
		0 PLACES	±	±	APPR BY	DATE	GENERAL MARKET					
					KHLIM	2015/09/22						
			ANGULAR TOL = 3.0		DRAWING SIZE	THIRD ANGLE PROJECTION	SERIES	MATERIAL NUMBER	CUSTOMER			
			DRAFT WHERE APPLICABLE MUST REMAIN WITHIN DIMENSIONS		A3		87832	SEE TABLE	GENERAL MARKET			
							DOCUMENT NUMBER		DOC TYPE	DOC PART	SHEET NUMBER	
							SD-87832-0001		PSD	001	4 OF 13	

6 CIRCUITS

CKT SIZE	ASSY P/N WITHOUT CAP IN TUBE	ASSY P/N WITH CAP IN TUBE	ASSY P/N WITH CAP IN T&R	T&R OPTIONS (SEE SHEET 12)	PLATING OPTIONS	FRICTION LOCKS		DUAL SIDE SLOTS	CENTER POLARIZATION	PEGS	DIMENSION							
						DUAL	CENTER				A	B	C	D	E	F	G (COPLAN)	H
6	87832-0660	87832-0662	87832-5262	1	1	N.A	N.A	YES	N.A	YES	8.65	6.85	4.00	N.A	2.00	7.00	0.10	3.60±0.20
	87832-0620	87832-0622	87832-5222	1	2													
	87832-0621	87832-0623	87832-5223	1	3													
	87832-0670	87832-0672	87832-5272	1	4													
	87832-0612	87832-0616	87832-0614	1	2	N.A	N.A	YES	N.A	N.A							0.10	3.60±0.20
	87832-0613	87832-0617	87832-0615	1	3	N.A	N.A	YES	YES	N.A								
	87832-0624	87832-0626	87832-0628	1	2	N.A	YES	YES	N.A	N.A								
	87832-0625	87832-0627	87832-0629	1	3	N.A	YES	YES	N.A	YES							0.10	3.60±0.15
	87832-0610	87832-0608	87832-0606	1	2													
	87832-0611	87832-0609	87832-0607	1	3													
87832-0604	N.A	N.A	N.A	2	N.A	YES	YES	N.A	YES	0.10	3.60±0.20							

PLATING OPTIONS:

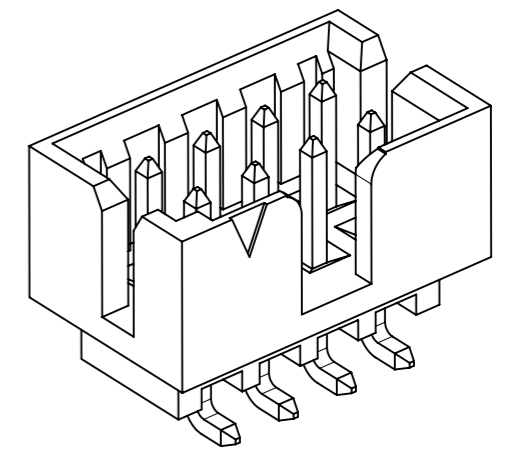
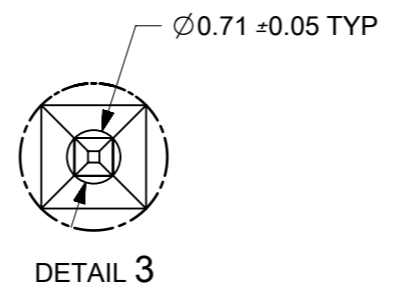
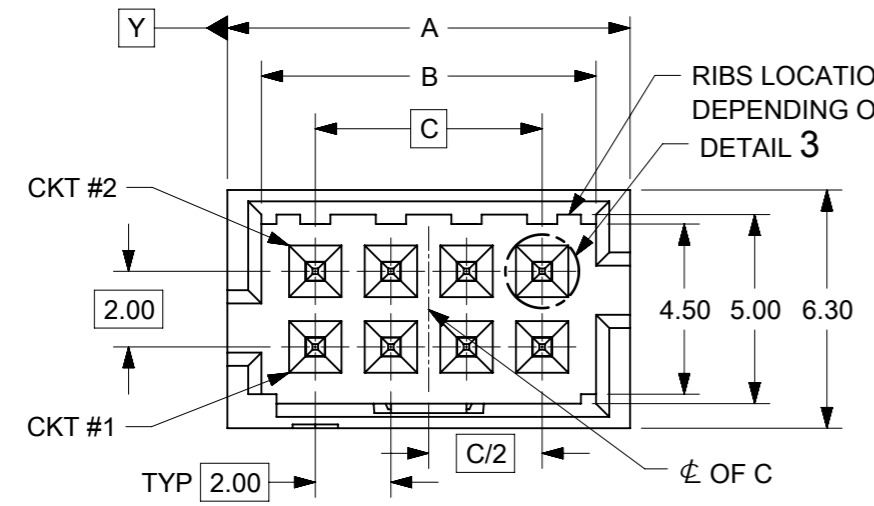
- 1 - 0.05-0.13µm/2-5µin GOLD IN CONTACT AREA AND
1.88µm/75µin MIN. MATTE TIN IN SOLDER TAIL AREA OVER
1.27µm/50µin MIN. NICKEL OVERALL.
- 2 - 0.38µm/15µin MIN. GOLD IN CONTACT AREA AND
1.88µm/75µin MIN. MATTE TIN IN SOLDER TAIL AREA OVER
1.27µm/50µin MIN. NICKEL OVERALL.
- 3 - 0.76µm/30µin MIN. GOLD IN CONTACT AREA AND
1.88µm/75µin MIN. MATTE TIN IN SOLDER TAIL AREA OVER
1.27µm/50µin MIN. NICKEL OVERALL.
- 4 - 2.50µm/100µin MIN. MATTE TIN OVER 1.25µm/50µin MIN. NICKEL OVERALL.

THIS DRAWING CONTAINS INFORMATION THAT IS PROPRIETARY TO MOLEX ELECTRONIC TECHNOLOGIES, LLC AND SHOULD NOT BE USED WITHOUT WRITTEN PERMISSION

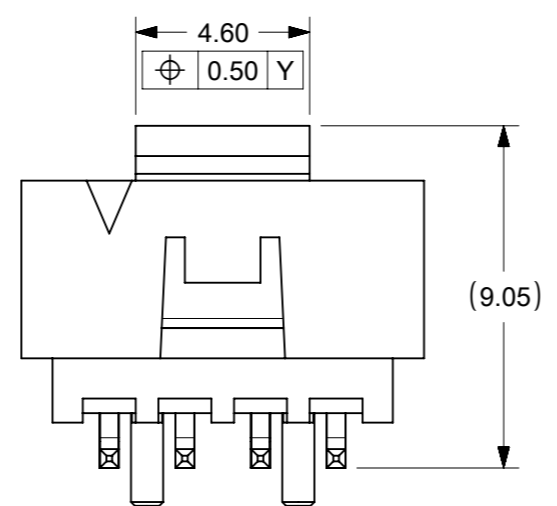
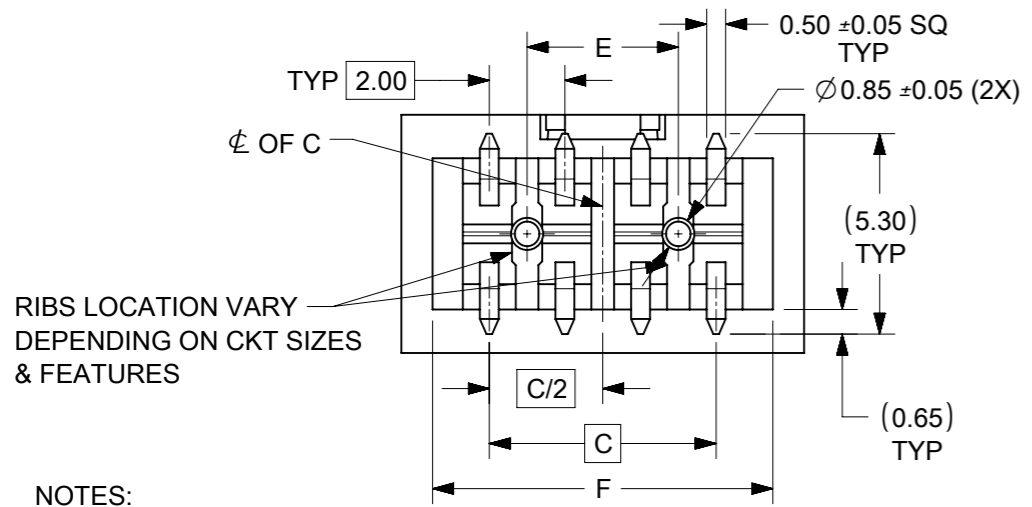
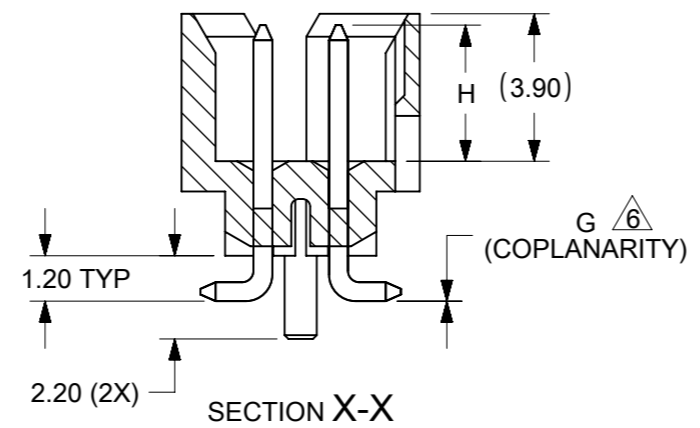
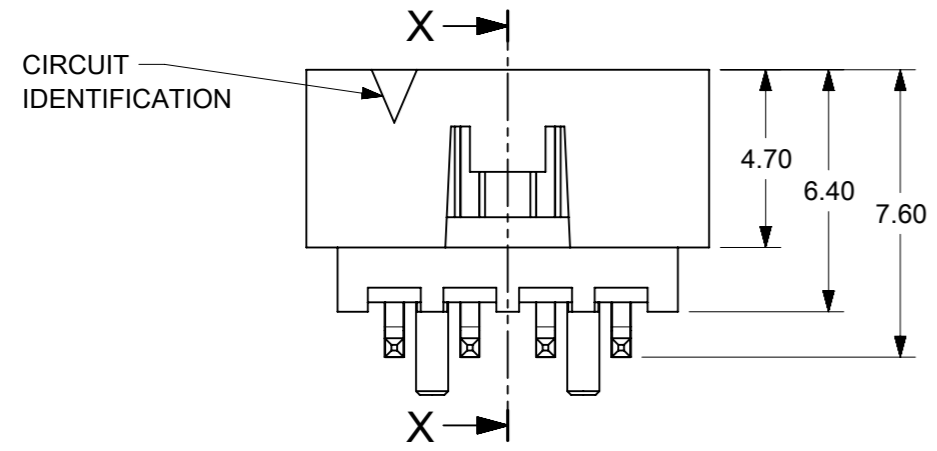
ADDED BTB DIST. EC NO: 621140 DRWN: NMANE02 CHKD: NMANE02 REV APPR: MRAMAKRISHNA	2019/07/23	GENERAL TOLERANCES (UNLESS SPECIFIED)		DIMENSION UNITS	SCALE				
	2019/07/23	MM	INCH	MM	NTS				
	2019/07/23	4 PLACES ±	±	DRWN BY	DATE	MILLIGRID 2MM PITCH, SMT VERTICAL SHROUDED HEADER PRODUCT CUSTOMER DRAWING			
	2019/07/23	3 PLACES ±	±	GMENARLY	2015/05/22				
	2019/07/23	2 PLACES ± 0.2	±	CHK'D BY	DATE				
	2019/07/23	1 PLACES ±	±	CGOH	2015/09/21				
2019/07/23	0 PLACES ±	±	APPR BY	DATE					
2019/07/23	ANGULAR TOL = 3.0	±	KHLIM	2015/09/22	SERIES	MATERIAL NUMBER	CUSTOMER		
2019/07/23	DRAFT WHERE APPLICABLE MUST REMAIN WITHIN DIMENSIONS	±	DRAWING SIZE	THIRD ANGLE PROJECTION	87832	SEE TABLE	GENERAL MARKET		
2019/07/23	A12	±	A3		DOCUMENT NUMBER		DOC TYPE	DOC PART	SHEET NUMBER
2019/07/23	11:08:01	±	SD-87832-0001	PSD	001	5 OF 13			

RELEASE STATUS	P1	RELEASE DATE	2019/07/23	11:08:01
----------------	----	--------------	------------	----------

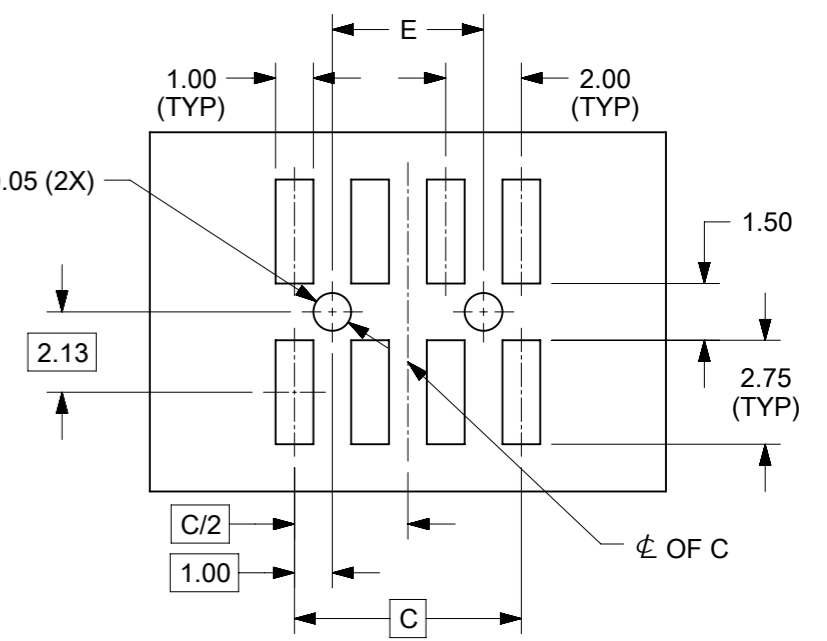
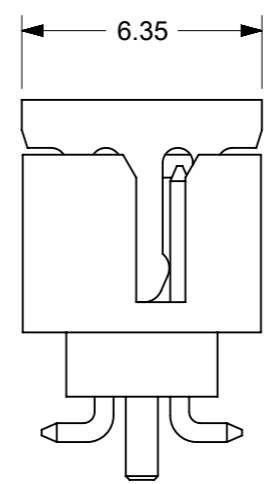
8 TO 12 CIRCUITS



ISO VIEW OF HEADER WITH CENTER POLARIZATION AND DUAL SIDE SLOTS



VIEW FOR HEADER WITH CAP



RECOMMENDED PCB LAYOUT

- NOTES:
- MATERIALS:
HOUSING & CAP: 30% GF, NYLON, UL94V-0, COLOR: BLACK
PIN: 0.50mm SQ. PHOSPHOR BRONZE
 - FINISHES: REFER TO PLATING OPTIONS
 - PRODUCT SPECIFICATION: PS-87831-027
 - PACKAGING SPECIFICATION: SEE PACKAGING SPECS TABLE ON SHEET 12
 - MATES WITH: A. MOLEX CRIMP RECEPTACLE HOUSING: 51110 SERIES AND CRIMP TERMINAL: 50394 SERIES
B. MOLEX 2mm MILLIGRID DUAL ROW IDT: 87568 SERIES
C. MOLEX 2mm MILLIGRID DUAL ROW RECEPTACLE: 79107 (GOLD PLATED), 78787 (TIN PLATED)
 - COPLANARITY IS TO BE MEASURED BY RESTING THE SOLDER TAIL ON A GAUGE SURFACE
 - BEND DEPRESSION ON SMT TAIL IS ACCEPTABLE SO LONG AS IT DOES NOT AFFECT THE OVERALL COPLANARITY
 - TOP SURFACE OF CAP TO BE FLAT FOR THE PURPOSE OF PICK & PLACE BY VACUUM SUCTION NOZZLE

THIS DRAWING CONTAINS INFORMATION THAT IS PROPRIETARY TO MOLEX ELECTRONIC TECHNOLOGIES, LLC AND SHOULD NOT BE USED WITHOUT WRITTEN PERMISSION

EC NO: 621140 DRWN: NMANE02 CHK'D: NMANE02 APPR: MIRAMAKRISHNA	2019/07/23	2019/07/23	2019/07/23	GENERAL TOLERANCES (UNLESS SPECIFIED)		DIMENSION UNITS	SCALE				
				MM	INCH	MM	NTS				
	ADDED BTB DIST.				4 PLACES	±	±	DRWN BY	DATE	MILLIGRID 2MM PITCH, SMT VERTICAL SHROUDED HEADER	
					3 PLACES	±	±	GMENARLY	2015/05/22		
					2 PLACES	± 0.2	±	CHK'D BY	DATE	PRODUCT CUSTOMER DRAWING	
				1 PLACES	±	±	CGOH	2015/09/21			
				0 PLACES	±	±	APPR BY	DATE	SERIES: 87832 MATERIAL NUMBER: SEE TABLE CUSTOMER: GENERAL MARKET		
							KHLIM	2015/09/22			
				ANGULAR TOL = 3.0		DRAWING SIZE	THIRD ANGLE PROJECTION	DOCUMENT NUMBER: SD-87832-0001 DOC TYPE: PSD DOC PART: 001 SHEET NUMBER: 6 OF 13			
				DRAFT WHERE APPLICABLE MUST REMAIN WITHIN DIMENSIONS		A3					

8 TO 12 CIRCUITS

CKT SIZE	ASSY P/N WITHOUT CAP IN TUBE	ASSY P/N WITH CAP IN TUBE	ASSY P/N WITH CAP IN T&R	T&R OPTIONS (SEE SHEET 12)	PLATING OPTIONS	FRICTION LOCKS		DUAL SIDE SLOTS	CENTER POLARIZATION	PEGS	DIMENSION							
						DUAL	CENTER				A	B	C	D	E	F	G (COPLAN)	H
8	87832-0860	87832-0862	87832-5362	1	1	N.A	N.A	YES	YES	YES	10.65	8.85	6.00	N.A	4.00	9.00	0.10	3.60±0.20
	87832-0820	87832-0822	87832-5322	1	2													
	87832-0821	87832-0823	87832-5323	1	3													
	87832-0870	87832-0872	87832-5372	1	4	N.A	N.A	YES	YES	N.A							0.10	3.60±0.20
	87832-0812	87832-0816	87832-0814	1	2													
	87832-0824	87832-0826	87832-0828	1	2	N.A	YES	YES	N.A	N.A							0.10	3.60±0.15
	87832-0825	87832-0827	87832-0829	1	3													
	87832-0810	87832-0808	87832-0806	1	2	N.A	YES	YES	N.A	YES							0.10	3.60±0.20
	87832-0811	87832-0809	87832-0807	1	3													
87832-0804	N.A	N.A	N.A	2	N.A	YES	YES	N.A	YES	0.10	3.60±0.20							
10 (A11)	87832-1060	87832-1062	87832-5462	1	1	N.A	N.A	YES	YES	YES	12.65	10.85	8.00	N.A	6.00	11.00	0.10	3.60±0.20
	87832-1020	87832-1022	87832-5422	1	2													
	87832-1021	87832-1023	87832-5423	1	3													
			87832-9423	2														
	87832-1070	87832-1072	87832-5472	1	4	N.A	N.A	YES	YES	N.A							0.10	3.60±0.20
	87832-1012	87832-1016	87832-1014	1	2													
	87832-1019	87832-1045	87832-1035	1	1	N.A	YES	YES	N.A	N.A							0.10	3.60±0.15
	87832-1024	87832-1026	87832-1028	1	2													
	(A11) N.A	N.A	87832-1055	1	1	N.A	YES	YES	N.A	N.A							0.10	3.60±0.20
	87832-1025	87832-1027	87832-1029	1	3													
87832-1010	87832-1008	87832-1006	1	2	N.A	YES	YES	N.A	YES	0.10	3.60±0.20							
87832-1011	87832-1009	87832-1007	1	3														
87832-1004	N.A	N.A	N.A	2	N.A	YES	YES	N.A	YES	0.10	3.60±0.20							
12	87832-1260	87832-1262	87832-5562	1	1	N.A	N.A	YES	YES	YES	14.65	12.85	10.00	N.A	8.00	13.00	0.10	3.60±0.20
	87832-1220	87832-1222	87832-5522	1	2													
	87832-1221	87832-1223	87832-5523	1	3													
			87832-9623	2														
	87832-1270	87832-1272	87832-5572	1	4	N.A	YES	YES	N.A	N.A							0.10	3.60±0.15
	87832-1224	87832-1226	87832-1228	1	2													
	87832-1225	87832-1227	87832-1229	1	3	N.A	YES	YES	N.A	YES							0.10	3.60±0.20
	87832-1210	87832-1208	87832-1206	1	2													
	87832-1211	87832-1209	87832-1207	1	3	N.A	YES	YES	N.A	YES							0.10	3.60±0.20
87832-1204	N.A	N.A	N.A	2														
87832-1212	N.A	N.A	N.A	2	N.A	N.A	YES	YES	N.A	0.10	3.60±0.20							

PLATING OPTIONS:

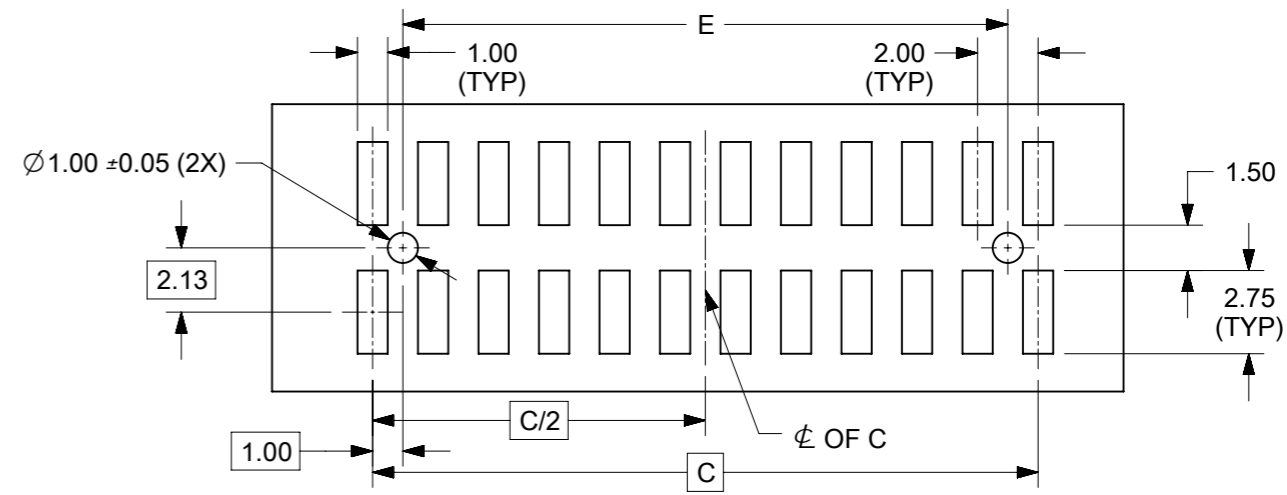
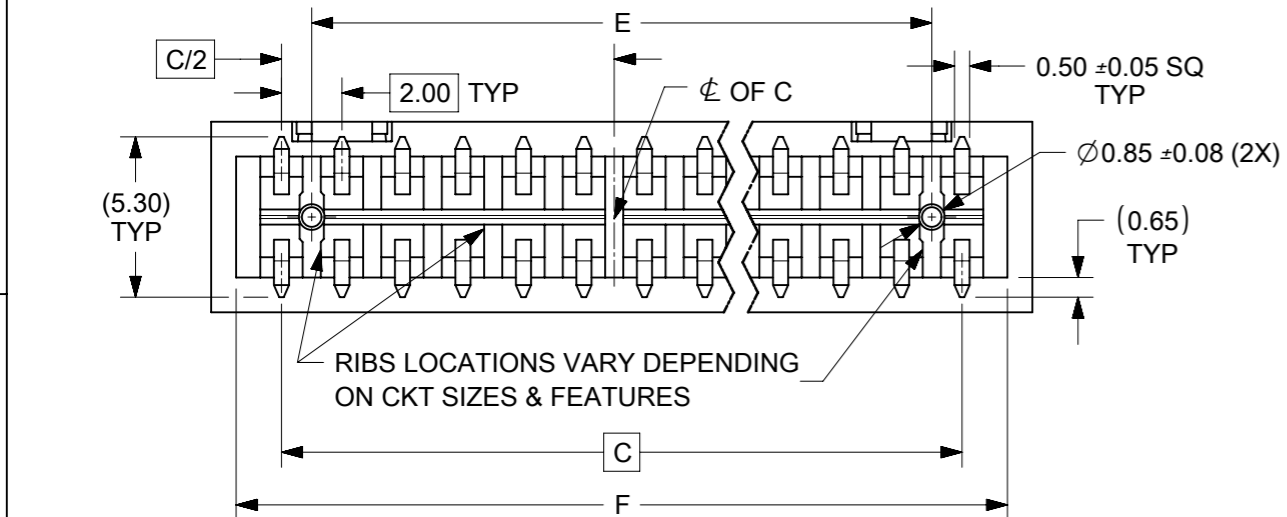
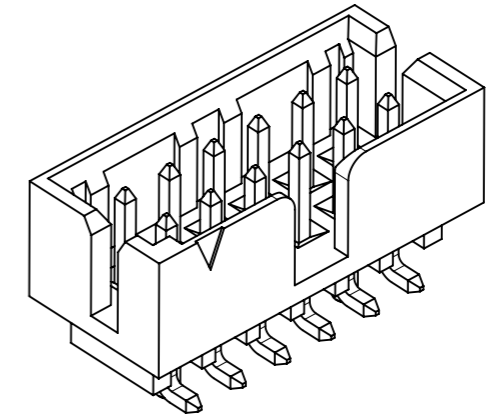
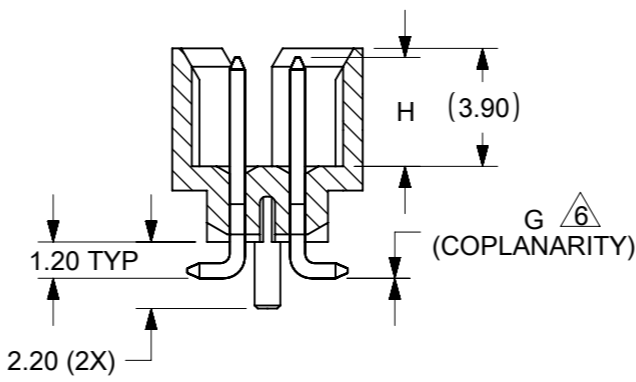
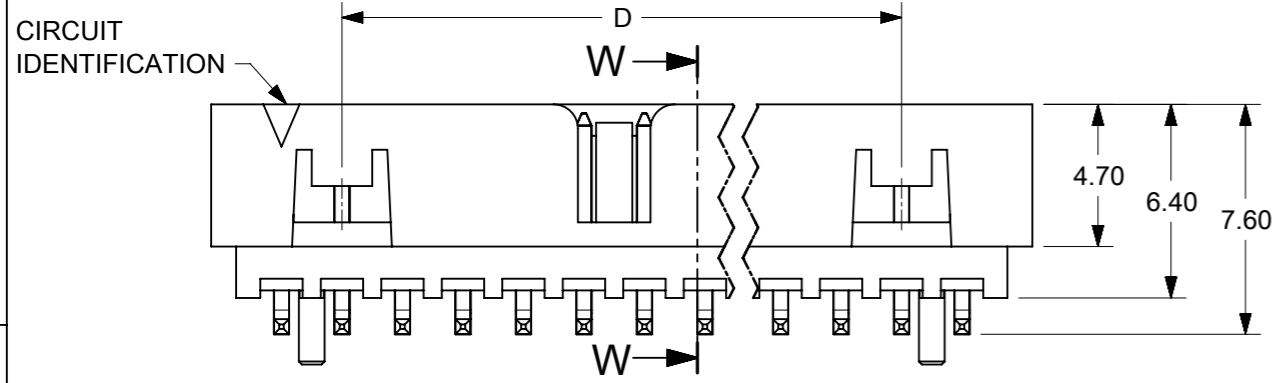
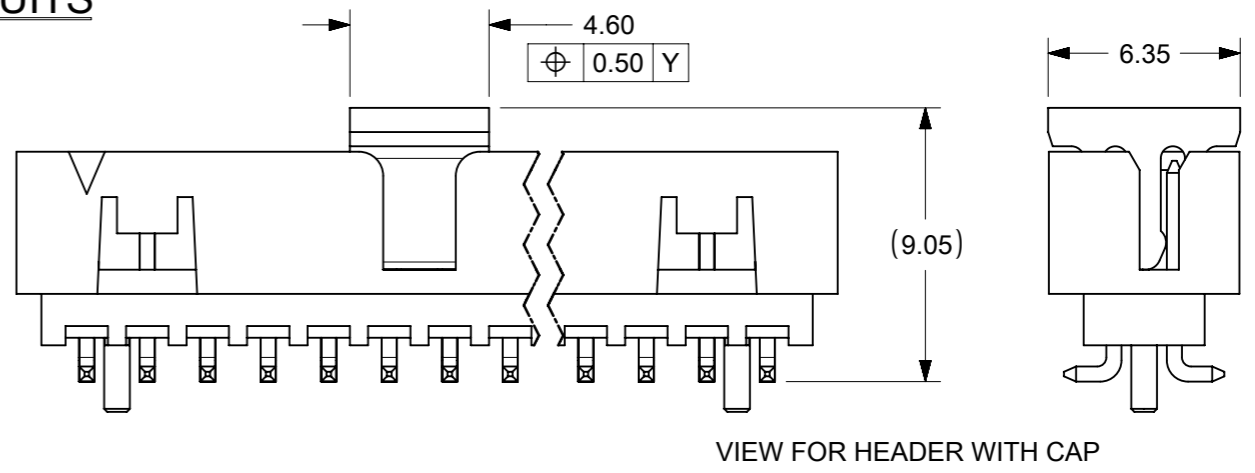
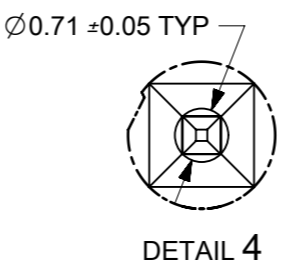
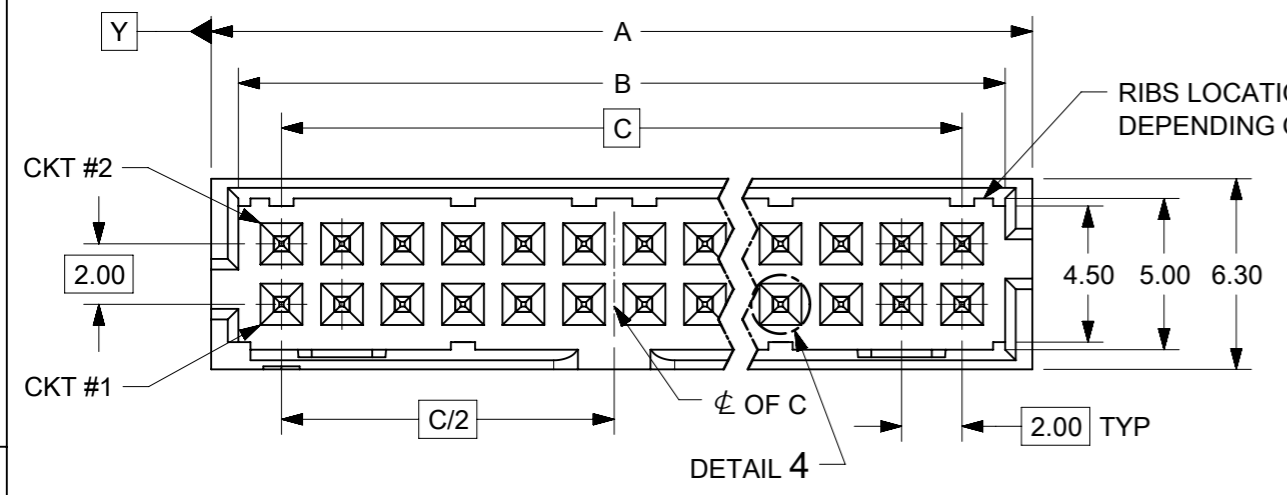
- 1 - 0.05-0.13µm/2-5µin GOLD IN CONTACT AREA AND 1.88µm/75µin MIN. MATTE TIN IN SOLDER TAIL AREA OVER 1.27µm/50µin MIN. NICKEL OVERALL.
- 2 - 0.38µm/15µin MIN. GOLD IN CONTACT AREA AND 1.88µm/75µin MIN. MATTE TIN IN SOLDER TAIL AREA OVER 1.27µm/50µin MIN. NICKEL OVERALL.
- 3 - 0.76µm/30µin MIN. GOLD IN CONTACT AREA AND 1.88µm/75µin MIN. MATTE TIN IN SOLDER TAIL AREA OVER 1.27µm/50µin MIN. NICKEL OVERALL.
- 4 - 2.50µm/100µin MIN. MATTE TIN OVER 1.25µm/50µin MIN. NICKEL OVERALL.

THIS DRAWING CONTAINS INFORMATION THAT IS PROPRIETARY TO MOLEX ELECTRONIC TECHNOLOGIES, LLC AND SHOULD NOT BE USED WITHOUT WRITTEN PERMISSION

ADDED BTB DIST. EC NO: 621140 DRWN: NMANE02 CHKD: NMANE02 REV APPR: MIRAMAKRISHNA	GENERAL TOLERANCES (UNLESS SPECIFIED)		DIMENSION UNITS		SCALE		 MILLIGRID 2MM PITCH, SMT VERTICAL SHROUDED HEADER PRODUCT CUSTOMER DRAWING	
			MM	INCH	MM	NTS		SERIES: 87832 MATERIAL NUMBER: SEE TABLE CUSTOMER: GENERAL MARKET
	4 PLACES ±				DRWN BY: GMENARLY	DATE: 2015/05/22		
	3 PLACES ±				CHK'D BY: CGOH	DATE: 2015/09/21		
2 PLACES ± 0.2				APPR BY: KHLIM	DATE: 2015/09/22			
1 PLACES ±						DOCUMENT NUMBER: SD-87832-0001 DOC TYPE: PSD DOC PART: 001 SHEET NUMBER: 7 OF 13		
0 PLACES ±								
ANGULAR TOL = 3.0				DRAWING SIZE: A3	THIRD ANGLE PROJECTION			
DRAFT WHERE APPLICABLE MUST REMAIN WITHIN DIMENSIONS								

RELEASE STATUS	P1	RELEASE DATE	2019/07/23	11:08:01
----------------	----	--------------	------------	----------

14 TO 50 CIRCUITS



- NOTES:**
- MATERIALS:**
HOUSING & CAP: 30% GF, NYLON, UL94V-0, COLOR: BLACK
PIN: 0.50mm SQ. PHOSPHOR BRONZE
 - FINISHES:** REFER TO PLATING OPTIONS
 - PRODUCT SPECIFICATION:** PS-87831-027
 - PACKAGING SPECIFICATION:** SEE PACKAGING SPECS TABLE ON SHEET 12
 - MATES WITH:** A. MOLEX CRIMP RECEPTACLE HOUSING: 51110 SERIES AND CRIMP TERMINAL: 50394 SERIES
B. MOLEX 2mm MILLIGRID DUAL ROW IDT: 87568 SERIES
C. MOLEX 2mm MILLIGRID DUAL ROW RECEPTACLE: 79107 (GOLD PLATED), 78787 (TIN PLATED)
 - COPLANARITY IS TO BE MEASURED BY RESTING THE SOLDER TAIL ON A GAUGE SURFACE
 - BEND DEPRESSION ON SMT TAIL IS ACCEPTABLE SO LONG AS IT DOES NOT AFFECT THE OVERALL COPLANARITY
 - TOP SURFACE OF CAP TO BE FLAT FOR THE PURPOSE OF PICK & PLACE BY VACUUM SUCTION NOZZLE

THIS DRAWING CONTAINS INFORMATION THAT IS PROPRIETARY TO MOLEX ELECTRONIC TECHNOLOGIES, LLC AND SHOULD NOT BE USED WITHOUT WRITTEN PERMISSION

EC NO: 621140 DRWN: NMANE02 CHKD: NMANE02 APPR: MIRAMAKRISHNA	2019/07/23	2019/07/23	2019/07/23	GENERAL TOLERANCES (UNLESS SPECIFIED)		DIMENSION UNITS		SCALE			
				MM	INCH	MM	NTS				
	4 PLACES	±	±	DRWN BY	DATE	GMENARLY	2015/05/22				
	3 PLACES	±	±	CHK'D BY	DATE	CGOH	2015/09/21				
			2 PLACES	± 0.2	±	APPR BY	DATE			MILLIGRID 2MM PITCH, SMT VERTICAL SHROUDED HEADER	
			1 PLACES	±	±	KHLIM	2015/09/22				
			0 PLACES	±	±	DRAWING SIZE		THIRD ANGLE PROJECTION			
			ANGULAR TOL = 3.0		A3						
			DRAFT WHERE APPLICABLE MUST REMAIN WITHIN DIMENSIONS								PRODUCT CUSTOMER DRAWING
			SERIES	MATERIAL NUMBER	CUSTOMER						
			87832	SEE TABLE	GENERAL MARKET						
			DOCUMENT NUMBER		DOC TYPE	DOC PART	SHEET NUMBER				
			SD-87832-0001		PSD	001	8 OF 13				


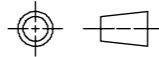
14 TO 24 CIRCUITS

CKT SIZE	ASSY P/N WITHOUT CAP IN TUBE	ASSY P/N WITH CAP IN TUBE	ASSY P/N WITH CAP IN T&R	T&R OPTIONS (SEE SHEET 12)	PLATING OPTIONS	FRICTION LOCKS		DUAL SIDE SLOTS	CENTER POLARIZATION	PEGS	DIMENSION							
						DUAL	CENTER				A	B	C	D	E	F	G (COPLAN)	H
14	87832-1460	87832-1462	87832-5662	1	1	YES	N.A	YES	YES	YES	16.65	14.85	12.00	8.00	10.00	15.00	0.15	3.60±0.20
	87832-1420	87832-1422	87832-5622	1	2													
	87832-1421	87832-1423	87832-5623	1	3													
			87832-9523	2														
	87832-1470	87832-1472	87832-5672	1	4													
87832-1412	87832-1416	87832-1414	1	2	YES	N.A	YES	YES	N.A	0.15	3.60±0.20							
16	87832-1660	87832-1662	87832-5762	1	1	YES	N.A	YES	YES	YES	18.65	16.85	14.00	10.00	12.00	17.00	0.15	3.60±0.20
	87832-1620	87832-1622	87832-5722	1	2													
	87832-1621	87832-1623	87832-5723	1	3													
	87832-1670	87832-1672	87832-5772	1	4													
	87832-1612	87832-1616	87832-1614	1	2													
(A11) 87832-1619	87832-1645	87832-1635	1	1	YES	N.A	YES	YES	N.A	0.15	3.60±0.20							
18	87832-1860	87832-1862	87832-5862	1	1	YES	N.A	YES	YES	YES	20.65	18.85	16.00	12.00	14.00	19.00	0.15	3.60±0.20
	87832-1820	87832-1822	87832-5822	1	2													
	87832-1821	87832-1823	87832-5823	1	3													
	87832-1870	87832-1872	87832-5872	1	4													
	87832-1812	87832-1816	87832-1814	3	2													
87832-1813	87832-1817	87832-1815	3	3	YES	N.A	YES	YES	N.A	0.15	3.60±0.20							
20	87832-2060	87832-2062	87832-5962	1	1	YES	N.A	YES	YES	YES	22.65	20.85	18.00	14.00	16.00	21.00	0.15	3.60±0.20
	87832-2020	87832-2022	87832-5922	1	2													
	87832-2021	87832-2023	87832-5923	1	3													
	87832-2070	87832-2072	87832-5972	1	4													
			87832-9672	2														
87832-2012	87832-2016	87832-2014	1	2	YES	N.A	YES	YES	N.A	0.15	3.60±0.20							
22	87832-2260	87832-2262	87832-6062	1	1	YES	N.A	YES	YES	YES	24.65	22.85	20.00	16.00	18.00	23.00	0.15	3.60±0.20
	87832-2220	87832-2222	87832-6022	1	2													
	87832-2221	87832-2223	87832-6023	1	3													
	87832-2270	87832-2272	87832-6072	1	4													
24	87832-2460	87832-2462	87832-6162	1	1	YES	N.A	YES	YES	YES	26.65	24.85	22.00	18.00	20.00	25.00	0.15	3.60±0.20
	87832-2420	87832-2422	87832-6122	1	2													
	87832-2421	87832-2423	87832-6123	1	3													
	87832-2470	87832-2472	87832-6172	1	4													
	87832-2412	87832-2416	87832-2414	1	2													

PLATING OPTIONS:

- 1 - 0.05-0.13µm/2-5µin GOLD IN CONTACT AREA AND 1.88µm/75µin MIN. MATTE TIN IN SOLDER TAIL AREA OVER 1.27µm/50µin MIN. NICKEL OVERALL.
- 2 - 0.38µm/15µin MIN. GOLD IN CONTACT AREA AND 1.88µm/75µin MIN. MATTE TIN IN SOLDER TAIL AREA OVER 1.27µm/50µin MIN. NICKEL OVERALL.
- 3 - 0.76µm/30µin MIN. GOLD IN CONTACT AREA AND 1.88µm/75µin MIN. MATTE TIN IN SOLDER TAIL AREA OVER 1.27µm/50µin MIN. NICKEL OVERALL.
- 4 - 2.50µm/100µin MIN. MATTE TIN OVER 1.25µm/50µin MIN. NICKEL OVERALL.

THIS DRAWING CONTAINS INFORMATION THAT IS PROPRIETARY TO MOLEX ELECTRONIC TECHNOLOGIES, LLC AND SHOULD NOT BE USED WITHOUT WRITTEN PERMISSION

ADDED BTB DIST. EC NO: 621140 DRWN: NMANE02 CHK'D: NMANE02 REV APPR: MRAMAKRISHNA	GENERAL TOLERANCES (UNLESS SPECIFIED)		DIMENSION UNITS		SCALE								
			MM	INCH	MM	NTS							
	4 PLACES ±		±	DRWN BY		DATE		MILLIGRID 2MM PITCH, SMT VERTICAL SHROUDED HEADER					
	3 PLACES ±		±	GMENARLY		2015/05/22							
	2 PLACES ± 0.2		±	CHK'D BY		DATE							
1 PLACES ±		±	CGOH		2015/09/21		PRODUCT CUSTOMER DRAWING						
0 PLACES ±		±	APPR BY		DATE								
ANGULAR TOL = 3.0		DRAWING SIZE		THIRD ANGLE PROJECTION		SERIES		MATERIAL NUMBER		CUSTOMER			
DRAFT WHERE APPLICABLE MUST REMAIN WITHIN DIMENSIONS		A3				87832		SEE TABLE		GENERAL MARKET			
						DOCUMENT NUMBER		DOC TYPE		DOC PART		SHEET NUMBER	
						SD-87832-0001		PSD		001		9 OF 13	


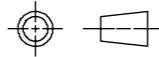
26 TO 38 CIRCUITS

CKT SIZE	ASSY P/N WITHOUT CAP IN TUBE	ASSY P/N WITH CAP IN TUBE	ASSY P/N WITH CAP IN T&R	T&R OPTIONS (SEE SHEET 12)	PLATING OPTIONS	FRICTION LOCKS		DUAL SIDE SLOTS	CENTER POLARIZATION	PEGS	DIMENSION							
						DUAL	CENTER				A	B	C	D	E	F	G (COPLAN)	H
26	87832-2660	87832-2662	87832-6262	1	1	YES	N.A	YES	YES	YES	28.65	26.85	24.00	20.00	22.00	27.00	0.15	3.60±0.20
	87832-2620	87832-2622	87832-6222	1	2													
	87832-2621	87832-2623	87832-6223	1	3													
	87832-2670	87832-2672	87832-6272	1	4													
	(A11) 87832-2612	87832-2616	N.A	N.A	2	YES	N.A	YES	YES	N.A							0.15	3.60±0.20
28	87832-2860	87832-2862	87832-6362	1	1	YES	N.A	YES	YES	YES	30.65	28.85	26.00	22.00	24.00	29.00	0.15	3.60±0.20
	87832-2820	87832-2822	87832-6322	1	2													
	87832-2821	87832-2823	87832-6323	1	3													
	87832-2870	87832-2872	87832-6372	1	4													
	N.A	87832-2816	N.A	1	2													
	N.A	87832-2819	N.A	1	1	YES	N.A	YES	YES	N.A								
30	87832-3060	87832-3062	87832-6462	1	1	YES	N.A	YES	YES	YES	32.65	30.85	28.00	24.00	26.00	31.00	0.15	3.60±0.20
	87832-3020	87832-3022	87832-6422	1	2													
	87832-3021	87832-3023	87832-6423	1	3													
	87832-3070	87832-3072	87832-6472	1	4													
	87832-3012	87832-3016	87832-3014	3	2	YES	N.A	YES	YES	N.A							0.15	3.60±0.20
32	87832-3260	87832-3262	87832-6562	1	1	YES	N.A	YES	YES	YES	34.65	32.85	30.00	26.00	28.00	33.00	0.15	3.60±0.20
	87832-3220	87832-3222	87832-6522	1	2													
	87832-3221	87832-3223	87832-6523	1	3													
	87832-3270	87832-3272	87832-6572	1	4													
34	87832-3460	87832-3462	87832-6662	1	1	YES	N.A	YES	YES	YES	36.65	34.85	32.00	28.00	30.00	35.00	0.15	3.60±0.20
	87832-3420	87832-3422	87832-6622	1	2													
	87832-3421	87832-3423	87832-6623	1	3													
	87832-3470	87832-3472	87832-6672	1	4													
	87832-3412	87832-3416	87832-3414	3	2													
	(A11) 87832-3419	87832-3445	87832-3435	3	1	YES	N.A	YES	YES	N.A							0.15	3.60±0.20
36	87832-3660	87832-3662	N.A	N.A	1	YES	N.A	YES	YES	YES	38.65	36.85	34.00	30.00	32.00	37.00	0.15	3.60±0.20
	87832-3620	87832-3622	N.A	N.A	2													
	87832-3621	87832-3623	N.A	N.A	3													
	87832-3670	87832-3672	N.A	N.A	4													
38	87832-3860	87832-3862	N.A	N.A	1	YES	N.A	YES	YES	YES	40.65	38.85	36.00	32.00	34.00	39.00	0.15	3.60±0.20
	87832-3820	87832-3822	87832-6822	N.A	2													
	87832-3821	87832-3823	N.A	N.A	3													
	87832-3870	87832-3872	N.A	N.A	4													

PLATING OPTIONS:

- 0.05-0.13µm/2-5µin GOLD IN CONTACT AREA AND 1.88µm/75µin MIN. MATTE TIN IN SOLDER TAIL AREA OVER 1.27µm/50µin MIN. NICKEL OVERALL.
- 0.38µm/15µin MIN. GOLD IN CONTACT AREA AND 1.88µm/75µin MIN. MATTE TIN IN SOLDER TAIL AREA OVER 1.27µm/50µin MIN. NICKEL OVERALL.
- 0.76µm/30µin MIN. GOLD IN CONTACT AREA AND 1.88µm/75µin MIN. MATTE TIN IN SOLDER TAIL AREA OVER 1.27µm/50µin MIN. NICKEL OVERALL.
- 2.50µm/100µin MIN. MATTE TIN OVER 1.25µm/50µin MIN. NICKEL OVERALL.

THIS DRAWING CONTAINS INFORMATION THAT IS PROPRIETARY TO MOLEX ELECTRONIC TECHNOLOGIES, LLC AND SHOULD NOT BE USED WITHOUT WRITTEN PERMISSION

ADDED BTB DIST. EC NO: 621140 DRWN: NMANE02 CHKD: NMANE02 REV APPR: MIRAMAKRISHNA	GENERAL TOLERANCES (UNLESS SPECIFIED)		DIMENSION UNITS		SCALE		 MILLIGRID 2MM PITCH, SMT VERTICAL SHROUDED HEADER PRODUCT CUSTOMER DRAWING			
			MM	INCH	MM	NTS				
	4 PLACES ±		DRWN BY		DATE					
	3 PLACES ±		GMENARLY		2015/05/22					
2 PLACES ± 0.2		CHK'D BY		DATE		SERIES	MATERIAL NUMBER	CUSTOMER		
1 PLACES ±		CGOH		2015/09/21						
0 PLACES ±		APPR BY		DATE						
ANGULAR TOL = 3.0		KHLIM		2015/09/22		87832	SEE TABLE	GENERAL MARKET		
DRAFT WHERE APPLICABLE MUST REMAIN WITHIN DIMENSIONS		DRAWING SIZE		THIRD ANGLE PROJECTION		DOCUMENT NUMBER				
A12		A3				SD-87832-0001		DOC TYPE	DOC PART	SHEET NUMBER
						PSD	001	10 OF 13		

40 TO 50 CIRCUITS

CKT SIZE	ASSY P/N WITHOUT CAP IN TUBE	ASSY P/N WITH CAP IN TUBE	ASSY P/N WITH CAP IN T&R	T&R OPTIONS (SEE SHEET 12)	PLATING OPTIONS	FRICTION LOCKS		DUAL SIDE SLOTS	CENTER POLARIZATION	PEGS	DIMENSION							
						DUAL	CENTER				A	B	C	D	E	F	G (COPLAN)	H
40	87832-4060	87832-4062	87832-6962	1	1	YES	N.A	YES	YES	YES	42.65	40.85	38.00	34.00	36.00	41.00	0.15	3.60±0.20
	87832-4020	87832-4022	87832-6922	1	2													
	87832-4021	87832-4023	87832-6923	1	3													
	87832-4070	87832-4072	87832-6972	1	4													
	87832-4012	87832-4016	N.A	N.A	2	YES	N.A	YES	YES	N.A							0.15	3.60±0.20
42	87832-4260	87832-4262	N.A	N.A	1	YES	N.A	YES	YES	YES	44.65	42.85	40.00	36.00	38.00	43.00	0.15	3.60±0.20
	87832-4220	87832-4222	N.A	N.A	2													
	87832-4221	87832-4223	N.A	N.A	3													
	87832-4270	87832-4272	N.A	N.A	4													
44	87832-4460	87832-4462	87832-7162	1	1	YES	N.A	YES	YES	YES	46.65	44.85	42.00	38.00	40.00	45.00	0.15	3.60±0.20
	87832-4420	87832-4422	87832-7122	1	2													
	87832-4421	87832-4423	87832-7123	1	3													
	87832-4470	87832-4472	87832-7172	1	4													
	87832-4413	87832-4417	87832-4415	3	3	YES	N.A	YES	YES	N.A							0.15	3.60±0.20
46	87832-4660	87832-4662	87832-7262	1	1	YES	N.A	YES	YES	YES	48.65	46.85	44.00	40.00	42.00	47.00	0.15	3.60±0.20
	87832-4620	87832-4622	87832-7222	1	2													
	87832-4621	87832-4623	N.A	N.A	3													
	87832-4670	87832-4672	87832-7272	1	4													
48	87832-4860	87832-4862	N.A	N.A	1	YES	N.A	YES	YES	YES	50.65	48.85	46.00	42.00	44.00	49.00	0.15	3.60±0.20
	87832-4820	87832-4822	N.A	N.A	2													
	87832-4821	87832-4823	N.A	N.A	3													
	87832-4870	87832-4872	N.A	N.A	4													
50	87832-5060	87832-5062	87832-7462	1	1	YES	N.A	YES	YES	YES	52.65	50.85	48.00	44.00	46.00	51.00	0.15	3.60±0.20
	87832-5020	87832-5022	87832-7422	1	2													
	87832-5021	87832-5023	87832-7423	1	3													
	87832-5070	87832-5072	87832-7472	1	4													
	87832-5012	87832-5016	N.A	N.A	2	YES	N.A	YES	YES	N.A							0.15	3.60±0.20

PLATING OPTIONS:

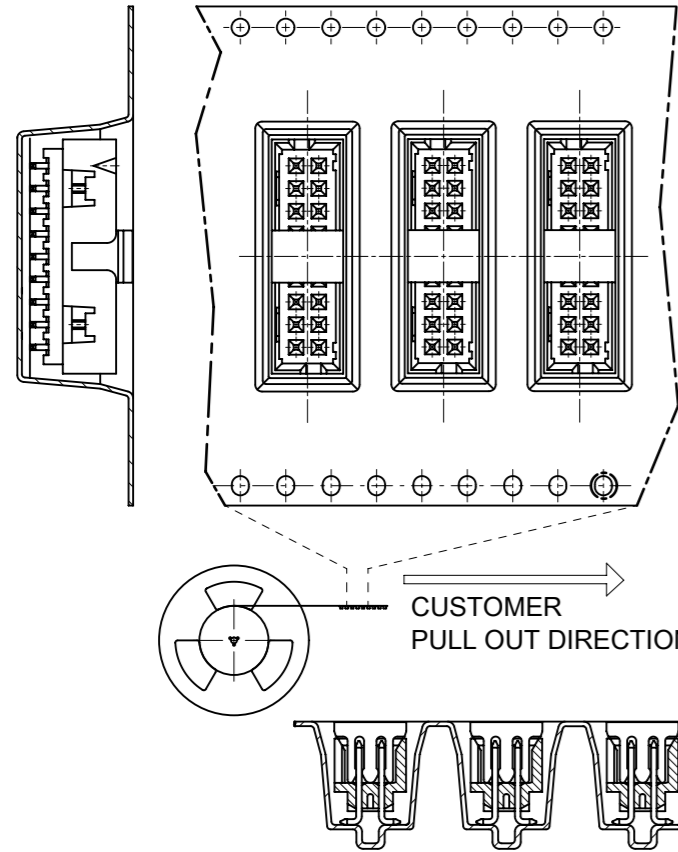
- 1 - 0.05-0.13µm/2-5µin GOLD IN CONTACT AREA AND 1.88µm/75µin MIN. MATTE TIN IN SOLDER TAIL AREA OVER 1.27µm/50µin MIN. NICKEL OVERALL.
- 2 - 0.38µm/15µin MIN. GOLD IN CONTACT AREA AND 1.88µm/75µin MIN. MATTE TIN IN SOLDER TAIL AREA OVER 1.27µm/50µin MIN. NICKEL OVERALL.
- 3 - 0.76µm/30µin MIN. GOLD IN CONTACT AREA AND 1.88µm/75µin MIN. MATTE TIN IN SOLDER TAIL AREA OVER 1.27µm/50µin MIN. NICKEL OVERALL.
- 4 - 2.50µm/100µin MIN. MATTE TIN OVER 1.25µm/50µin MIN. NICKEL OVERALL.

THIS DRAWING CONTAINS INFORMATION THAT IS PROPRIETARY TO MOLEX ELECTRONIC TECHNOLOGIES, LLC AND SHOULD NOT BE USED WITHOUT WRITTEN PERMISSION

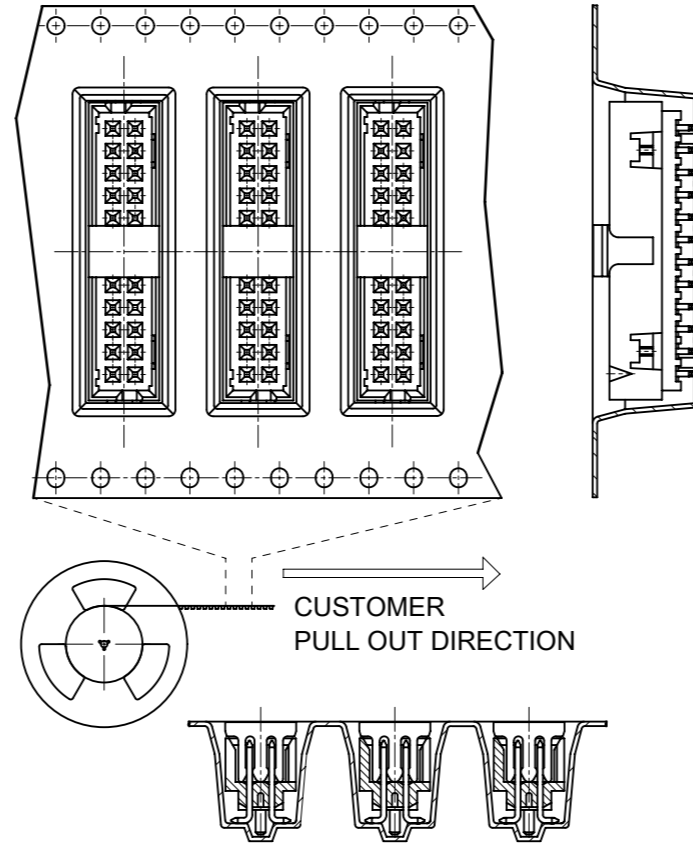
ADDED BTB DIST. EC NO: 621140 DRWN: NMANE02 CHKD: NMANE02 REV APPR: MRAMAKRISHNA	2019/07/23	GENERAL TOLERANCES (UNLESS SPECIFIED)		DIMENSION UNITS	SCALE	molex®			
	2019/07/23	MM	INCH	MM	NTS	MILLIGRID 2MM PITCH, SMT VERTICAL SHROUDED HEADER PRODUCT CUSTOMER DRAWING SERIES: 87832 MATERIAL NUMBER: SEE TABLE CUSTOMER: GENERAL MARKET DOCUMENT NUMBER: SD-87832-0001 DOC TYPE: PSD DOC PART: 001 SHEET NUMBER: 11 OF 13			
	2019/07/23	4 PLACES ±	±	DRWN BY	DATE				
	2019/07/23	3 PLACES ±	±	GMENARLY	2015/05/22				
	2019/07/23	2 PLACES ± 0.2	±	CHK'D BY	DATE				
2019/07/23	1 PLACES ±	±	CGOH	2015/09/21					
2019/07/23	0 PLACES ±	±	APPR BY	DATE					
2019/07/23	KHLIM	2015/09/22							
		ANGULAR TOL = 3.0	DRAWING SIZE	THIRD ANGLE PROJECTION					
		DRAFT WHERE APPLICABLE MUST REMAIN WITHIN DIMENSIONS	A3						

PACKAGING OPTIONS

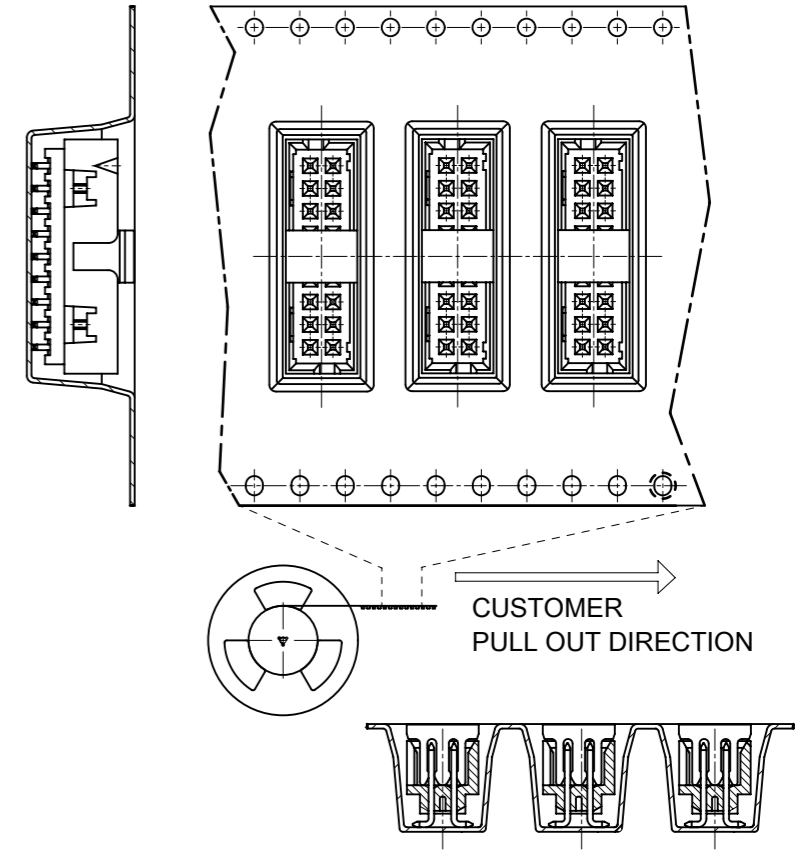
OPTION 1



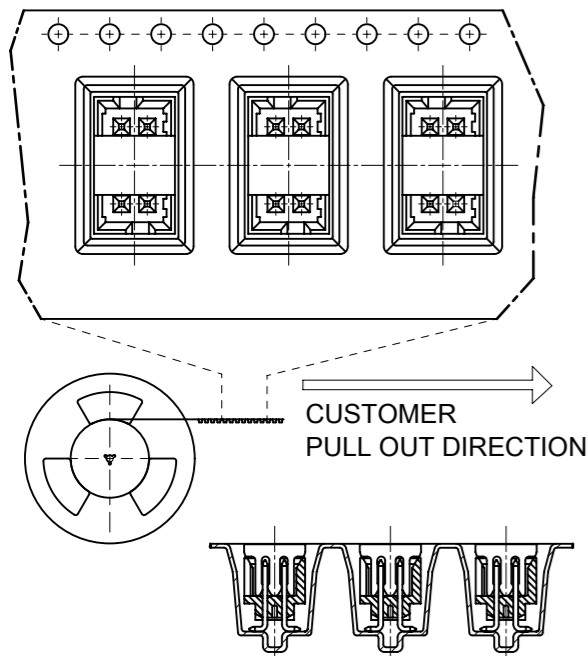
OPTION 2



OPTION 3



VIEW FOR 1 SIDE PILOT HOLE



PACKAGING SPECIFICATION TABLE

TAPE AND REEL PACKAGING	PK-87832-300
TUBE STANDARD PACKAGING	PK-87831-001
TUBE NON-STANDARD PACKAGING FOR: 87832-0411 87832-0824 87832-1072 87832-1412	PK-87831-002

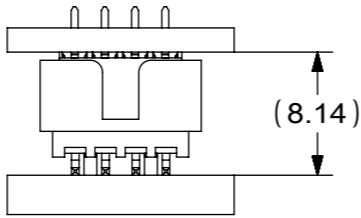
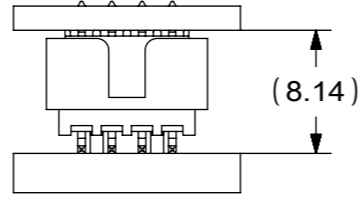
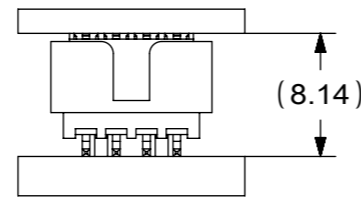
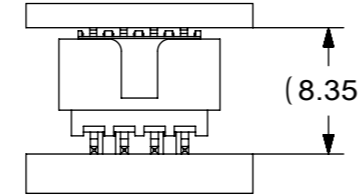
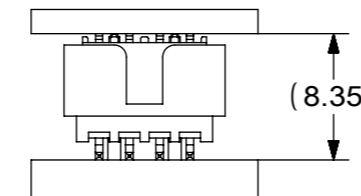
EMBOSSED TAPE & REEL POCKET DESCRIPTIONS


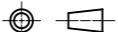
OPTIONS	CENTER POLARIZATION OPTIONS		PEG OPTIONS		PILOT HOLE OPTIONS	
	ON THE LEFT	ON THE RIGH	WITH PEG	WITHOUT PEG	2 SIDES	1 SIDE
1	YES	N.A	YES	N.A	CKT 12-50	CKT 4-10
2	N.A	YES	YES	YES	CKT 12-50	CKT 4-10
3	YES	N.A	N.A	YES	CKT 12-50	CKT 4-10

THIS DRAWING CONTAINS INFORMATION THAT IS PROPRIETARY TO MOLEX ELECTRONIC TECHNOLOGIES, LLC AND SHOULD NOT BE USED WITHOUT WRITTEN PERMISSION

EC NO: 621140 DRWN: NMANE02 CHK'D: NMANE02 REV APPR: MRAMAKRISHNA	2019/07/23	2019/07/23	2019/07/23	DIMENSION UNITS MM NTS				
	GENERAL TOLERANCES (UNLESS SPECIFIED)		DRWN BY: GMENARLY DATE: 2015/05/22		MILLIGRID 2MM PITCH, SMT VERTICAL SHROUDED HEADER			
	4 PLACES ±	±	CHK'D BY: CGOH DATE: 2015/09/21					PRODUCT CUSTOMER DRAWING
	3 PLACES ±	±	APPR BY: KHLIM DATE: 2015/09/22		SERIES: 87832	MATERIAL NUMBER: SEE TABLE	CUSTOMER: GENERAL MARKET	
2 PLACES ± 0.2	±	DRAWING SIZE: A3 THIRD ANGLE PROJECTION		DOCUMENT NUMBER: SD-87832-0001		DOC TYPE: PSD	DOC PART: 001	SHEET NUMBER: 12 OF 13
1 PLACES ±	±	DRAFT WHERE APPLICABLE MUST REMAIN WITHIN DIMENSIONS						
0 PLACES ±	±							

BOARD TO BOARD (BTB) DISTANCE

HEADER	MATES WITH (RECEPTACLE)	BTB DIST.	PICTORIAL VIEW
87832	79107	8.14	
	78787	8.14	
	79108	8.14	
	79109	8.35	
	78788	8.35	

THIS DRAWING CONTAINS INFORMATION THAT IS PROPRIETARY TO MOLEX ELECTRONIC TECHNOLOGIES, LLC AND SHOULD NOT BE USED WITHOUT WRITTEN PERMISSION											
DIMENSION UNITS		SCALE		CURRENT REV DESC: ADDED BTB DIST.							
mm		NTS									
GENERAL TOLERANCES (UNLESS SPECIFIED)				EC NO: 621140		2019/07/23		MILLIGRID			
				DRWN: NMANE02		2019/07/23		2MM PITCH, SMT VERTICAL SHROUDED HEADER			
				CHK'D: NMANE02		2019/07/23		PRODUCT CUSTOMER DRAWING			
				APPR: MRAMAKRISHNA		2019/07/23		DOCUMENT NUMBER			
				INITIAL REVISION:				SD-87832-0001		DOC TYPE	
				DRWN: DRWN BY		XXXX/XX/XX		PSD		DOC PART	
				APPR: APPR BY		XXXX/XX/XX		001		REVISION	
				ANGULAR TOL ± 3.0°				A12			
DRAFT WHERE APPLICABLE MUST REMAIN WITHIN DIMENSIONS				THIRD ANGLE PROJECTION		DRAWING		SERIES		MATERIAL NUMBER	
						A3-SIZE		87832		CUSTOMER	
								GENERAL MARKET		SHEET NUMBER	
										13 OF 13	

X-ON Electronics

Largest Supplier of Electrical and Electronic Components

Click to view similar products for [molex](#) manufacturer:

Other Similar products are found below :

[60506-C-50](#) [73108](#) [72903](#) [1062837003](#) [0533241060](#) [68301-1017](#) [71506-C](#) [880504](#) [387790039](#) [53254-0710](#) [85071-0017](#) [387204903](#)
[783472003](#) [514412093](#) [0194180027](#) [0192210405](#) [0191640082](#) [0982660127](#) [0152670317](#) [0192210414](#) [0982670277](#) [0026482195](#)
[0191310031](#) [503308-4410](#) [0190070015](#) [02-09-6102](#) [0008650814](#) [791099208](#) [0039000218](#) [89762-1403](#) [89762-1542](#) [89762-1582](#)
[0011404526](#) [00136](#) [0022173102](#) [0026615060](#) [CR4006A30M003](#) [0039532085](#) [58098-0628](#) [0003092041](#) [0008520123](#) [0011030025](#)
[0011184017](#) [0022162060](#) [0022552102](#) [01312](#) [M15730061](#) [61432](#) [6150300002](#) [CS63W64](#)