

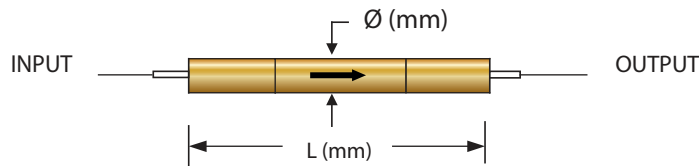
MINI POLARIZATION INSENSITIVE FIBER ISOLATOR (DUAL STAGE)

Mini OIDS Series

Product Description

Oplink's state of the art, mini polarization-insensitive isolators offer the smallest package size, 3.0×25mm, which saves 60% real estate comparing to standard isolators, with excellent performance such as super low insertion loss, high isolation, low polarization dependent loss (PDL), and low polarization mode dispersion. It also has a package option with 80µm reduced cladding fiber pigtail, which results in small bending radius and low bending losses.

Oplink mini isolator can sustain high optical power due to its optical path epoxy-free packaging. It is qualified to Telcordia GR-1221 standards.



Performance Specification

Mini OIDS Series	Specifications	Unit
Operating Wavelength Range	1310 ± 15 1480 ± 15 C-band : 1528 ~ 1564 L-band : 1570 ~ 1605	nm
Insertion Loss (Max.) ^[1]	0.5	dB
Isolation (Min.) : (over operating wavelength range, 0~70°C, all SOP)	40	dB
Wavelength Dependent Loss (Max.)	0.15	dB
Return Loss (Input/Output Ports)	55/50	dB
Polarization Dependent Loss (PDL) (Max.)	0.10	dB
Polarization Mode Dispersion (PMD) (Max.)	0.05	ps
Maximum Power Handling	2	W
Operating Temperature	0 to +70	°C
Storage Temperature	-40 to +85	°C
Fiber Type	Corning SMF-28 or Pure Mode RC SMF-28	
Fiber Jacket	Corning SMF-28 : 250µm bare fiber Pure Mode RC SMF-28 : 80µm bare fiber	
Package Dimensions ^[3]	P3 : (Ø) 3.0 x (L) 25.0	mm

Notes:

^[1] The maximum IL is under all states of polarization and within the full operating temperature and wavelength ranges specified.

^[2] All the parameters are excluding connectors.

^[3] The mechanical tolerance should be +/-0.2mm on all package dimensions unless otherwise custom specified.

Features

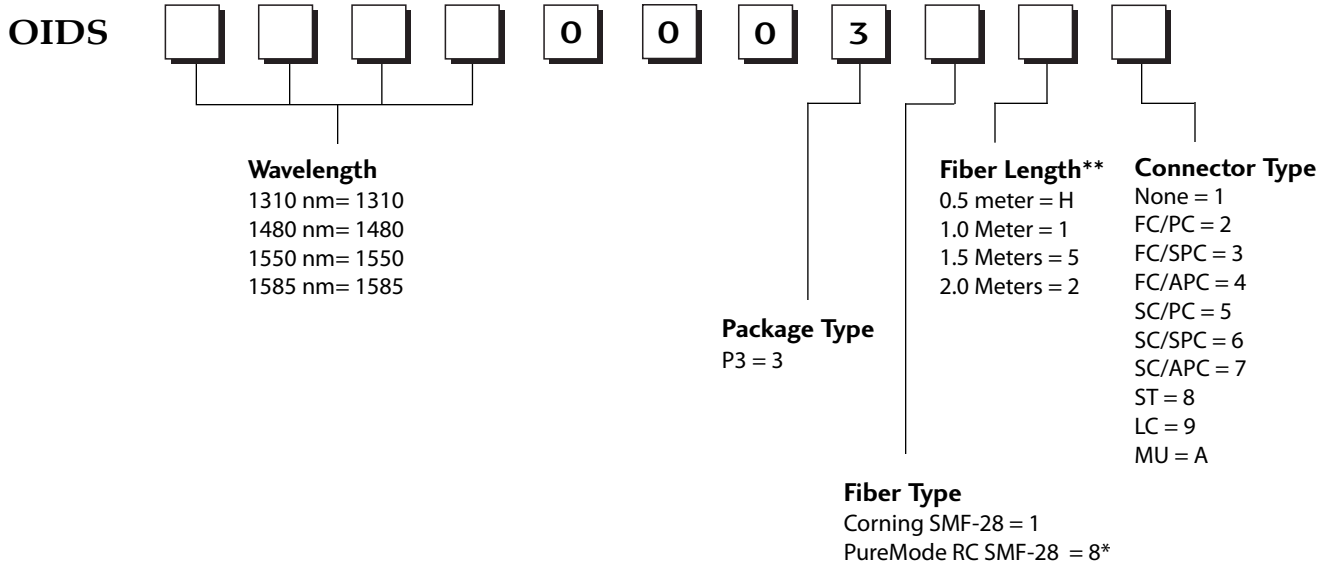
- ◆ Super Compact Size
- ◆ Low Insertion Loss
- ◆ High Isolation
- ◆ Low PMD
- ◆ High Power Handling
- ◆ Highly Stable & Reliable
- ◆ Epoxy-free Optical Path
- ◆ 80µm Fiber Pigtail Option

Applications

- ◆ EDFA & Raman Amplifiers
- ◆ Fiberoptic Instruments
- ◆ Fiberoptic Network Links
- ◆ Transmitters and Fiber Lasers

Ordering Information

Oplink can provide a remarkable range of customized optical solutions. For detail, please contact Oplink's OEM design team or account manager for your requirements and ordering information (510) 933-7200.



Note:

* no connector options for PureMode RC SMF-28 80µm fiber.

** The tolerance of fiber length is +/-0.1m. 1 meter is standard. The lead-time for special fiber length will be longer.

X-ON Electronics

Largest Supplier of Electrical and Electronic Components

Click to view similar products for [Fibre Optic Switches](#) category:

Click to view products by [Molex](#) manufacturer:

Other Similar products are found below :

[DWFC0150P001111](#) [ITMA080520E2111G](#) [ITMA0805ECMD111](#) [ITMSE05ECO81111G](#) [MIOCG5ECO031111](#) [MIOCG5ECO041111](#)
[MMFC8150P001211](#) [OFMS06400002315](#) [OFMS1200ES05111](#) [OFMS12MIE02111](#) [OFMS2200ES05111](#) [OFMS22DU8M15211](#)
[OFMS22DUES15111](#) [OFMS22MIE02111](#) [OIDS15500003111](#) [OIDSG1550S01111](#) [OISA155000D3111](#) [OISS1550PS03111](#)
[OISSG1550L01111](#) [PIPA08E20200111G](#) [PIPDD20ECO51111G](#) [PIPDD20ECO61111G](#) [PMBC1450P001211](#) [PMIH14400001211](#)
[PMTTC155010P1211](#) [SWDM531SP001111](#) [SWDM541SP001111](#) [SWFC5150P001111](#) [TCIHG1550S11111](#) [UTMA080520E2111G](#)
[UTMSE05ECO11111G](#) [WDIH15140SF1111](#) [WDIH15140SF3111](#) [WDIH15980SF1111](#) [WDIH15980SF3011](#) [WTIH1514S012111](#)
[WTIH1598S012111](#)