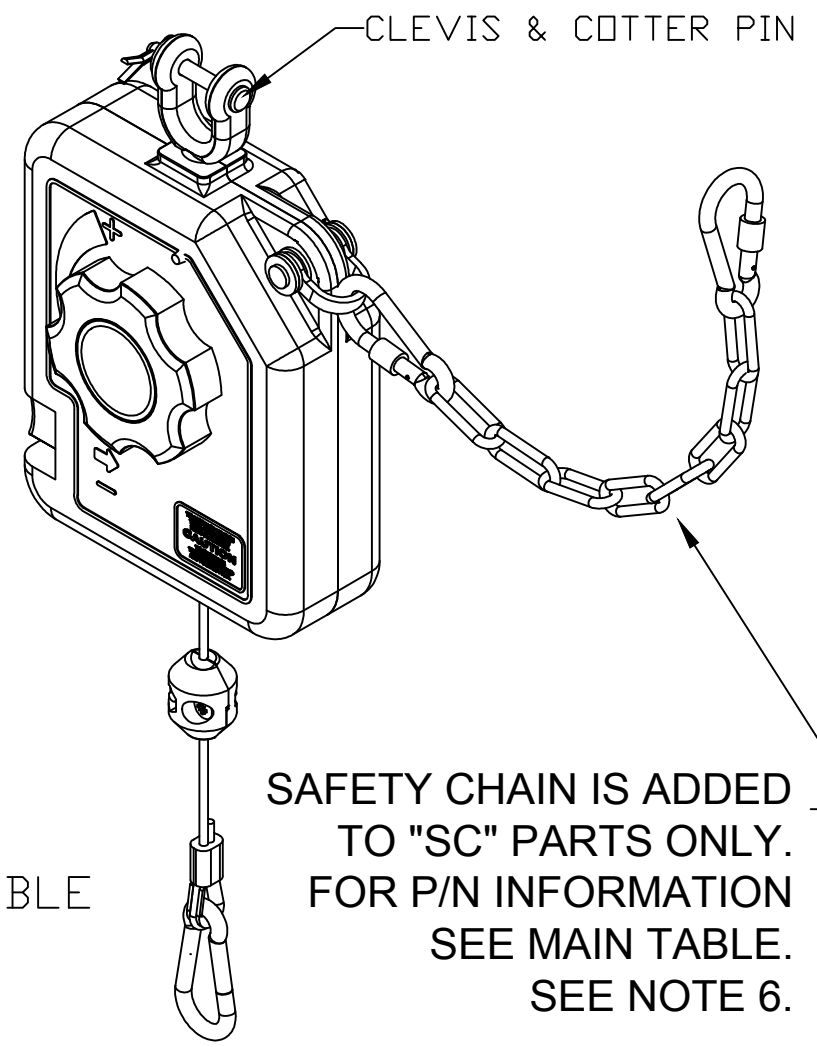
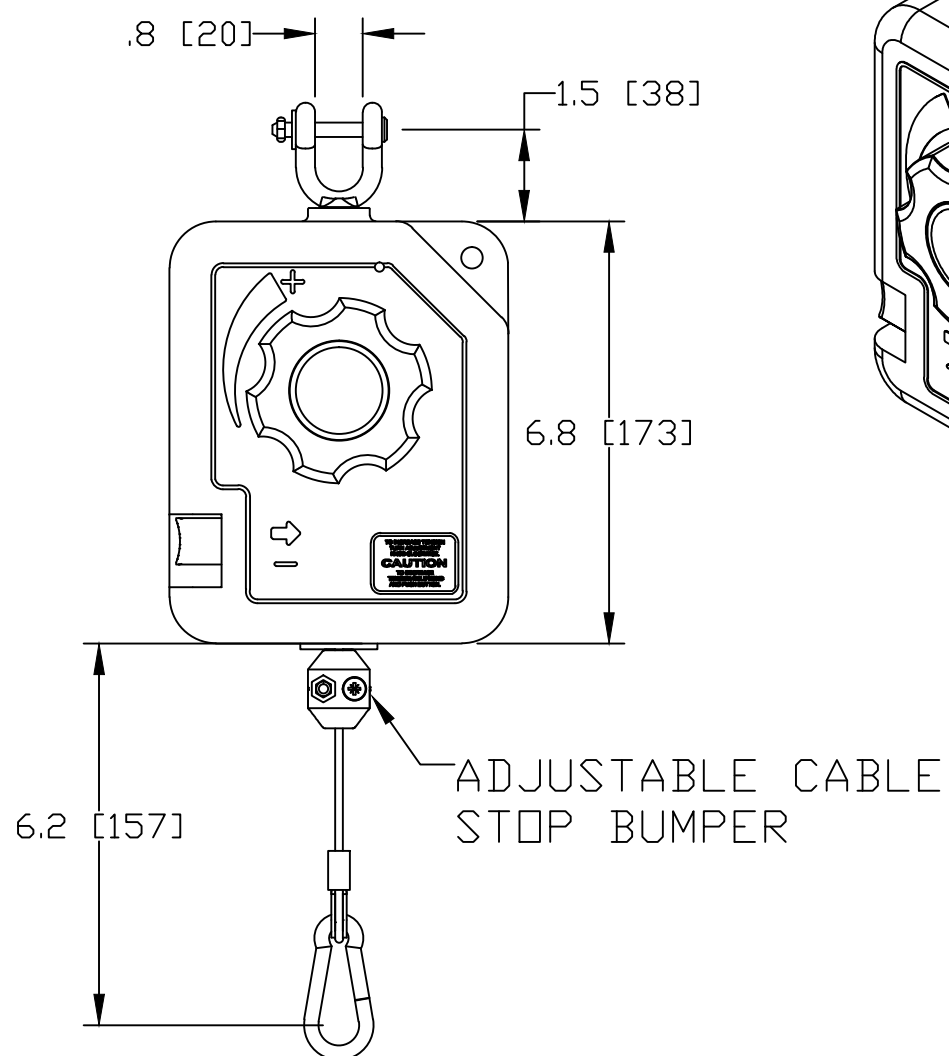
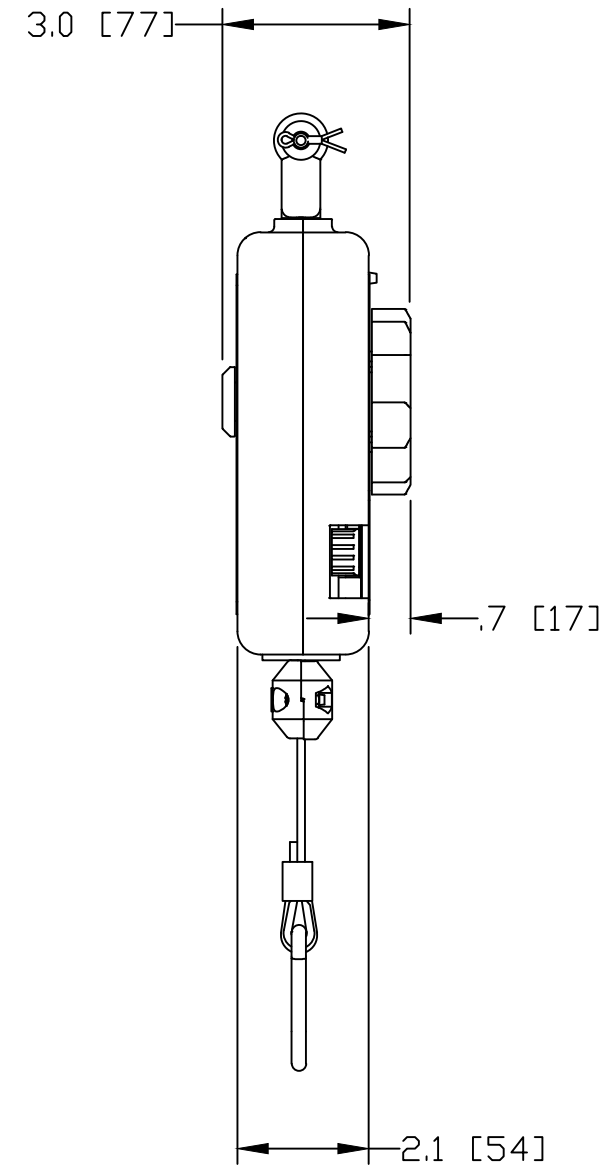
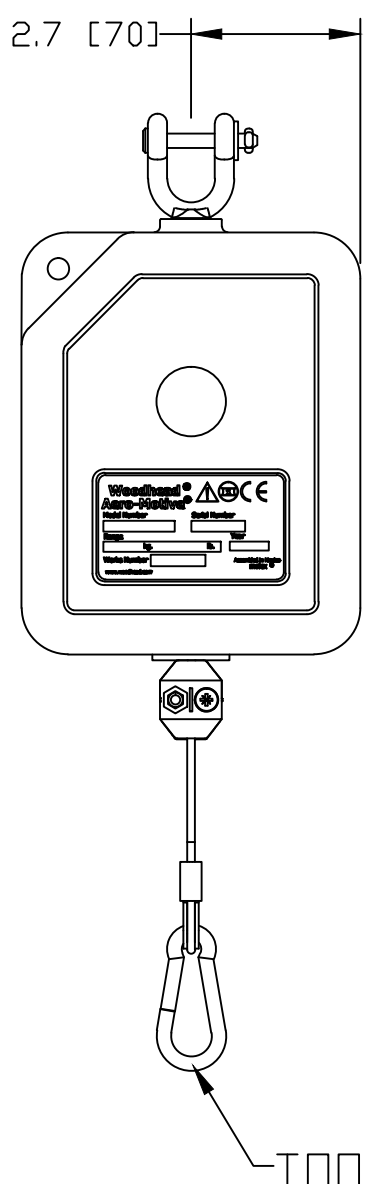


10 9 8 7 6 5 4 3 2 1



- NOTES:
1. RETRACTORS ARE 100% INSPECTED & PRE-TENSIONED AT FACTORY.
  2. HOUSINGS ARE MADE OF GENERAL PURPOSE ABS TO MEET HARSH INDUSTRIAL ENVIRONMENTS.
  3. ALWAYS READ INSTRUCTIONS MANUAL BEFORE USING RETRACTORS.
  4. RETRACTORS ARE NOT TO BE USED AS BALANCERS THEIR MAIN PURPOSE BEING TO RETRACT A LOAD AND NOT TO BALANCE ONE.
  5. OVERALL DIMENSIONS ARE FOR REFERENCE ONLY.
  6. STANDARD CATALOG RETRACTORS ARE NOT EQUIPED WITH SAFETY CHAIN. BUT IF APPLICATION REQUIRES A SAFETY CHAIN ADD "SC" SUFFIX TO STANDARD BALANCER P/N. EXAMPLE RF6SC. ON MAIN MATERIAL NUMBERS TABLE.
  7. RETRACTORS COME WITH A CLEVIS PIN & A COTTER PIN

CHANGE COLOR - PUTTY TO BLUE EC NO: IPG2013-1098 DRWN: MCHOJECK 8/12/13 CHKD: JM APPR: JFMURPHY 2010/03/31	DESCRIPTION REV	QUALITY SYMBOLS	GENERAL TOLERANCES (UNLESS SPECIFIED)		DIMENSION STYLE		SCALE	DESIGN UNITS	THIRD ANGLE PROJECTION		
		$\nabla=0$ $\sphericalangle=0$	mm	INCH	IN/MM		NTS	INCH			
		4 PLACES	±---	±---	DRAWN BY	DATE	TITLE "RF" SERIES OF RETRACTORS				
		3 PLACES	±---	±---	RHOTCA	2010/03/30					
		2 PLACES	±----	±---	CHECKED BY	DATE	MOLEX INCORPORATED				
1 PLACE	±---	±---	DT	2010/03/30							
ANGULAR ±1°			APPROVED BY	DATE	DOCUMENT NO.		SD-130173-002				
DRAFT WHERE APPLICABLE MUST REMAIN WITHIN DIMENSIONS			DTITUS	2010/03/31	SHEET NO.						1 OF 2
			MATERIAL NO.		SEE TABLE		THIS DRAWING CONTAINS INFORMATION THAT IS PROPRIETARY TO MOLEX INCORPORATED AND SHOULD NOT BE USED WITHOUT WRITTEN PERMISSION				
			SIZE		B						

10 9 8 7 6 5 4 3 2 1

10 9 8 7 6 5 4 3 2 1

MATERIAL NUMBER:	ENG. NUMBER:	DESCRIPTION	WEIGHT RANGE IN KG:	CABLE TRAVEL IN METERS:	WEIGHT RANGE IN LB:	CABLE TRAVEL IN FT:	COLOR:
1301730055	RF6	RF6 RETRACTOR[4-6LB/1.8-2.7KG], 6.6FT	1.8 - 2.7	2.0	4.0 - 6.0	6.6	BLUE
1301730061	RF8	RF8 RETRACTOR[6-8LB/2.7-3.6KG], 6.6FT	2.7 - 3.6	2.0	6.0 - 8.0	6.6	BLUE
1301730069	RFL6	RF6 [4-6LB/1.8-2.7KG] W/RATCHET LOCK	1.8 - 2.7	2.0	4.0 - 6.0	6.6	BLUE
1301730074	RFL8	RF8 [6-8LB/2.7-3.6KG] W/RATCHET LOCK	2.7 - 3.6	2.0	6.0 - 8.0	6.6	BLUE
1301730057	RF6SC	RF6 [4-6LB/1.8-2.7KG] W/SAFETY CHAIN	1.8 - 2.7	2.0	4.0 - 6.0	6.6	BLUE
1301730065	RF8SC	RF8 [6-8LB/2.7-3.6KG] W/SAFETY CHAIN	2.7 - 3.6	2.0	6.0 - 8.0	6.6	BLUE
1301730071	RFL6SC	RFL6 [4-6LB/1.8-2.7KG] W/SAFETY CHAIN	1.8 - 2.7	2.0	4.0 - 6.0	6.6	BLUE
1301730086	RFL8SC	RFL8 [6-8LB/2.7-3.6KG] W/SAFETY CHAIN	2.7 - 3.6	2.0	6.0 - 8.0	6.6	BLUE

D  
C  
B

CHANGE COLOR - PUTTY TO BLUE EC NO: IPG2013-1098 DRWN: MCHOJECK 8/12/13 CHKD: JM APPR: JFMURPHY 2010/03/31	DESCRIPTION REV	QUALITY SYMBOLS	GENERAL TOLERANCES (UNLESS SPECIFIED)		DIMENSION STYLE		SCALE	DESIGN UNITS	THIRD ANGLE PROJECTION
		= 0 = 0	mm	INCH	IN/MM	NTS	INCH		
		4 PLACES	±---	±---	DRAWN BY	DATE	TITLE "RF" SERIES OF RETRACTORS		
		3 PLACES	±---	±---	RHOTCA	2010/03/30			
		2 PLACES	±----	±---	CHECKED BY	DATE	MOLEX INCORPORATED		
1 PLACE	±---	±---	DT	2010/03/30					
ANGULAR ±1°			APPROVED BY	DATE	MATERIAL NO.	DOCUMENT NO.	SHEET NO.		
DRAFT WHERE APPLICABLE MUST REMAIN WITHIN DIMENSIONS			DTITUS	2010/03/31	SEE TABLE	SD-130173-002	2 OF 2		
			SIZE	THIS DRAWING CONTAINS INFORMATION THAT IS PROPRIETARY TO MOLEX INCORPORATED AND SHOULD NOT BE USED WITHOUT WRITTEN PERMISSION					
			B						

10 9 8 7 6 5 4 3 2 1

## X-ON Electronics

Largest Supplier of Electrical and Electronic Components

*Click to view similar products for [Fiber Optic Connectors](#) category:*

*Click to view products by [Molex](#) manufacturer:*

Other Similar products are found below :

[0004700001](#) [6100-R](#) [6313](#) [F709034706](#) [F709722200](#) [F718183204](#) [F727403500](#) [F727752800](#) [FCXO-12-3BY](#) [FO-SCREW\(M2X6\)](#) [9440F20-27S-190](#) [944-120-6001](#) [944-125-6003](#) [9441F10SL-3S](#) [9446F10SL-4S](#) [953-101-5310-P](#) [954-101-57202B](#) [A0270169](#) [12-9122](#) [12-5702](#) [143025NC](#) [AX101713](#) [AX102420](#) [AX103923](#) [AX104141](#) [AX104193](#) [AX104228](#) [AX104230](#) [AX104562](#) [AX105203-B25](#) [AX105205-S1](#) [EHSC2M](#) [17-300800](#) [181-011-126](#) [BT34IW](#) [HRFCP-HSCJ-1\(61\)](#) [HRFC-R2\(40\)](#) [NKSOPBUY](#) [20500002116](#) [2064996-1](#) [20800001065](#) [2170](#) [9132](#) [2612](#) [2620](#) [9291](#) [9440F18-19S](#) [9440F20-14P](#) [9440F20-14PW](#) [9440W18-1S](#)