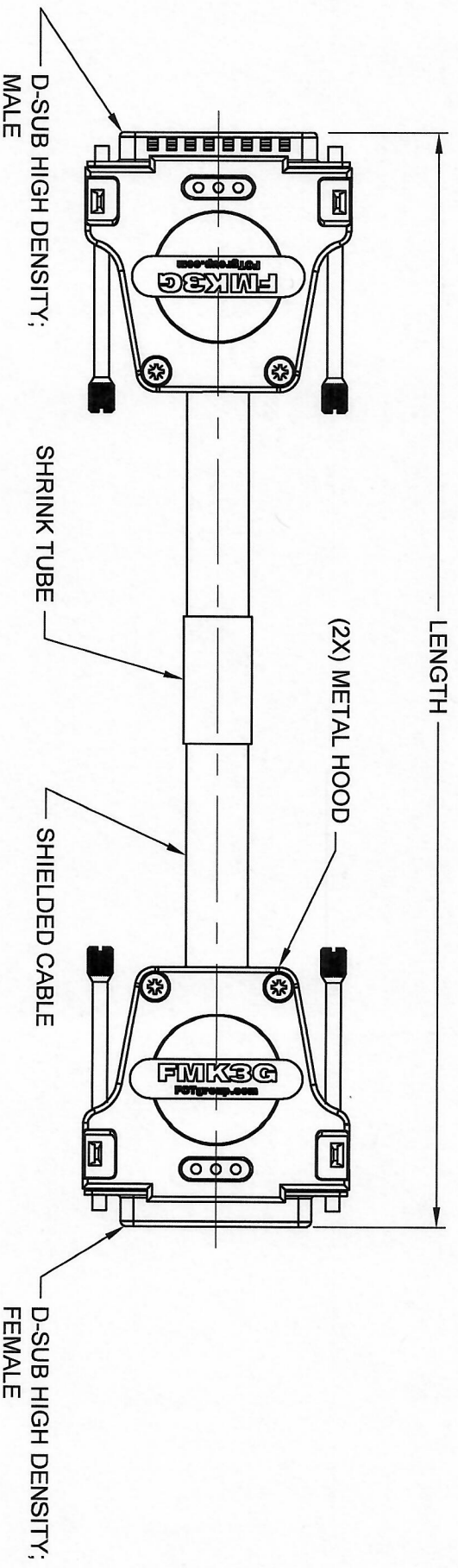


- NOTES:
1. CABLE ASSEMBLY MARKED WITH MOLEX PART NUMBER, REVISION AND DATE CODE IN YYYY/MM/FORMAT.
 2. PINOUT TERMINATION IS 1:1.
 3. CABLE SHIELD GROUNDED TO BACK SHELL.
 4. PART NUMBER AND LENGTH SHOWN ON MATRIX AT RIGHT.

PART NUMBER	NO. OF CONTACTS PER HD D-SUB	LENGTH
73231-1322		12" ± .500
73231-1323		24" ± 1.00
73231-1320	44	36" ± 1.00
73231-1321		60" ± 1.00



REV	DESCRIPTION	QUALITY SYMBOLS	GENERAL TOLERANCES (UNLESS SPECIFIED)	DIMENSION STYLE	SCALE	REGION UNITS	THIRD ANGLE PROJECTION	SHEET NO.
B2	MIDAS/ECTR HAD WRONG REV. ENC: 638534 DRWN: JWB DATE: 05/28/2020 APPR: KJT	$\nabla = 0$	4 PLACES ± .0005 INCH 3 PLACES ± .001 INCH 2 PLACES ± .002 INCH 1 PLACE ± .005 INCH 0 PLACE ± .010 INCH	INCHES (mm)	N/A	ENGLISH		1 OF 1
B1	FIXED DRAWING DESCRIPTION ENC: 615299 DRWN: JWB DATE: 04/30/19 APPR: KJT	$\nabla = 0$	ANGULAR ± .0005	DATE: 09/21/15	SEE TABLE			
B	EW: 12711-B; MOLEX BOARDER ENC: 610546 DRWN: JWB DATE: 01/17/19 APPR: MM	$\nabla = 0$	DRAFT WHERE APPLICABLE MUST REMAIN WITHIN DIMENSIONS	DATE: 09/21/15	THIS DRAWING CONTAINS INFORMATION THAT IS PROPRIETARY TO MOLEX INCORPORATED AND SHOULD NOT BE USED WITHOUT WRITTEN PERMISSION			

molex

SD-73231-132

SHIELDED HD D-SUB CABLE ASSEMBLY MALE TO FEMALE

X-ON Electronics

Largest Supplier of Electrical and Electronic Components

Click to view similar products for [D-Sub Cables](#) category:

Click to view products by [Molex](#) manufacturer:

Other Similar products are found below :

[1200980218](#) [1200980067](#) [RB09P09P-006](#) [RB09P09P-012](#) [RB15P15P-006](#) [RB25P25P-006](#) [RB37P37P-024](#) [172-0906](#) [SHD15P15S-012](#)
[SHD15P15S-036](#) [SHD15P15S-060](#) [ACL-10137-2MM](#) [RB09P09P-024](#) [319285-3](#) [RS422-OM2](#) [SHD26P26S-060](#) [SHD44P44S-036](#) [73-](#)
[6210MM-6](#) [C200H-CN320-EU](#) [49725A 060S2](#) [73231-1321](#) [SDB-50AFFM-SL7A02](#) [49760A 060S2](#) [HDB-26AFFM-SL7A02](#) [30-9503P](#) [30-](#)
[9522P](#) [73-6220MM-6](#) [1200980058](#) [1200980066](#) [1200980078](#) [1200980052](#) [1200980093](#) [1200980028](#) [1200980021](#) [1200980127](#) [SDB-](#)
[09AFFM-SL7A02](#) [SDB-15AMMM-SL7A01](#) [BB-LDVYCBL](#) [83421-9286](#) [MLDM2L-21P-6K7-18B](#) [KSFD1](#) [MM-2J2-021-SS1-41WN](#) [HDB-](#)
[78AMMM-SL7A05](#) [SDB-37AMMM-SL7A03](#) [SDB-15AFFM-SL7A05](#) [ACC-500-163-R](#) [172-1910](#) [2900907/21.4](#) [VS-25-DSUB-20-LI-2,0](#)
[VS-25-DSUB-20-LI-5,0](#)