

ECO SERIES UNIDIRECTIONAL SINGLE CHANNEL TAP MONITOR

UTMS Eco Series

Key Features

- ◆ Detect optical signal from one direction
- ◆ Wide band, low IL, low dark current
- ◆ Hermetically sealed photodiode
- ◆ RoHS 6

Applications

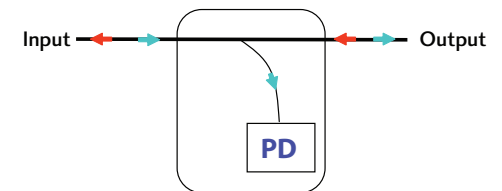
- ◆ EDFAs and Raman Amplifiers
- ◆ Optical Protection
- ◆ ROADM
- ◆ Instrumentation



Performance Specification

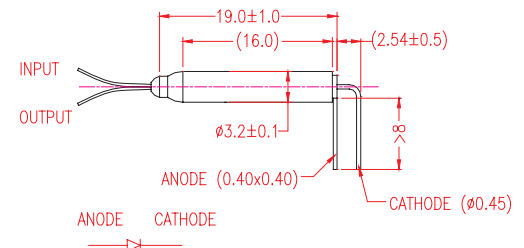
Parameters	Specification		Unit
Operating Wavelength Range	1260~1360	1510~1610	nm
Through	Insertion Loss	2%	≤ 0.5
	(@ λ _{op} , T _{op} , All SOP, exclude connector)	5%	≤ 0.7
		10%	≤ 1.0
	Polarization Dependent Loss		≤ 0.05
			dB
			dB
Tapped Monitoring	Responsivity	2%	10~23
	(relative to nominal power at input port)	5%	26~59
		10%	52~110
			14~25
			mA/W
			dB
			dB
PD	PD Dark Current (@ 70°C, -5V bias)		≤ 5
	Bandwidth (50 ohm, 5V, -3dB)		≥ 1
	Reverse Voltage		≤ 20
	Forward Current		≤ 5
			nA
			V
			mA
Conditions	Input Optical Power	2%	≤ 21
		5%	≤ 16
		10%	≤ 12
			dBm
Fiber Type	Operating Temperature Range (<85%RH, non-condensing)	0 to +70	
	Storage Temperature Range (<85%RH, non-condensing)	-40 to +85	
			°C
			°C

Functional Diagram



Dimensions

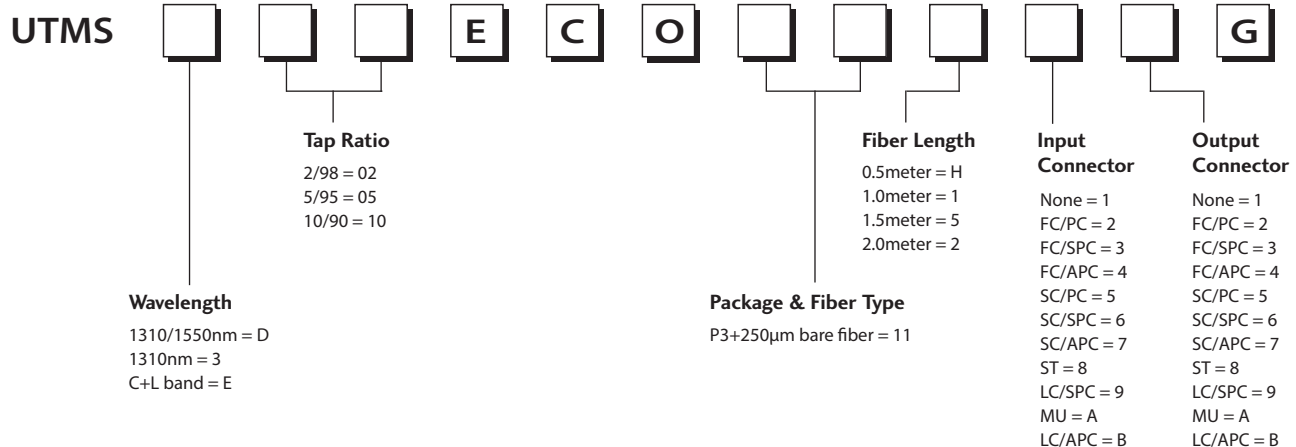
P3 Package with Bare Fiber :



Notes: ⁽¹⁾ Directivity is defined as $-10 \log(\mathfrak{R}_{OUT \rightarrow PD} / \mathfrak{R}_{IN \rightarrow PD})$ where \mathfrak{R} stands for responsivity.

*All spec excluding connectors. The maximum IL is under all states of polarization and within the full operating temperature and wavelength ranges specified.

Ordering Information



X-ON Electronics

Largest Supplier of Electrical and Electronic Components

Click to view similar products for [Fibre Optic Switches](#) category:

Click to view products by [Molex](#) manufacturer:

Other Similar products are found below :

[DWFC0150P001111](#) [ITMA080520E2111G](#) [ITMA0805ECMD111](#) [ITMSE05ECO81111G](#) [MIOCG5ECO031111](#) [MIOCG5ECO041111](#)
[MMFC8150P001211](#) [OFMS06400002315](#) [OFMS1200ES05111](#) [OFMS12MIE02111](#) [OFMS2200ES05111](#) [OFMS22DU8M15211](#)
[OFMS22DUES15111](#) [OFMS22MIE02111](#) [OIDS15500003111](#) [OIDSG1550S01111](#) [OISA155000D3111](#) [OISS1550PS03111](#)
[OISSG1550L01111](#) [PIPA08E20200111G](#) [PIPDD20ECO51111G](#) [PIPDD20ECO61111G](#) [PMBC1450P001211](#) [PMIH14400001211](#)
[PMTTC155010P1211](#) [SWDM531SP001111](#) [SWDM541SP001111](#) [SWFC5150P001111](#) [TCIHG1550S11111](#) [UTMA080520E2111G](#)
[UTMSE05ECO11111G](#) [WDIH15140SF1111](#) [WDIH15140SF3111](#) [WDIH15980SF1111](#) [WDIH15980SF3011](#) [WTIH1514S012111](#)
[WTIH1598S012111](#)