

MINI 980/1550NM WDM/ISOLATOR HYBRID

Mini WDIH59 Series

Product Description

Oplink's WDIH is a combination of a 980/1550(1585)nm filter and a C-band 1550nm (or L-band 1585nm) polarization insensitive optical isolator. The Mini WDIH is a low cost model with excellent performance including low insertion loss, high isolation, high return loss, and low polarization dependent loss (PDL). This product offers integrated solutions to EDFA applications by combining more functions into a very compact package. The product package dimension is about 3.0×30mm.

Oplink can provide customized designs to meet specialized feature applications. Also, Oplink offers modular assemblies that integrate other components to form a full function module or subsystem.



Performance Specification

Mini WDIH59 Series		Min	Typical	Max	Unit
Operating Wavelength Range (λ_s)		1528 ~ 1564 or 1570 ~ 1604			nm
Pump Channel Wavelength Range (λ_p)		965 ~ 995			nm
Channel Isolation (over λ_s , 0~70°C, all SOP)	Single Stage	21			dB
	Dual Stage	36			
Isolation	Pump Channel @ λ_s	15			dB
	Signal Channel @ λ_p	25			
Insertion Loss (over wavelength range and 0~70°C, all SOP)	Pump Channel		0.5		dB
	Signal Channel	Single Stage	0.9		
		Dual Stage	1.1		
WDL		0.2			dB
Return Loss		≥ 50			dB
Polarization Dependent Loss (PDL)	Single Stage	0.10			dB
	Dual Stage	0.15			
Polarization Mode Dispersion (PMD)	Single Stage	0.25			ps
	Dual Stage	0.05			
Directivity		≥ 50			dB
Operating Power Handling		≤ 500			mW
Operating Temperature		0 to +70			°C
Storage Temperature		-40 to +85			°C
Fiber Type	COM & Pump Ports	PureMode HI1060 FLEX			
	Pass Port	SMF-28, 250 μ m Bare Fiber			
Package Dimension		(Φ) 3.0 x (L) 30.0			mm

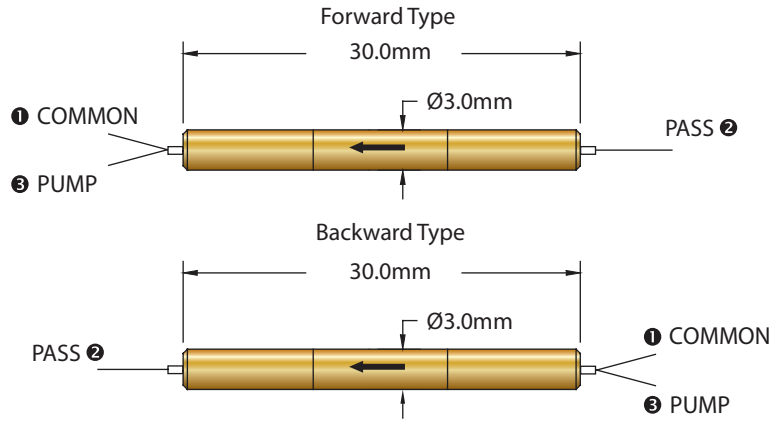
Features

- ◆ Wide Operating Wavelength Range
- ◆ Compact Size
- ◆ High Isolation
- ◆ Ultra Low PDL & PMD
- ◆ Highly Stable & Reliable
- ◆ Small Package Dimension
- ◆ Epoxy-free Optical Path

Applications

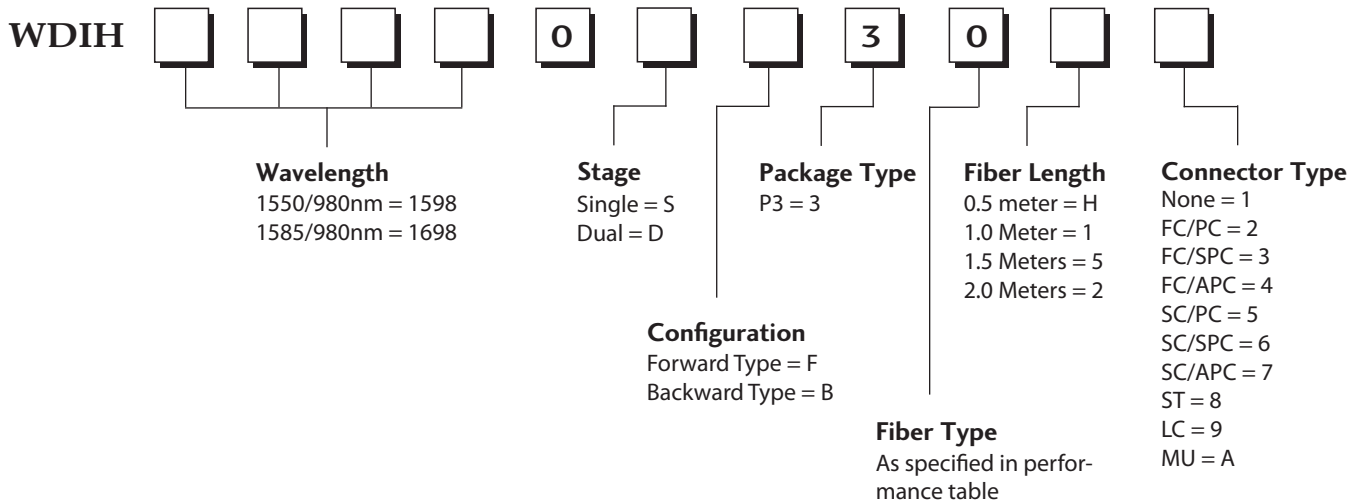
- ◆ EDFA

Mechanical Drawing / Package Dimensions (dimension in mm)



Ordering Information

Oplink can provide a remarkable range of customized optical solutions. For detail, please contact Oplink's OEM design team or account manager for your requirements and ordering information (510) 933-7200.



X-ON Electronics

Largest Supplier of Electrical and Electronic Components

Click to view similar products for [Fibre Optic Switches](#) category:

Click to view products by [Molex](#) manufacturer:

Other Similar products are found below :

[DWFC0150P001111](#) [ITMA080520E2111G](#) [ITMA0805ECMD111](#) [ITMSE05ECO81111G](#) [MIOCG5ECO031111](#) [MIOCG5ECO041111](#)
[MMFC8150P001211](#) [OFMS06400002315](#) [OFMS1200ES05111](#) [OFMS12MIE02111](#) [OFMS2200ES05111](#) [OFMS22DU8M15211](#)
[OFMS22DUES15111](#) [OFMS22MIE02111](#) [OIDS15500003111](#) [OIDSG1550S01111](#) [OISA155000D3111](#) [OISS1550PS03111](#)
[OISSG1550L01111](#) [PIPA08E20200111G](#) [PIPDD20ECO51111G](#) [PIPDD20ECO61111G](#) [PMBC1450P001211](#) [PMIH14400001211](#)
[PMTTC155010P1211](#) [SWDM531SP001111](#) [SWDM541SP001111](#) [SWFC5150P001111](#) [TCIHG1550S11111](#) [UTMA080520E2111G](#)
[UTMSE05ECO11111G](#) [WDIH15140SF1111](#) [WDIH15140SF3111](#) [WDIH15980SF1111](#) [WDIH15980SF3011](#) [WTIH1514S012111](#)
[WTIH1598S012111](#)