

DESCRIPTION

The EVM3810-QB-01A is used for demonstrating the performance of MPS's MPM3810 a low voltage high switching frequency step-down switcher with built-in power MOSFETs and power inductor. MPM3810 provides up to 1.2A peak highly efficient output with constant-on-time control for fast loop response.

High power efficiency over a wide load range is achieved by scaling down the switching frequency at light load to reduce the switching related loss by constant on time control. Short circuit and thermal shutdown provides reliable, fault-tolerant operation.

MPM3810 is available in QFN 3.0x2.5x0.9mm package.

ELECTRICAL SPECIFICATION

Parameter	Symbol	Value	Units
Input Voltage	V_{IN}	2.5– 6	V
Output Voltage	V_{OUT}	1.2	V
Output Current	I_{OUT}	1.2	A

FEATURES

- Wide 2.5V to 6V Operating Input Range
- Fixed and Adjustable output from 0.6V
- 3mm x 2.5mm x 0.9mm QFN Package
- Total Solution Size 6mm x 3.8mm
- Up to 1.2A Peak Output Current
- 100% Duty Cycle in Dropout
- Ultra Low IQ: 17 μ A
- EN and Power Good for Power Sequencing
- Cycle-by-Cycle Over-Current Protection
- Short Circuit Protection with Hiccup Mode
- Adjustable Output Only Needs 4 External Components - 2 Ceramic Capacitors and FB Divider Resistors
- Fixed Output Only Needs Input and Output Capacitors

APPLICATIONS

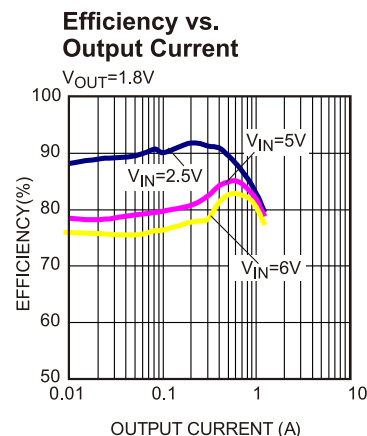
- Low Voltage I/O System Power
- LDO Replacement
- Power for Portable Products
- Storage (SSD/HDD)
- Space-limited Applications

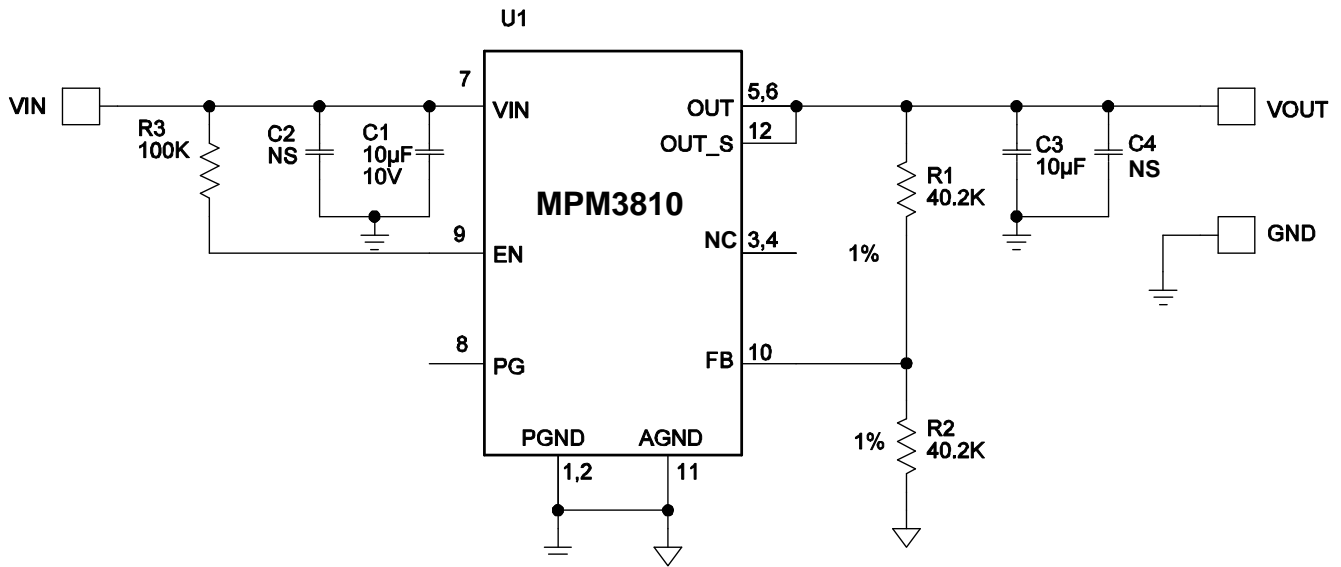
All MPS parts are lead-free and adhere to the RoHS directive. For MPS green status, please visit MPS website under Quality Assurance. "MPS" and "The Future of Analog IC Technology", are Registered Trademarks of Monolithic Power Systems, Inc.

EVM3810-QB-01A EVALUATION BOARD



Board Number	MPS IC Number
EVM3810-QB-01A	MPM3810GQB



EVALUATION BOARD SCHEMATIC

EVM3810-QB-01A BILL OF MATERIALS

Qty	RefDes	Value	Description	Package	Manufacturer	Manufacturer P/N
2	C1, C3	10µF	Ceramic Cap., 10V, X5R	SM0805	TDK	C2012X5R1A106K
0	C2, C4	NS				
1	R1	40.2k	Film Res., 1%	SM0402	Any	
1	R2	40.2k	Film Res., 1%	SM0402	Any	
1	R3	100kΩ	Film Res., 5%	SM0402	Any	
1	U1		COT Buck	QFN 3.0*2.5	MPS	MPM3810GQB

PRINTED CIRCUIT BOARD LAYER

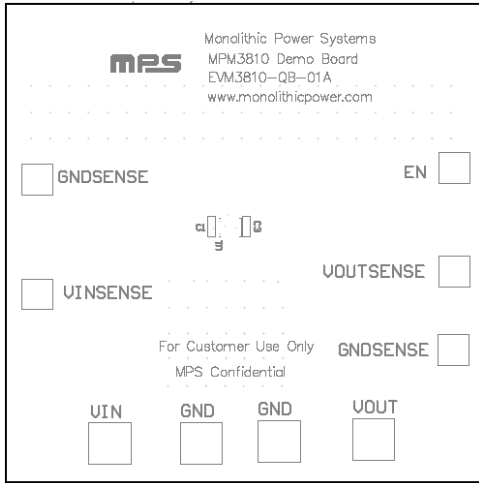


Figure 1: Top Silk Layer

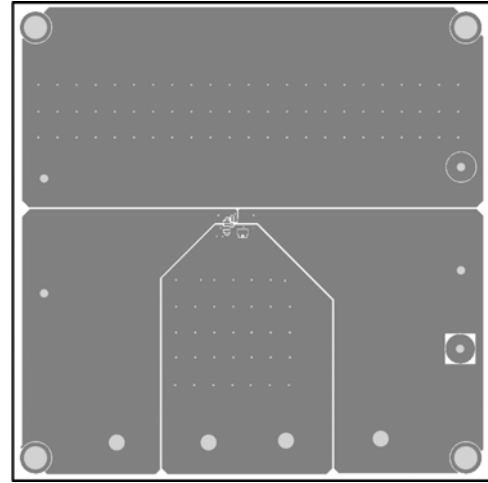


Figure 2: Top Layer

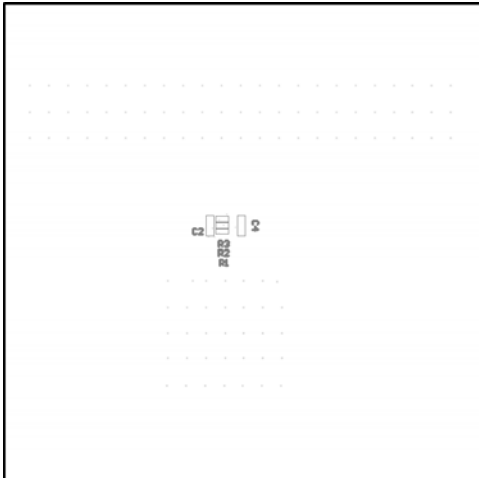


Figure 3: Bottom Silk Layer

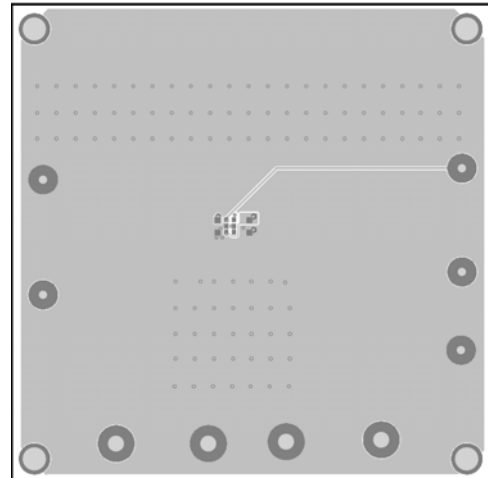


Figure 4: Bottom Layer

QUICK START GUIDE (ADJUSTABLE OUTPUT)

The output voltage of this board is set externally which can be regulated as low as 0.6V by operating from +2.5V to +6V input as the figure 5. The default output voltage of this board is set to 1.2V.

1. Connect the positive and negative terminals of the load to the VOUT and GND pins, respectively.
2. Preset the power supply output between 2.5V and 6V, and then turn off the power supply.
3. Connect the positive and negative terminals of the power supply output to the VIN and GND pins, respectively.
4. Turn the power supply on. The board will automatically start up.
5. The Output Voltage V_{OUT} can be changed by varying R2. Choose R1 to be around 40kΩ to 80kΩ. R2 is then given by:

$$R2 = \frac{R1}{\frac{V_{out}}{0.6} - 1}$$

Example: For $V_{out} = 1V$, $R1 = 40k\Omega$, $R2 = 60k\Omega$.

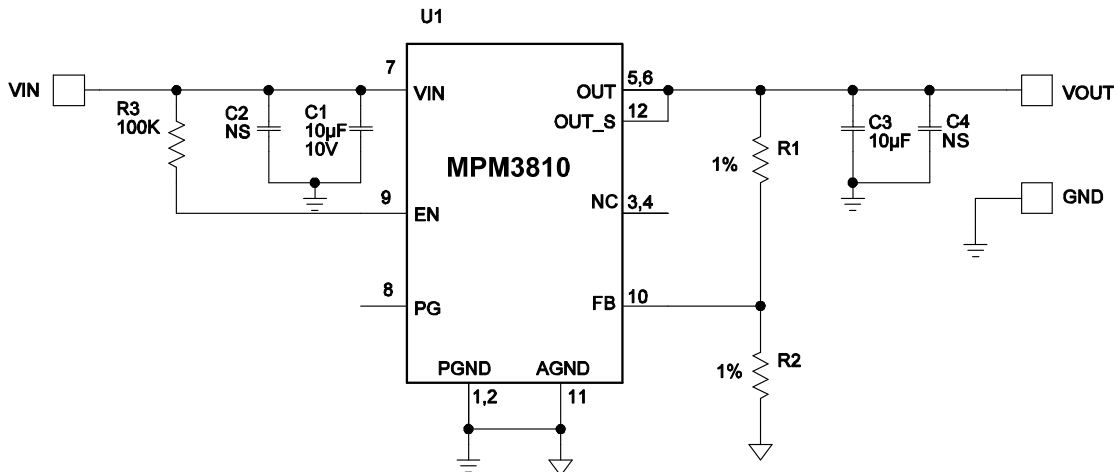


Figure 5—Adjustable Version

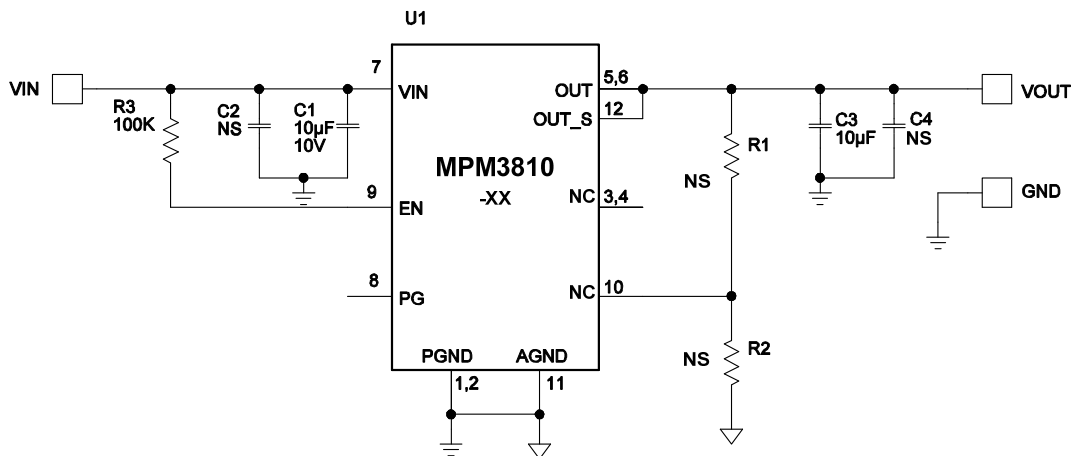


Figure 6—Fixed Version

QUICK START GUIDE (MODIFICATION FOR FIXED OUTPUT)

For modifying the EVM3810QB-01A to accommodate a fixed output voltage version of the MPM3810GQB-12(-18,-25,-33) as the Figure 6:

1. Carefully remove the IC (U1) and replace it with the corresponding fixed output version of the MPM3810GQB-xx chip.
2. Remove both R1 and R2.
3. Connect the positive and negative terminals of the load to the VOUT and GND pins, respectively.
4. Preset the power supply output between 2.5V and 6V, and then turn off the power supply.
5. Connect the positive and negative terminals of the power supply output to the VIN and GND pins, respectively.
6. Turn the power supply on. The board will automatically start up. Fixed output versions are shown in Table_1.

Table_1. Fixed output version information

Part Number	Fixed Vo (V)
MPM3810GQB-12	1.2
MPM3810GQB-18	1.8
MPM3810GQB-25	2.5
MPM3810GQB-33	3.3

LAYOUT RECOMMENDATION OF MPM3810

Proper layout of the switching power supplies is very important, and sometimes critical to make it work properly. Especially, for the high switching converter, if the layout is not carefully done, the regulator could show poor line or load regulation, stability issues.

NOTICE: The information in this document is subject to change without notice. Please contact MPS for current specifications. Users should warrant and guarantee that third party Intellectual Property rights are not infringed upon when integrating MPS products into any application. MPS will not assume any legal responsibility for any said applications.

X-ON Electronics

Largest Supplier of Electrical and Electronic Components

Click to view similar products for [Power Management IC Development Tools](#) *category:*

Click to view products by [Monolithic Power Systems](#) *manufacturer:*

Other Similar products are found below :

[EVAL6482H-DISC](#) [EVAL-AD5522EBUZ](#) [EVAL-ADM1060EBZ](#) [EVAL-ADM1073MEBZ](#) [EVAL-ADM1166TQEBZ](#) [EVAL-ADM1168LQEBZ](#) [EVAL-ADM1171EBZ](#) [EVAL-ADM1276EBZ](#) [EVB-EN5319QI](#) [EVB-EN5365QI](#) [EVB-EN6347QI](#) [EVB-EP5348UI](#) [MIC23158YML EV](#) [MIC23451-AAAYFL EV](#) [MIC5281YMME EV](#) [124352-HMC860LP3E](#) [ADM00513](#) [ADM8611-EVALZ](#) [ADM8612-EVALZ](#) [ADM8613-EVALZ](#) [ADM8615-EVALZ](#) [ADP1046ADC1-EVALZ](#) [ADP1055-EVALZ](#) [ADP122-3.3-EVALZ](#) [ADP130-0.8-EVALZ](#) [ADP130-1.2-EVALZ](#) [ADP130-1.5-EVALZ](#) [ADP130-1.8-EVALZ](#) [ADP160UJZ-REDYKIT](#) [ADP166UJ-EVALZ](#) [ADP1712-3.3-EVALZ](#) [ADP1714-3.3-EVALZ](#) [ADP1715-3.3-EVALZ](#) [ADP1716-2.5-EVALZ](#) [ADP1740-1.5-EVALZ](#) [ADP1752-1.5-EVALZ](#) [ADP1754-1.5-EVALZ](#) [ADP1828LC-EVALZ](#) [ADP1870-0.3-EVALZ](#) [ADP1871-0.6-EVALZ](#) [ADP1873-0.6-EVALZ](#) [ADP1874-0.3-EVALZ](#) [ADP1876-EVALZ](#) [ADP1879-1.0-EVALZ](#) [ADP1882-1.0-EVALZ](#) [ADP1883-0.6-EVALZ](#) [ADP197CB-EVALZ](#) [ADP199CB-EVALZ](#) [ADP2102-1.25-EVALZ](#) [ADP2102-1.2-EVALZ](#)