



EVQ3364-R-00A

36V, 150mA, 4-Channel, Boost WLED Driver with 15000:1 Dimming Ratio and I²C Evaluation Board, AEC-Q100 Qualified

DESCRIPTION

The EVQ3364-R-00A is an evaluation board designed to demonstrate the capabilities of the MPQ3364, a four-channel step-up converter designed to drive white LED (WLED) arrays as backlighting for small or mid-sized liquid-crystal display (LCD) panels.

Peak-current control is used as the pulse-width modulation (PWM) control architecture for regulating the boost converter. Four channel-current sources are applied to the LED cathode to adjust the LED brightness. This regulates the current in each LED string to the value set by an external current-setting resistor, with 2.5% current regulation accuracy between strings. The maximum current per channel is 150mA.

The MPQ3364's low on resistance MOSFET and low headroom voltage design improves efficiency. The device also has a standard digital I²C interface for easy flexibility. The switching frequency (f_{sw}) can be configured via a resistor, I²C interface, or external clock.

The MPQ3364 features three dimming modes: analog dimming, PWM dimming, and mixed dimming via the PWM input. The dimming mode can be selected via the I²C interface or MIX/AD pin. The IC also has a phase shift function that eliminates noise during PWM dimming.

Protection features include over-current protection (OCP), over-voltage protection (OVP), over-temperature protection (OTP), LED short protection, and LED open protection. The LED current automatically decreases at high temperatures.

The MPQ3364 is available in a QFN-24 (4mmx4mm) package.

ELECTRICAL SPECIFICATIONS

Parameter	Symbol	Value	Units
Input voltage	V _{IN}	12	V
Output voltage	V _{LED}	<50	V
LEDs		4 strings	
LED current (per string)	I _{LED}	50	mA

FEATURES

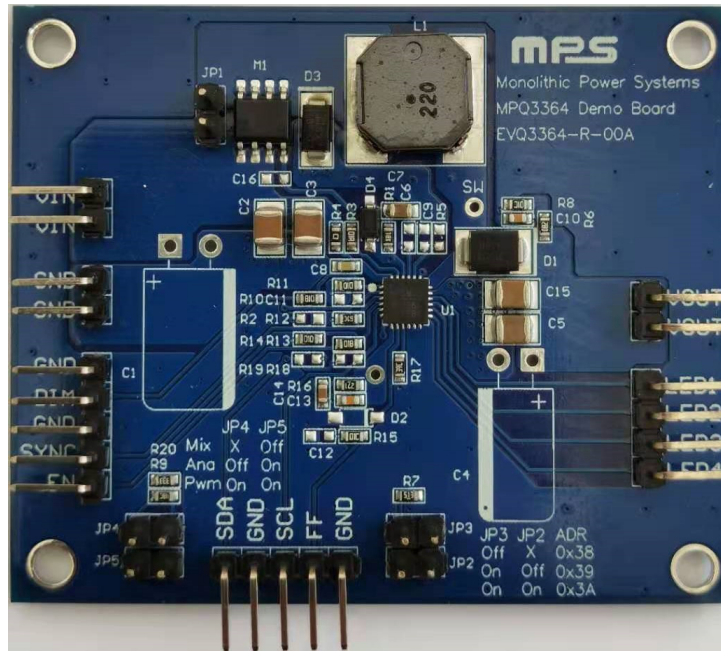
- 3.5V to 36V Input Voltage Range
- 4 Channels with 150mA Max per Channel
- Internal 100mΩ, 50V MOSFET
- Up to 2.2MHz Configurable Switching Frequency (f_{sw})
- Optional f_{sw} Follows the External Clock
- Multiple Dimming Modes through the PWM Input:
 - PWM Dimming
 - Analog Dimming
 - Mixed Dimming with 25% or 12.5% Transfer Point
- 15000:1 Dimming Ratio during PWM Dimming when f_{PWM} ≤ 200Hz
- 200:1 Dimming Ratio during Analog Dimming via PWM Signal Input
- Excellent EMI Performance, Frequency Spread Spectrum
- I²C Interface, 3 Selectable IC Addresses
- Phase Shift Function for PWM Dimming
- 2.5% Current Matching
- Cycle-by-Cycle Current Limiting
- Disconnect V_{OUT} from V_{IN}
- Optional LED Current Auto-Decrement at High Temperatures
- LED Short Protection, LED Open Protection, Over-Temperature Protection (OTP), Over-Current Protection (OCP), and Inductor Short Protection
- Configurable LED Short Threshold and Over-Voltage (OV) Threshold
- Fault Indication Signal Output
- Available in a QFN-24 (4mmx4mm) Package
- Available in AEC-Q100 Grade 1

APPLICATIONS

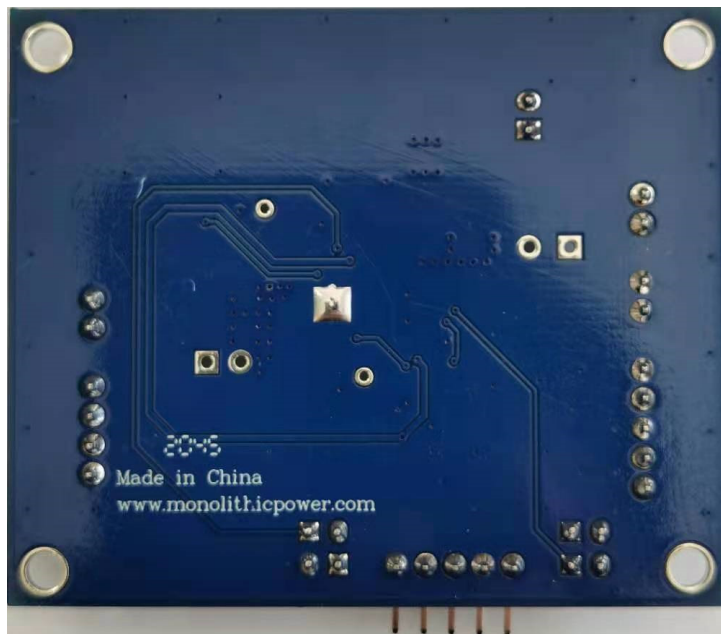
- Tablets
- Notebooks
- Automotive Displays

All MPS parts are lead-free, halogen-free, and adhere to the RoHS directive. For MPS green status, please visit the MPS website under Quality Assurance. "MPS", the MPS logo, and "Simple, Easy Solutions" are trademarks of Monolithic Power Systems, Inc. or its subsidiaries.

EVQ3364-R-00A EVALUATION BOARD



Top Layer



Bottom Layer

LxW (6.35cmx5.25cm)

Board Number	MPS IC Number
EVQ3364-R-00A	MPQ3364GRE

QUICK START GUIDE

1. Preset the power supply between 3.5V and 36V, then turn off the power supply.
2. Connect the LED load (4 strings) terminals to:
 - a. Positive (+): LED+
 - b. Negative (-): LED1~4 pins
3. Pull EN high to turn the converter on; pull EN low to turn it off.
4. Add a 100Hz to 20kHz PWM pulse frequency (f_{PWM}) to the PWM terminal.

If using the I²C to set the IC functions, follow the additional steps below:

5. Connect the SCL, SDA, and GND pins of the evaluation board to the SCL, SDA, and GND pins of the I²C kit (EVKT-USBI2C-02).
6. Write and read the registers:
 - a. Select the correct IC address.
 - b. Check that the I²C kit is communicating with the computer. If the message “USB is not connected” appears on the GUI ⁽¹⁾, then the I²C kit cannot communicate with the computer (see Figure 1). Otherwise, the communication should be functioning properly.
 - c. Select the parameters that are to be changed.
 - d. After setting the desired parameters, click the “WRITE ALL” button to send the data to the IC.
 - e. Click the “READ ALL” button and check that the data has been written to the IC.

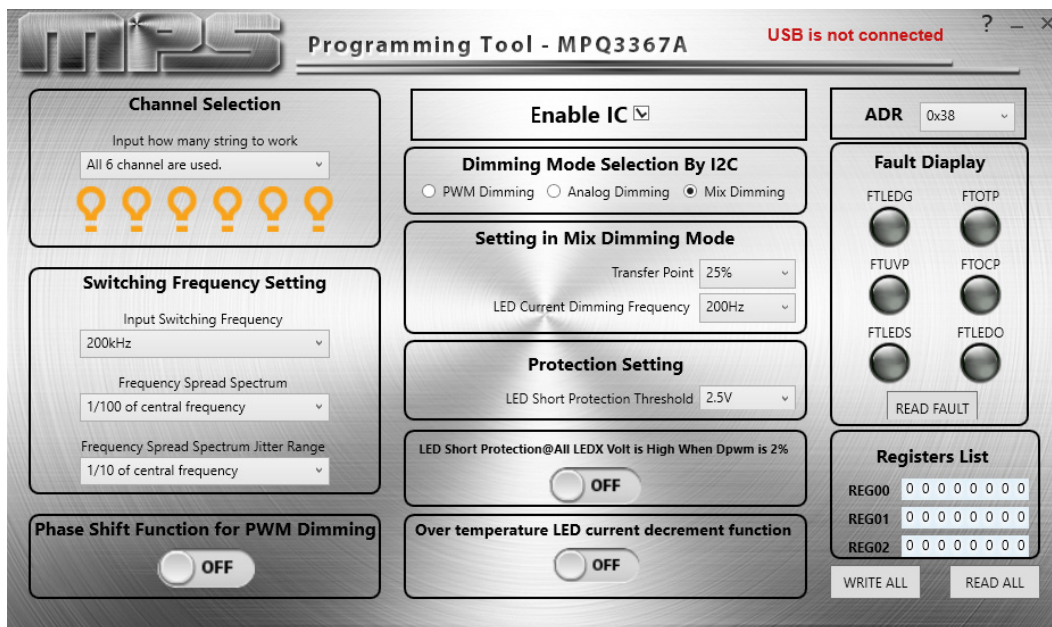


Figure 1: MPQ3364 GUI

Note:

- 1) The GUI can be downloaded from the MPS website.

EVALUATION BOARD SCHEMATIC

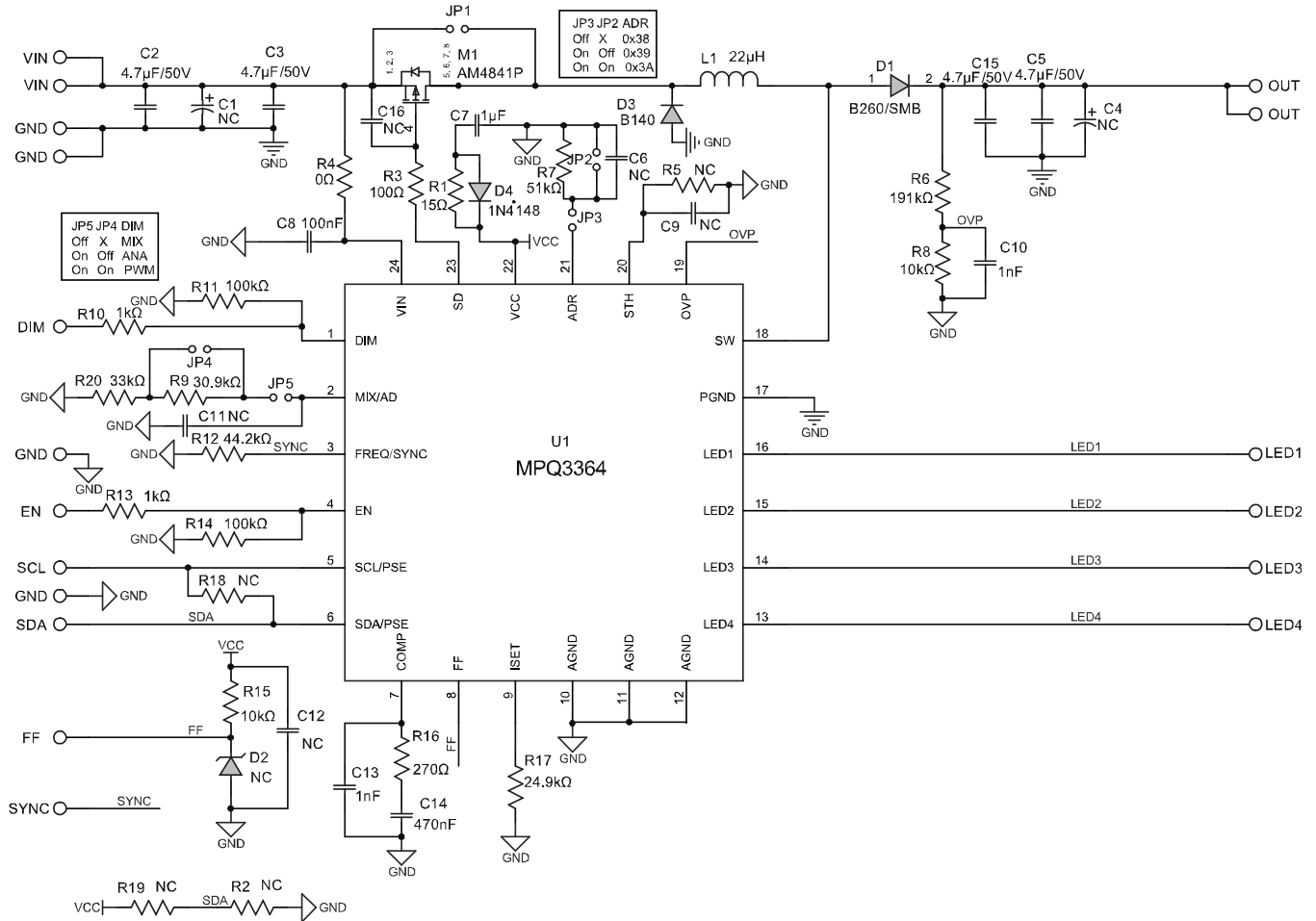


Figure 2: Evaluation Board Schematic

EVQ3364-R-00A BILL OF MATERIALS

Qty	Ref	Value	Description	Package	Manufacturer	Manufacturer PN
1	C1	NC	Electrolytic capacitor, 50V	DIP		
4	C2, C3, C5, C15	4.7μF	Ceramic capacitor, 50V, X7R	1210	Murata	GCM32ER71H475KA55L
1	C4	22μF	Electrolytic capacitor, 50V	DIP		
1	C7	1μF	Ceramic capacitor, 25V, X7R	0805	Murata	GCM21BR71E105KA56L
1	C8	100nF	Ceramic capacitor, 50V, X7R	0603	TDK	GCM188R71H104KA57D
5	C6, C9, C11, C12, C16	NC	Ceramic capacitor	0603		
2	C10, C13	1nF	Ceramic capacitor, 16V, X7R	0603	Wurth	885012206034
1	C14	470nF	Ceramic capacitor, 16V, X7R	0603	TDK	GCM188R71C474KA55D
1	D1	2A	Schottky diode, 60V	SMB	Diodes, Inc.	B260
1	D2	NC	Zener diode, 3.3V	SOD-123		
1	D3	1A	Schottky diode, 40V	SMA	Diodes, Inc.	B140
1	D4	0.15A	Diode, 75V	SOD-123	Changdian	1N4148W
5	JP1, JP2, JP3, JP4, JP5	2.54mm	2-pin connector	DIP	Any	
1	L1	22μH	Inductor, 22μH, 68.1mΩ, I _{SAT} = 4.2A	SMD	Murata	1274AS-H-220M=P3
1	M1	9A	P-channel MOSFET, -40V	SO8	Analog Power	AM4841P
1	R1	15Ω	Film resistor, 1%	0603	Yageo	RC0603FR-0715RL
4	R2, R5, R18, R19	NC	Film resistor, 1%	0603		
1	R3	100Ω	Film resistor, 1%	0603	Yageo	RC0603FR-07100RL
1	R4	0Ω	Film resistor, 1%	0603	Yageo	RC0603FR-070RL
1	R6	191kΩ	Film resistor, 1%	0603	Yageo	RC0603FR-07191KL
1	R7	51kΩ	Film resistor, 1%	0603	Synton-Tech	RC0603FR-0751KL
2	R8, R15	10kΩ	Film resistor, 1%	0603	Yageo	RC0603FR-0710KL
1	R9	30.9kΩ	Film resistor, 1%	0603	Yageo	RC0603FR-0730K9L
2	R10, R13	1kΩ	Film resistor, 1%	0603	Yageo	RC0603FR-071KL
2	R11, R14	100kΩ	Film resistor, 1%	0603	Yageo	RC0603FR-07100KL
1	R12	44.2kΩ	Film resistor, 1%	0603	Yageo	RC0603FR-0744K2L
1	R16	270Ω	Film resistor, 1%	0603	Yageo	RC0603FR-07270RL
1	R17	24.9kΩ	Film resistor, 1%	0603	Yageo	RC0603FR-0724K9L
1	R20	33kΩ	Film resistor, 1%	0603	Yageo	RC0603FR-0733KL
1	U1	MPQ3364	4-channel LED driver	QFN-24 (4mmx4mm)	MPS	MPQ3364GRE

PCB LAYOUT

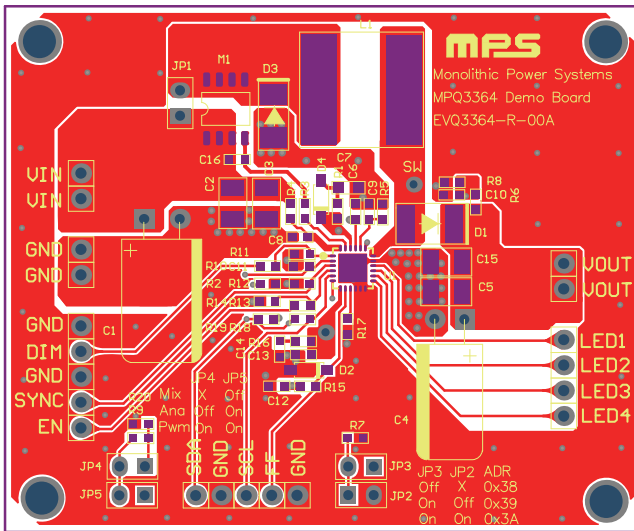


Figure 3: Top Layer

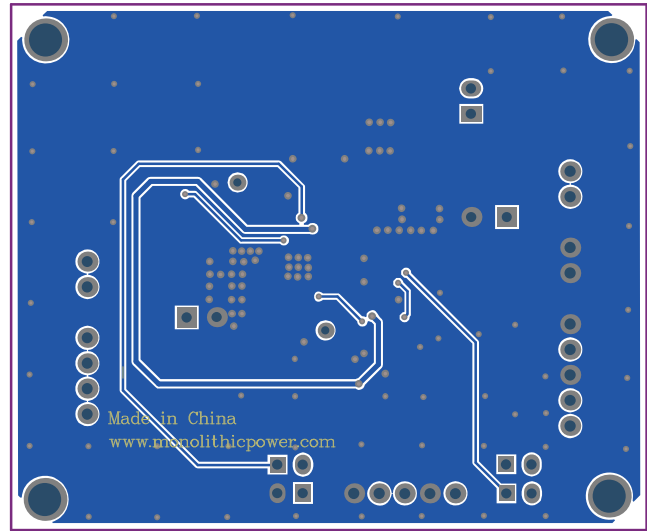


Figure 4: Bottom Layer

REVISION HISTORY

Revision #	Revision Date	Description	Pages Updated
1.0	4/23/2021	Initial Release	-

Notice: The information in this document is subject to change without notice. Please contact MPS for current specifications. Users should warrant and guarantee that third-party Intellectual Property rights are not infringed upon when integrating MPS products into any application. MPS will not assume any legal responsibility for any said applications.

X-ON Electronics

Largest Supplier of Electrical and Electronic Components

Click to view similar products for [LED Lighting Development Tools](#) category:

Click to view products by [Monolithic Power Systems](#) manufacturer:

Other Similar products are found below :

[MIC2870YFT EV](#) [ADP8860DBCP-EVALZ](#) [LM3404MREVAL](#) [ADM8843EB-EVALZ](#) [TDGL014](#) [ISL97682IRTZEVALZ](#) [LM3508TLEV](#)
[EA6358NH](#) [MAX16826EVKIT](#) [MAX16839EVKIT+](#) [TPS92315EVM-516](#) [MAX1698EVKIT](#) [MAX6956EVKIT+](#) [OM13321,598](#) [DC986A](#)
[DC909A](#) [DC824A](#) [STEVAL-LLL006V1](#) [IS31LT3948-GRLS4-EB](#) [104PW03F](#) [PIM526](#) [PIM527](#) [MAX6946EVKIT+](#) [MAX20070EVKIT#](#)
[MAX21610EVKIT#](#) [MAX20090BEVKIT#](#) [MAX20092EVSYS#](#) [PIM498](#) [AP8800EV1](#) [ZXLD1370/1EV4](#) [MAX6964EVKIT](#)
[MAX25240EVKIT#](#) [MAX25500TEVKITC#](#) [MAX77961BEVKIT06#](#) [TLC59116EVM-390](#) [1216.1013](#) [TPS61176EVM-566](#) [TPS61197EVM](#)
[TPS92001EVM-628](#) [1270](#) [1271.2004](#) [1272.1030](#) [1273.1010](#) [1278.1010](#) [1279.1002](#) [1279.1001](#) [1282.1000](#) [1293.1900](#) [1293.1800](#) [1293.1700](#)