

### DESCRIPTION

The MagAlpha MA300 magnetic sensor is an all-in-one solution designed to replace Hall switches for 3-phase block commutation in brushless DC motors and provide encoder data. The MA300 detects the absolute angular position of a permanent magnet, typically a diametrically magnetized cylinder attached to the rotor. The data acquisition and processing is extremely fast, allowing for accurate angle measurement at speeds from 0 to 100,000 RPM.

Since the measurement is spatially confined, users have flexibility in terms of magnet shapes and configurations. This helps relax mechanical tolerances and, in case the end-of-shaft position is not available, the MagAlpha MA300 operates away from the axis of rotation (side-shaft mounting).

Please See Position Sensor Design Support for All Supporting Software

### FEATURES

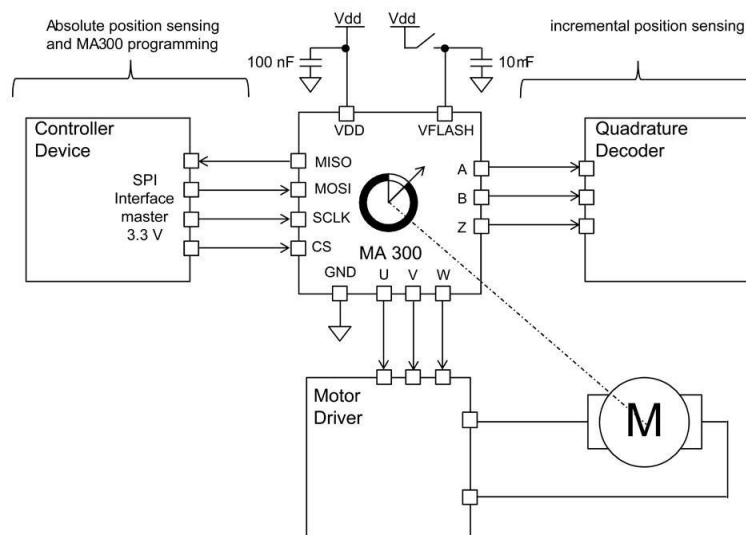
- UVW Signals for Block Commutation
- 11-Bit Resolution Absolute Angle Encoder
- 500kHz Refresh Rate
- Ultra-Low Latency: 3μs
- Serial Interface for Data Readout and Settings
- 10-Bit Incremental Output (A, B, Z)
- Built-In Linearization for Side-Shaft Mounting
- 7.7mA Supply Current
- Available in a QFN-16 (3mmx3mm) Package

### APPLICATIONS

- Servo Drives
- Robotics
- Automotive
- PSM/BLDC Motors
- Encoders

All MPS parts are lead-free, halogen-free, and adhere to the RoHS directive. For MPS green status, please visit the MPS website under Quality Assurance. "MPS" and "The Future of Analog IC Technology" are registered trademarks of Monolithic Power Systems, Inc.

### TYPICAL APPLICATION

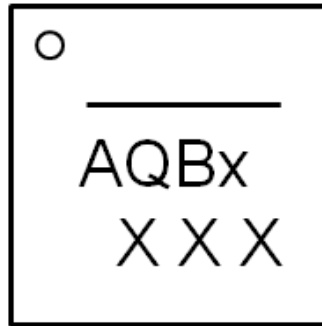


### ORDERING INFORMATION

Part Number*	Package	Top Marking
MA300GQ	QFN-16 (3mmx3mm)	See Below

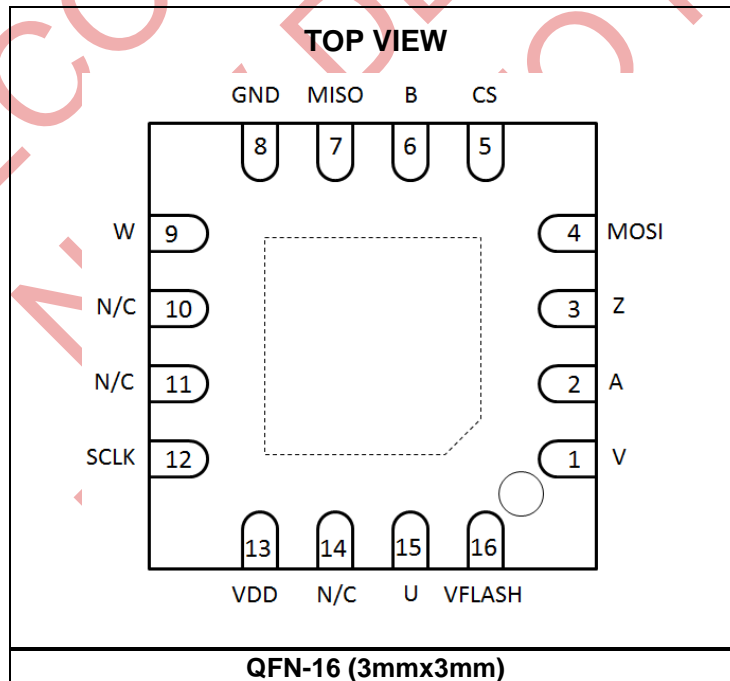
\* For Tape & Reel, add suffix -Z (e.g. MA300GQ-Z)

### TOP MARKING



X: Internal identifiers

### PACKAGE REFERENCE



**ABSOLUTE MAXIMUM RATINGS <sup>(1)</sup>**

Supply voltage (continuous).....	-0.5V to +3.8V
Supply voltage short term .....	-0.5V to +4.1V
I/O pin voltage .....	-0.5V to 3.8V
Continuous power dissipation ( $T_A = +25^\circ\text{C}$ ) <sup>(2)</sup>	
.....	2.5W

<b>Thermal Resistance <sup>(3)</sup></b>	$\theta_{JA}$	$\theta_{JC}$	
QFN-16 (3mmx3mm).....	50.....	12...	$^\circ\text{C/W}$

**NOTES:**

- 1) Exceeding these ratings may damage the device.
- 2) The maximum allowable power dissipation is a function of the maximum junction temperature  $T_J$  (MAX), the junction-to-ambient thermal resistance  $\theta_{JA}$ , and the ambient temperature  $T_A$ . The maximum allowable continuous power dissipation at any ambient temperature is calculated by  $P_D$  (MAX) =  $(T_J$  (MAX) -  $T_A$ ) /  $\theta_{JA}$ .
- 3) Measured on JESD51-7, 4-layer PCB.

NOT RECOMMENDED FOR NEW DESIGNS REFER TO MA302

**ELECTRICAL CHARACTERISTICS**

Parameter	Symbol	Condition	Min	Typ	Max	Units
<b>Operating Conditions</b>						
Supply voltage	VDD		3.0	3.3	3.6	V
Supply voltage for OTP flashing	V <sub>flash</sub>		3.9	4.0	4.1	V
Supply current for OTP flashing <sup>(4)</sup>	I <sub>flash</sub>		50		100	mA
Operating temperature	Top		-40		125	°C
Applied magnetic field	B		30	75		mT

**NOTE:**

4) Please see the OTP Programming section for more details about the supply circuits for OTP flashing.

NOT RECOMMENDED FOR NEW DESIGNS REFER TO MA302

**ELECTRICAL CHARACTERISTICS**
**VDD = 3.3 V, 50mT < B < 100mT, Temp = -40°C to +125°C, unless otherwise noted.**

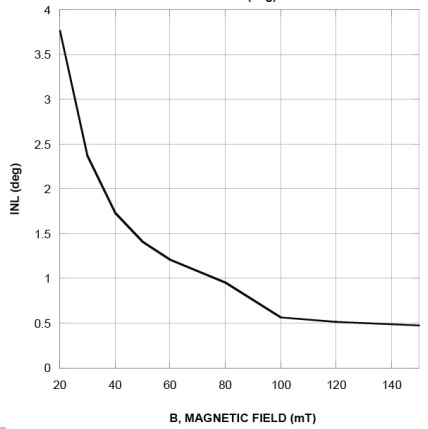
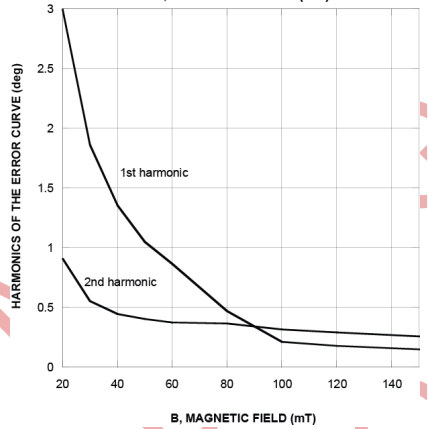
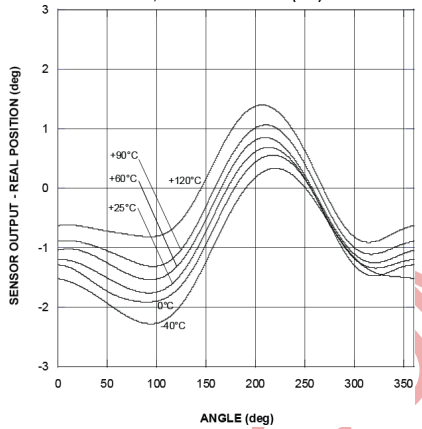
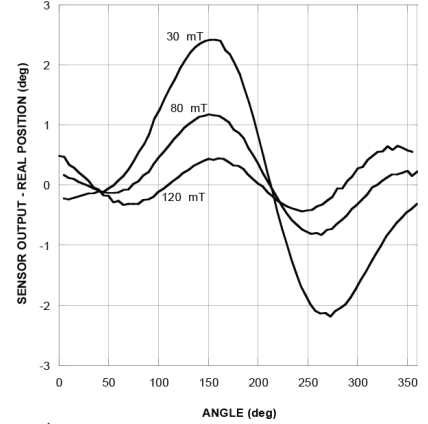
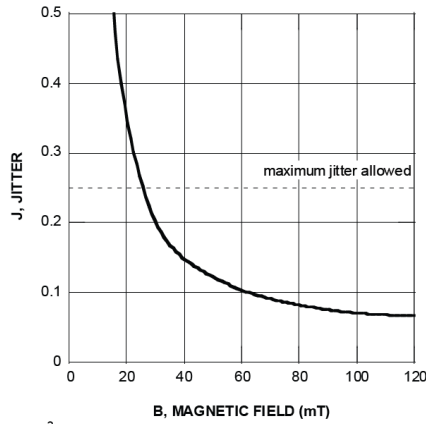
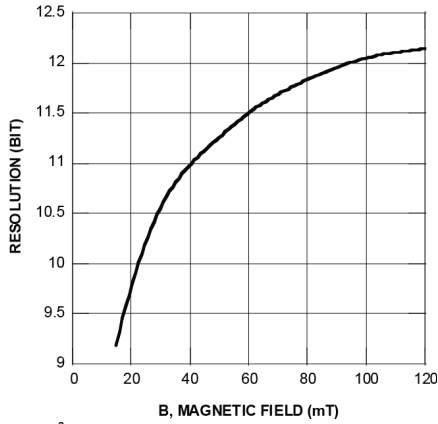
Parameter	Symbol	Condition	Min	Typ	Max	Units
<b>Sensor Output Specifications</b>						
Power-up time <sup>(5)</sup>				2	3	ms
Supply current			6.0	7.7	8.8	mA
INL at 25°C		At room temperature over the field range	±0.9	±1.6	±2.0	deg
INL between -40°C to +125°C <sup>(5)</sup>		The largest value over the temperature range and field range	±0.5	±1.6	±2.5	deg
<b>Output Drift</b>						
Temperature induced <sup>(5)</sup>			-0.026		+0.026	deg/°C
Magnetic field induced <sup>(5)</sup>			-0.023		+0.023	deg/mT
Voltage supply induced <sup>(5)</sup>			-0.7		+0.7	deg/V
<b>Absolute Output – Serial</b>						
Data output length			16		16	bit
Refresh rate			488	524	558	kHz
Latency <sup>(6)</sup>		Measured at constant speed		3		µs
Resolution (3σ noise level)		Measured by averaging over all angles	10.7	12.0	13.0	bit
<b>Incremental Output – ABZ <sup>(7)</sup></b>						
Resolution				1024		edges/revol.
Jitter		Up to 15,000 RPM		10		% of a period
Hysteresis <sup>(6)</sup>			0.2		0.27	deg
<b>UVW</b>						
Resolution of the edge position				8		bit
Jitter					1.4	deg
Hysteresis			0.2		0.27	deg
<b>Digital I/O</b>						
Threshold voltage high				1.75		V
Threshold voltage low				1.05		V
Rising edge slew rate		CL = 50pF		0.7		V/ns
Falling edge slew rate		CL = 50pF		0.7		V/ns
<b>OTP Flash Timing</b>						
Flashing time for one register <sup>(6)</sup>					2.6	ms
Period for multiple registers flashing <sup>(6)</sup>		Time between 2 successive flash commands	2.6			ms

**NOTES:**

- 5) Guaranteed by design.
- 6) Guaranteed by characteristic test.
- 7) See Appendix B.

### TYPICAL CHARACTERISTICS

VDD = 3.3V, Temp = 25°C, unless otherwise noted.



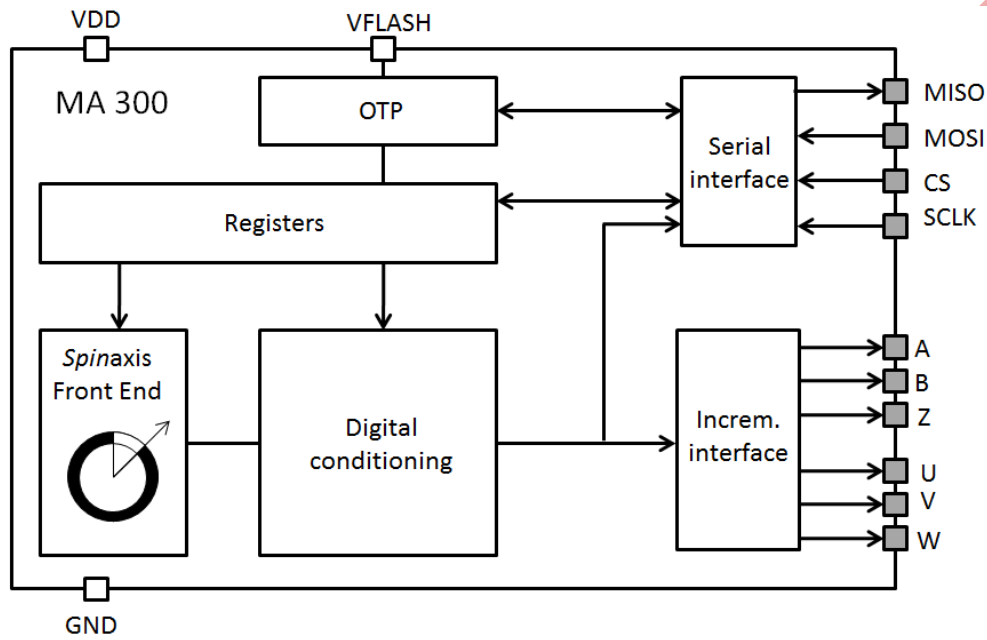
NOT REC NEW REFER TO

**PIN FUNCTIONS**

Package Pin #	Name	Description
1	V	<b>Incremental output.</b>
2	A	<b>Incremental output.</b>
3	Z	<b>Incremental output.</b>
4	MOSI	<b>Data in. Serial.</b>
5	CS	<b>Chip select. Serial.</b>
6	B	<b>Incremental output.</b>
7	MISO	<b>Data out. Serial.</b>
8	GND	<b>Ground.</b>
9	W	<b>Incremental output.</b>
10, 11, 14	NC	<b>No connection. Leave NC unconnected.</b>
12	SCLK	<b>Clock. Serial.</b>
13	VDD	<b>3.3V supply.</b>
15	U	<b>Incremental output.</b>
16	VFLASH	<b>Voltage supply for OTP flash. Leave unconnected if not used.</b>

NOT RECOMMENDED FOR  
 NEW DESIGNS  
 REFER TO MA302

**BLOCK DIAGRAM**



**Figure 1: Functional Block Diagram**

NOT RECOMMENDED FOR NEW DESIGNS  
 REFER TO MA302



## OPERATION

### Timing of the Serial Interface

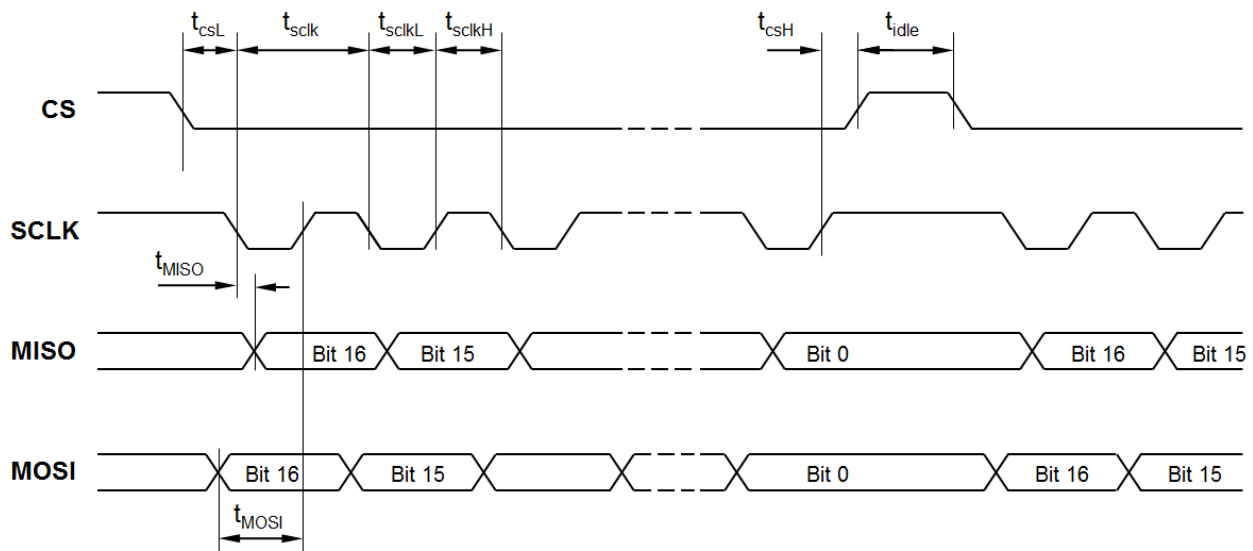
The data link is a 4-wire serial bus complying with the serial peripheral interface (SPI) usual convention (see Table 1 and Table 2). The MagAlpha sensor operates as a slave. During one transmission, a 16-bit word can be sent to the sensor MOSI and received from the sensor MISO simultaneously (see Figure 2 and Table 3). A time stamp is accessible by clocking more than 16 pulses, 24 bits of data total (16 bits for the angle and 8 bits for a time index). See the Output Signals section on page 13 for details.

**Table 1: SPI Specification**

SCLK idle state	High
SCLK readout edge	Rising
CS idle state	High
Data order	MSB first

**Table 2: SPI Standard**

CPOL	1
CPHA	1
MODE	3
DORD	0


**Figure 2: SPI Timing Diagram**
**Table 3: SPI Timing**

Parameter	Description	Min	Max	Unit
$t_{idle}$	Time between two subsequent transmissions	50		ns
$t_{csL}$	Time between CS falling edge and SCLK falling edge	50		ns
$t_{sclk}$	SCLK period	40		ns
$t_{sclkL}$	Low level of SCLK signal	20		ns
$t_{sclkH}$	High level of SCLK signal	20		ns
$t_{csH}$	Time between SCLK rising edge and CS rising edge	25		ns
$t_{MOSI}$	Data input valid to SCLK reading edge	15		ns
$t_{MISO}$	SCLK setting edge to data output valid		15	ns

**REGISTERS**
**Table 4: Register Map**

No	Hex	Bin	Bit 7 MSB	Bit 6	Bit 5	Bit 4	Bit 3	Bit 2	Bit 1	Bit 0 LSB
3	0x3	0011	BCT(7:0)							
4	0x4	0100	Z(11:4)							
5	0x5	0101	0	0	ETY	ETX	Z(3:0)			
9	0x9	1001	-	-	F5	F4	F3	-	-	-

**Table 5: Programming Parameters**

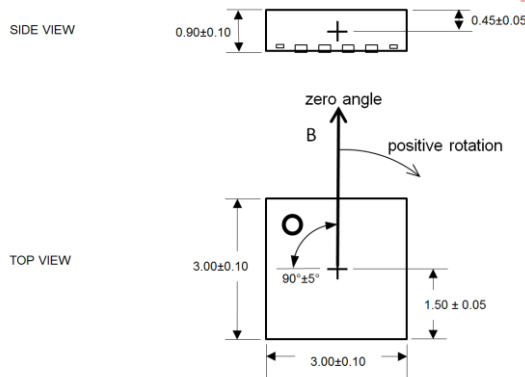
Parameters	Symbol	Number of Bits	Description	See Table
Bias current trimming	BCT	8	For side-shaft configuration: reduce the Hall device bias current of the X- and/or Y-axis	
Zero setting	Z	12	Set the zero position	7
Enable trimming X	ETX	1	When enabled, the X-axis bias current is trimmed by the quantity BCT	6
Enable trimming Y	ETY	1	When enabled, the Y-axis bias current is trimmed by the quantity BCT	6
Flash register <i>n</i>	<i>Fn</i>	1	Flash the content of register number <i>n</i>	

**Sensor – Magnet Mounting**

The sensitive volume of the MA300 is confined in a region less than 100µm wide and has multiple integrated Hall devices. This volume is located both horizontally and vertically within 50µm of the center of the QFN package. The sensor detects the angle of the magnetic field projected in a plane parallel to the package’s upper surface. This means that the only relevant magnetic field is the in-plane component (X and Y components) in the middle point of the package.

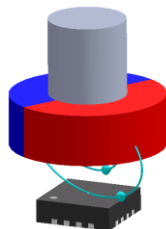
**Rotation Direction**

Looking at the MagAlpha from the top, the angle increases when the magnetic field rotates clockwise. Figure 3 shows the zero angle of the unprogrammed MA300, where the cross indicates the sensitive point.



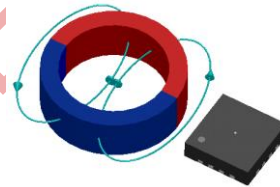
**Figure 3: Zero Angle of Unprogrammed MA300**

This type of detection provides flexibility for the design of an angular encoder. The sensor only requires the magnetic vector to lie essentially within the sensor plane with an amplitude of at least 30mT. Note that the MA300 can work with fields smaller than 30mT, but the linearity and resolution performance may deviate from the specifications. The straightforward solution is to place the MA300 sensor on the rotation axis of a permanent magnet (i.e.: a diametrically magnetized cylinder) (see Figure 4).



**Figure 4: End-of-Shaft Mounting**

If the end-of-shaft position is not available, the sensor can be positioned away from the rotation axis of a cylinder or ring magnet (see Figure 5). In this case, the magnetic field angle is no longer directly proportional to the mechanical angle. The MA300 can be adjusted to compensate for this effect and recover the linear relation between the mechanical angle and the sensor output. With multiple pole pair magnets, the MA300 indicates multiple rotations for each mechanical turn.

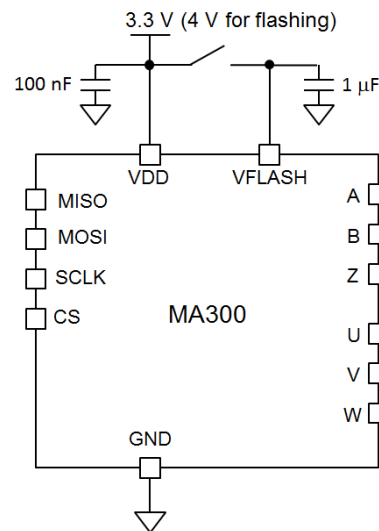


**Figure 5: Side-Shaft Mounting**

**Mounting and Power Supply Decoupling**

For most applications, a single 100nF bypass capacitor placed close to the supply pins decouples the MA300 from power supply noise. If better decoupling is required, a larger capacitor (i.e.: 1µF to 10µF) can be added in parallel with the 100nF capacitor, and/or a serial resistor (i.e.: 10Ω) can be added on the supply line. Ensure that the capacitor is connected with low impedance paths.

VFLASH needs to be supplied only when flashing the memory. Otherwise, VFLASH can remain unconnected or grounded (see Figure 6).



**Figure 6: Connection for Supply Decoupling**

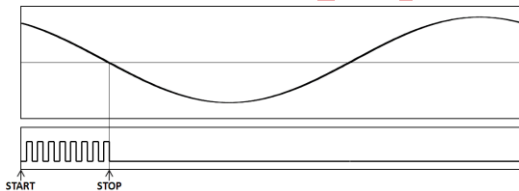
The exposed pad of the package can be soldered to the PCB to ensure optimum

electrical, thermal, and mechanical conditions. In case the exposed pad is soldered, it is recommended that the pad is electrically connected to ground.

**Sensor Front-End**

The magnetic field is detected with integrated Hall devices located in the center of the package. The angle is measured using the *Spinaxis* method, which directly digitizes the direction of the field without any arctangent computation or feedback loop-based circuit (interpolators, etc.).

The *Spinaxis* method is based on phase detection. It requires sensitive circuitry that generates a sinusoidal signal with a phase that represents the angle of the magnetic field. The angle is then retrieved by a time-to-digital converter, which counts the time between the zero crossing of the sinusoidal signal and the edge of a constant waveform (see Figure 7). The digitized time is the front-end output. At the output, the front-end delivers a digital number proportional to the angle of the magnetic field at the rate of 500kHz in a straightforward and open-loop manner.



Top: Sine Waveform  
Bottom: Clock of Time-to-Digital Converter  
Figure 7: Phase Detection Method

**Side Shaft**

In case the MA300 is mounted in a side-shaft configuration, the relationship between the field angle and the mechanical angle is no longer directly linear. This is related to the fact that the tangential magnetic field is usually smaller than the radial field.

The field ratio (*k*) can be defined with Equation (1):

$$k = B_{rad} / B_{tan} \tag{1}$$

Where  $B_{rad}$  is the maximum radial magnetic field, and  $B_{tan}$  is the maximum tangential magnetic field (see Figure 8).

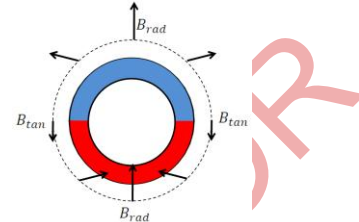


Figure 8: Side-Shaft Field

The ratio (*k*) depends on the magnet geometry and the distance to the sensor.

The X-axis or the Y-axis bias currents can be reduced to recover an equal Hall signal for all angles, and therefore suppress non-linearity. The parameters ETX and ETY control in which direction sensitivity is reduced. The current reduction is set by the parameter bias current trimming (BCT) (7:0), which is an integer from 0 to 255.

To find the optimum BCT, change the value until the non-linearity reaches a minimum. Such calibration should be performed on individual parts.

**Sensor Orientation: ETX and ETY**

The dot printed on the package shows whether the radial field is aligned with the sensor coordinate X or Y (see Figure 9).

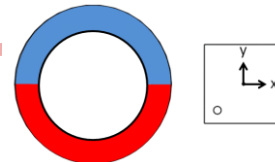


Figure 9: Package Top View with X- and Y-Axes

First, determine which axis needs to be reduced (see the qualitative field distribution around in Figure 8). For instance, with the arrangement depicted in Figure 9, the field along Y is tangential and therefore weaker. The X-axis should be reduced (ETX = 1, ETY = 0). Note that if both ETX and ETY are set to 1, the current bias is reduced in both directions the same way (i.e.: without side-shaft correction) (see Table 6).

Table 6: ETX and ETY

ETX	Enable trimming the X-axis
0	Disabled
1	Enabled
ETY	Enable trimming the Y-axis
0	Disabled
1	Enabled

## Digital Signal Conditioning

### Digital Filtering

Advanced digital filtering improves the resolution without adding latency. Measuring the rotation speed over the last 256 data points in addition to the angular position provides the best possible evaluation of the present position with the smallest possible lag.

### Zero Setting

The zero position of the MagAlpha ( $a_0$ ) can be programmed with 12 bits of resolution. The angle streamed out ( $a_{out}$ ) is given by Equation (3):

$$a_{out} = a_{fe} - a_0 \quad (3)$$

Where  $a_{fe}$  is the raw angle out of the front end.

The parameter Z(11:0), which is 0 by default, determines  $a_0$  (see Table 7). This setting is valid for all output formats, such as SPI, ABZ, and UVW.

**Table 7: Zero Position**

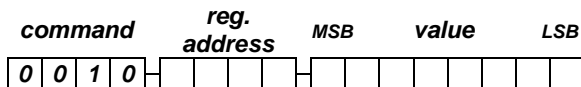
Z(11:0)	Zero Position $a_0$ (deg)
0	0
1	0.088
...	...
4095	359.912

### Programming the MA300

The MA300 incorporates three programmable registers. Each register has 8 bits of memory. When the MA300 is powered up, each of these three 8 bits of memory are set to zero, unless the register was previously stored in the one-time programmable (OTP) memory. This means that during start-up, the content of the OTP memory is copied to the registers. Once flashed, the register content can no longer be modified.

To set the content of a register, a digital stream must be sent to the register consisting of the 4-bit register/write command (0010), a 4-bit register address, and the 8-bit value.

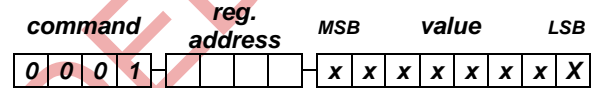
The data stream, sent through the MOSI wire is a total of 16 bits long:



Once the command is sent, it is effective immediately and affects the next data sent from the MagAlpha.

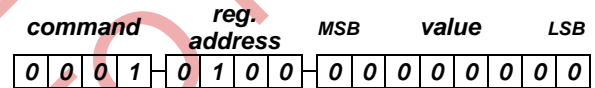
### Reading Back the Register Content

To check the content of a register to verify that the programming was successful, first send the register/read command (0001) and the 4-bit address of the register being tested. The last 8 bits of the stream are irrelevant. For instance, the value 0000 0000 can be sent:

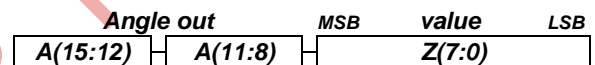


The MagAlpha response is within the same transmission. In the first byte (simultaneous to the 4-bit read command and the 4-bit address), the MagAlpha sends the 8 MSB of the measured angle A(15:8). The second byte is the content of the register being tested. After this transmission, the MagAlpha continues delivering the usual 16-bit angles A(15:0).

For example, to check the content of the register 4 (0100), which contains 8 MSBs of the zero setting, send the data:

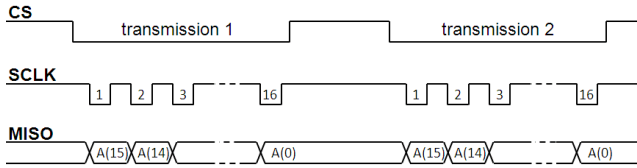


Simultaneously, the MagAlpha replies:



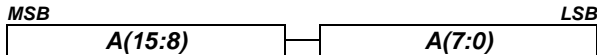
### Output Signals

The bit order of the transmitted data is MSB first and LSB last. Every 2μs, new data is transferred into the output buffer. The master device connected to the MagAlpha triggers the reading by pulling CS down. When a CS signal falling edge occurs, the data remains in the output buffer until the CS signal returns to logic 1. When CS is low, the master can read the data by sending clock pulses with a maximum frequency of 25MHz. There is no minimum frequency or timeout. See Figure 10 for a simple reading of the 16-bit data.

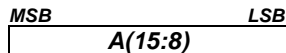


**Figure 10: Timing Diagram for Simple SPI Readout**

A full reading requires 16 clock pulses. The MA300 delivers:



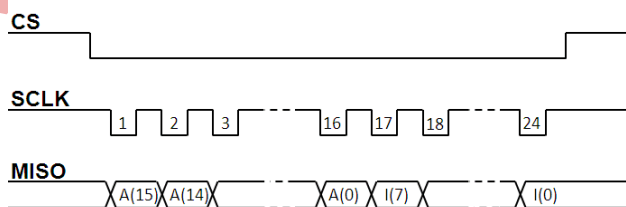
If less resolution is needed, the angle can be read by sending fewer than 16 pulses, since the MSB is sent first. For instance, by sending only 8 pulses, the MagAlpha provides an 8-bit angle without ambiguity over 360 degrees:



If the master triggers the reading faster than the refresh rate, the MagAlpha may send the same sample several times.

In some applications, it is helpful to know how many data updates occur between two successive readouts or if the same data points were read more than once. For this purpose, an 8-bit index attached to the data can be read. This keeps track of the precise time of measurement without needing to control the readout time precisely. This index runs from 0 to 255 and is incremented by 1 each time the output buffer is refreshed. The index can detect a double reading of the same data (same index) or show how many data points were skipped (see Figure 11).

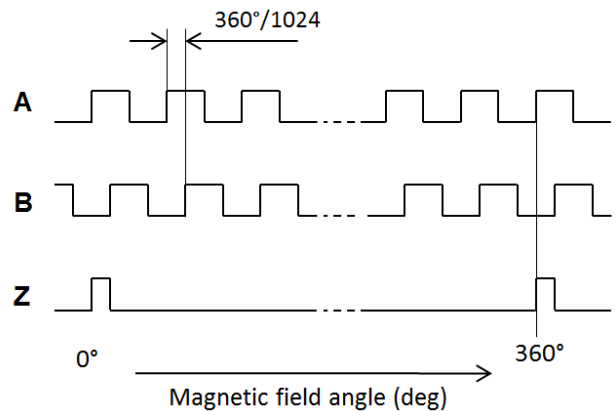
To read the 8-bit index, the master must send  $16 + 8 = 24$  clock pulses.



**Figure 11: Timing Diagram for SPI Angle + Index Readout**

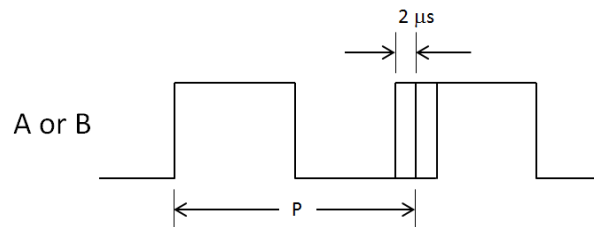
**Incremental – ABZ**

With the ABZ output, the MA300 emulates a 10-bit incremental encoder (such as an optical encoder) providing logic pulses in quadrature (see Figure 12). Compared to signal A, signal B is shifted by a quarter of the pulse period. Over one revolution, signal A pulses 256 times. This yields 1024 edges per revolution. Signal Z (zero or index) raises only once per turn at the zero-angle position. The minimum recommended field for ABZ reading is 35mT. See Appendix B for more information.



**Figure 12: ABZ Output during Rotation**

The ABZ state is updated every  $2\mu s$ . This means that at a high RPM, an ABZ jitter is caused by the discretization of the pulse length. For instance, at 15,000 RPM, the period (P) of the signal A or B is  $16\mu s$ . Therefore, the jitter is  $2/16 = 12.5\%$ . Note that the raising edge of Z occurs exactly at the sensor zero position. Due to the 1 LSB hysteresis introduced on both the A and B channels, the Z edge is not necessarily synchronized with an A or B edge (see Figure 13).



**Figure 13: ABZ Jitter**

Above 15,000, the ABZ signal is still usable. Note that when the jitter is larger than 25% (i.e.: when the speed exceeds 30,000 RPM), the A and B signal edge may coincide.

**Block Commutation - UVW**

The UVW output emulates the three Hall switches usually used for the block commutation of the 3-phase electric motor. The three logic signals have a duty cycle of 1/2 and are shifted by 60 degrees relative to each other (see Figure 14).

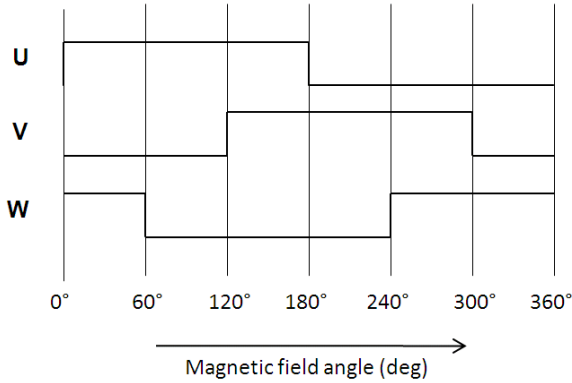


Figure 14: UVW Output during Rotation

**One-Time Programmable (OTP) Programming**

The one-time programmable (OTP) memory can permanently store the content of the programmable registers. The OTP memory is made of poly-silicon fuses. By activating the flash command, the content of an entire register can be stored in the OTP memory. The flash command consists of setting some bits ( $F_n$ , where  $n$  is the register number) in register 9. For flashing the register, when the bit  $F_n$  is set, the register  $n$  is stored permanently. It is important to note that only one register can be flashed at a time. It is possible to operate the MagAlpha without flashing the registers (see Figure 15).

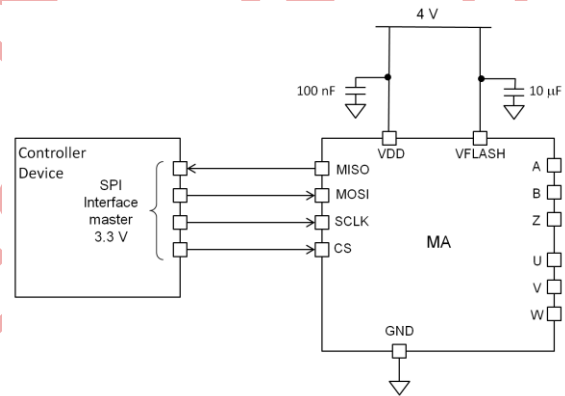


Figure 15: Circuit for Flashing

Burning the fuses during the flash process is irreversible. Once a register is flashed, the default values at power-up are always the same. After flashing the content of the registers can no longer be modified.

### Flashing Procedure

Prior to flashing, it is recommended to test the MagAlpha with the new settings and verify the performance of the sensor. Then, proceed with the flashing using the below steps:

1. Send the parameter to the register.
2. Read back for verification.
3. Connect VFLASH to VDD.
4. Raise VDD to 4V.
5. Set the bit corresponding to the register to be flashed in register 9.
6. Untie VFLASH.
7. Return VDD to 3.3V.
8. Switch the MagAlpha off and on.
9. Check by reading back the register content.

### Permanently Storing the Zero Position

The following example shows how to set and flash the zero position at 50 deg. Note that permanently storing the zero position requires burning the registers 4 and 5.

1. Convert into binary within a resolution of 12 bits. 50 deg in binary is 001000111000 ( $\approx 49.92$  deg).
2. Store the 8 MSB (00100011) of the zero position in register 4:

command	reg. address	MSB	value	LSB
0 0 1 0	0 1 0 0	0 0 1 0 0 0	1 1	

3. Read back register 4:

command	reg. address	MSB	value	LSB
0 0 0 1	0 1 0 0	0 0 0 0 0 0 0 0		

If the programming was correct, the MagAlpha replies with the register 4 content:

Angle out	MSB	value	LSB
A(15:12)	A(11:8)	0 0 1 0 0 0	1 1

4. Store the 4 LSB (1000) of the zero position into the 4 LSB of register 5:

command	reg. address	MSB	value	LSB
0 0 1 0	0 1 0 1	0 0 0 0	1 0 0 0	

5. Read back register 5:

command	reg. address	MSB	value	LSB
0 0 0 1	0 1 0 1	0 0 0 0	0 0 0 0	

The MagAlpha returns:

Angle out	MSB	value	LSB
A(15:12)	A(11:8)	0 0 0 0	1 0 0 0

### Completing Flashing

1. Connect VFLASH to VDD and raise the supply to 4V.
2. Flash register 4:

command	reg. address	MSB	value	LSB
0 0 1 0	1 0 0 1	0 0 0 1 0 0 0 0		

3. Flash register 5:

command	reg. address	MSB	value	LSB
0 0 1 0	1 0 0 1	0 0 1 0 0 0 0 0		

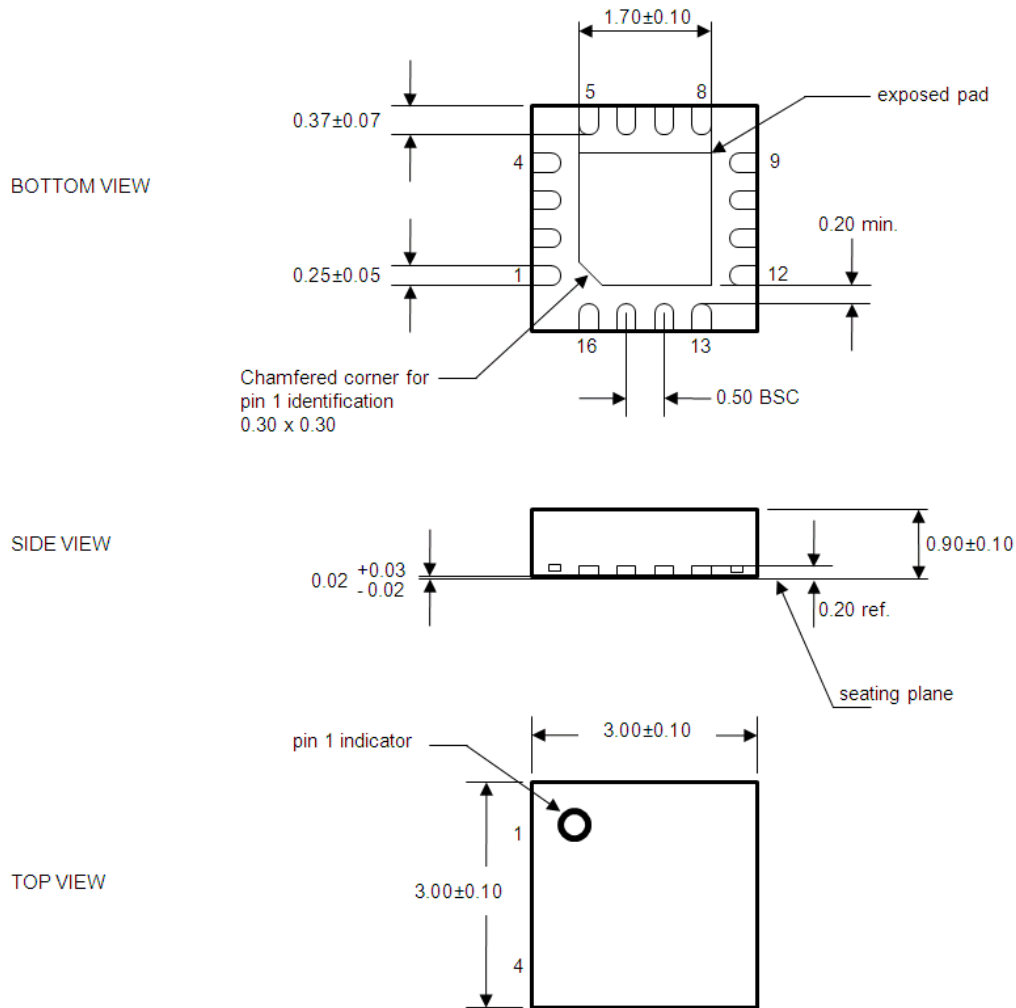
4. Disconnect VFLASH from VDD.
5. Turn the MagAlpha off and on (with VDD back to the normal 3.3V value).
6. Read back registers 4 and 5 to verify that the flashing was successfully accomplished.

For flashing multiple registers, send the flash command one by one. The flashing rate is specified in Sensor Output Specifications in the EC table.



PACKAGE INFORMATION

QFN-16 (3mmx3mm)



NOTES:

1. All dimensions are in mm.
2. Package dimensions do not include mold flash, protrusions, burrs, or metal smearing.
3. Coplanarity shall be 0.08.
4. Compliant with JEDEC MO-220.

APPENDIX A: DEFINITIONS

- Resolution (3σ noise level)** The smallest angle increment distinguishable from the noise. Here, the resolution is defined as 3 times σ (the standard deviation in degrees) taken over 1000 data points at a constant position. The resolution in bits is obtained with  $\log_2(360/6\sigma)$ .
- Refresh Rate** Rate at which new data points are stored in the output buffer.
- Latency** The time between the data-ready at the output and the instant at which the shaft passes that position. The lag in degrees is  $lag = latency \cdot v$ , where  $v$  is the angular velocity in deg/s.
- Power-Up Time** Time until the sensor delivers valid data starting at power-up.
- Integral Non-Linearity (INL)** Maximum deviation between the noiseless sensor output and the shaft angle if the shaft zero angle coincides with the sensor zero angle.
- Drift** Angle variation rate when one parameter is changed (e.g.: temperature, VDD) and all the others, including the shaft angle, are maintained constant.

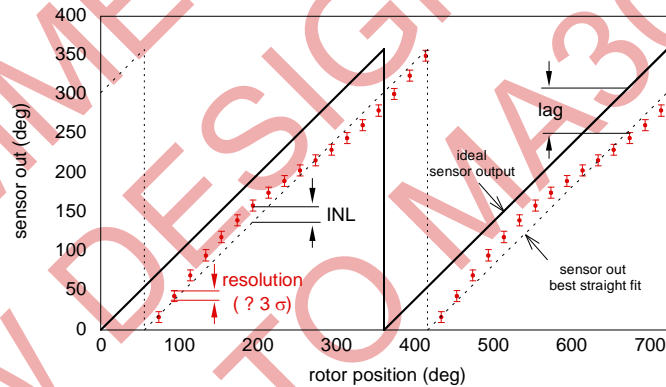


Figure A1: Absolute Angle Errors

**Jitter** For the incremental output,  $da$  is the maximum deviation of the angular position of an edge with respect to the ideal value. This means that each edge occurs at the ideal angle + or - the angle  $da$ .

Since the period of the A or B channel is  $P = 4 \cdot 360/N$ , where  $N$  is the number of edges per revolution (EPR), the jitter is  $J = da/P$ .

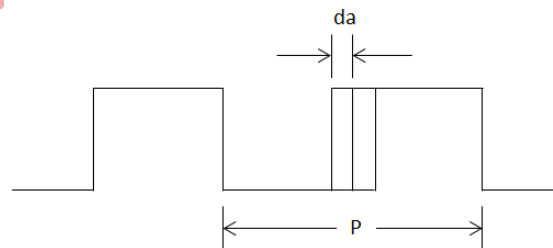


Figure A2: Jitter of Incremental Outputs

**Overall Reproducibility** Maximum variation between two readings, successive or not, of the same shaft position at a fixed magnetic field over the complete temperature range.

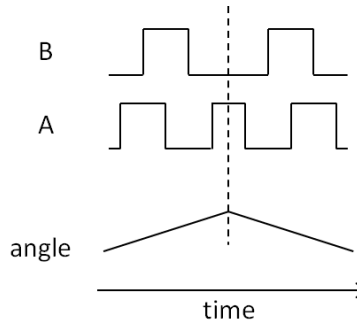
## APPENDIX B: ERRATA

### Drift of the ABZ Output

Symptom: when changing the rotation direction, the ABZ output may exhibit one extra edge, thus creating an angle offset of 1 LSB ( $360/2^{10}$ ).

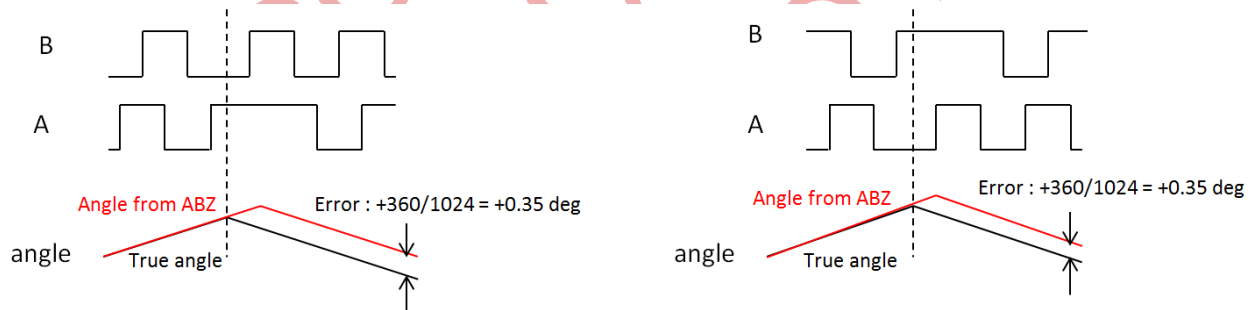
### Detailed Description

In case of a rotation direction change, the AB output behaves as shown in Figure B1. Note that to simplify this errata, we neglect the hysteresis, which does not have any effect on this issue.



**Figure B1: Mechanical Angle Changing from CW to CCW Direction at Dotted Line**

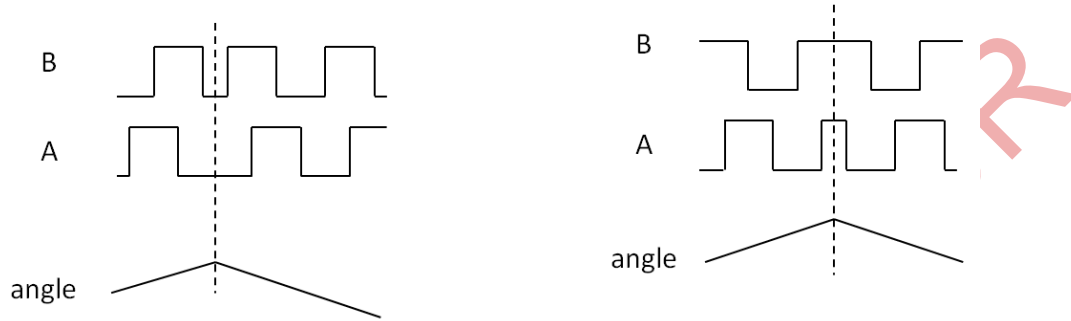
Instead, when the direction change occurs when one channel is high and the other is low, one channel exhibits an extra transition, as if the rotation continues in the first direction by an angle  $360^\circ/1024=0.35^\circ$ . Figure B2 shows a change from CW to CCW. In the figure, the ABZ output delivers an extra transition, creating an offset of 1 LSB in the CW direction.



**Figure B2: Direction Change from CW to CCW**

In case of change from CCW to CW the same issue occurs, an extra transition induces an angle offset of  $0.35^\circ$ , but this time in the CCW direction.

When both A and B channels are in the same state, there is no extra transition (see Figure B3).



**Figure B3: Direction Change from CW to CCW when Both Channels are in the Same Logical State (No Issue)**

**Consequence**

In applications where the direction of rotation changes, the ABZ output generates additional edge transitions 50% of the time on average with equal probability in either CW or CCW directions. The angular position given by the ABZ output after N direction change behaves as a random walk. The indicated angle drifts by the quantity shown in Equation (B1):

$$drift(in\ deg) = \sqrt{\frac{2N\ 0.35^\circ}{\pi}} \tag{B1}$$

**Recommended Actions**

No fix is planned for this on the MA300 and MA700 devices. For applications using ABZ with direction change, MPS recommends using the MA302 and MA702 devices.

NOT RECOMMENDED  
NEW DESIGNERS  
REFER TO MA302

**NOTICE:** The information in this document is subject to change without notice. Users should warrant and guarantee that third party Intellectual Property rights are not infringed upon when integrating MPS products into any application. MPS will not assume any legal responsibility for any said applications.

## X-ON Electronics

Largest Supplier of Electrical and Electronic Components

*Click to view similar products for* [Board Mount Hall Effect/Magnetic Sensors](#) *category:*

*Click to view products by* [Monolithic Power Systems](#) *manufacturer:*

Other Similar products are found below :

[HGPRDT005A](#) [AH1808-P-A](#) [AH277AZ4-AG1](#) [AV-10379](#) [AV-10448](#) [SS41C](#) [AH1894-Z-7](#) [ATS601LSGTN-LT-WU4-T](#) [TLE4917](#)  
[50017859-003](#) [TY-13101](#) [TLE4976L](#) [SS85CA](#) [AH277AZ4-BG1](#) [TLE49614MXTSA1](#) [AH3382-P-B](#) [AH3377-P-B](#) [AH211Z4-AG1](#) [AH3360-](#)  
[FT4-7](#) [SS460S-100SAMPLE](#) [50065820-03](#) [TLE4941PLUSCB](#) [AH374-P-A](#) [AH1806-P-A](#) [AH374-W-7](#) [SS460P-T2](#) [AH1912-FA-7](#) [SS413F](#)  
[TLE5046ICAKLRHALA1](#) [TLE49421CHAMA2](#) [TLE4941PLUSCXAMA1](#) [AH1912-W-EVM](#) [AH1903-FA-EVM](#) [AH3774-W-EVM](#)  
[AH49FNTR-EVM](#) [MMC5633NJL](#) [AH3360-FA-EVM](#) [AH8502-FDC-EVM](#) [AH3366Q-SA-EVM](#) [AH3774-P-EVM](#) [KTH1601SU-ST3](#)  
[MG910](#) [MG910M](#) [MG911](#) [MG610](#) [MW921](#) [MW922](#) [TLE4998S3XALA1](#) [TLE5011FUMA1](#) [TLE5027CE6747HAMA1](#)