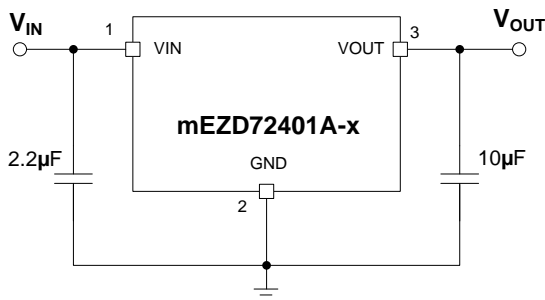


mEZ Product Options:

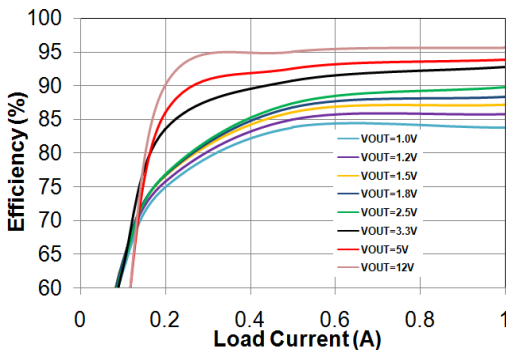
1. Ready-to-Use products
 2. Do-It-Yourself.
- Manufacture assistance is provided



Typical Application Circuit

Efficiency vs. Load Current

$V_{IN}=24V$, $V_{OUT} = 1V - 12V$



FEATURES

- 4.5V to 36V Wide Operating Input
- 1A Load Current
- Hiccup Short-Circuit Protection
- Over-/Under-Voltage Protection
- Over-Current Protection
- Over-Temperature Protection
- Open Design Files and BOM

ORDERING INFORMATION

Part Number	Input Voltage (V)	Output Voltage (V)	Output Current (A)
MEZD72401A-X	A - F: 4.5 - 36	1, 1.2, 1.5, 1.8, 2.5, 3.3, 5, 12	1
	G: 6.5 - 36		

Output Voltage Options			
A = 1.0V	B = 1.2V	C = 1.5V	D = 1.8V
E = 2.5V	F = 3.3V	G = 5.0V	H = 12V

mEZD724xx FAMILY PRODUCTS

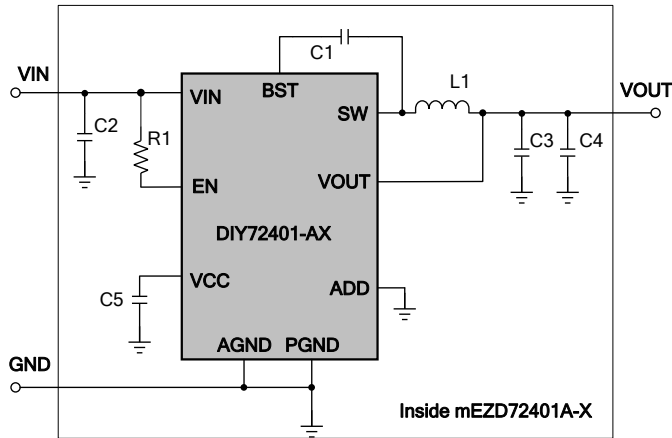
Part Number	Input Voltage (V)	Output Voltage (V)	Output Current (A)
mEZD72401A-X	4.5-36	1,1.2,1.5,1.8, 2.5,3.3,5, 12	1
mEZD72402A-X	4.5-36	1,1.2,1.5,1.8, 2.5,3.3,5	2

ELECTRICAL CHARACTERISTICS

Input Voltage Range	V_{IN_MIN} higher than V_{OUT} by 1V	4.5 or 6.5 to 36V
Output Voltage Set Accuracy		$\pm 2.5\%$ (Typ.)
Output Voltage Ripple	$V_{IN}=24V$, $V_{OUT}=3.3V$, Full Load	20mV
Line Regulation	V_{IN} from MIN to MAX, $V_{OUT}=3.3V$	$\pm 1\%$ (Typ.)
Load Regulation	I_{OUT} from MIN to MAX, $V_{OUT}=3.3V$	$\pm 1\%$ (Typ.)
Switching Frequency	Typical Switching Frequency	400kHz
Short-Circuit Protection	Short Output to Ground	Hiccup Mode
Operating Temperature Range		-40 to 85°C
Over-Temperature Protection	OTP	150°C
Rise Time	V_{OUT} from 0% to 90%	0.75ms (Typ.)
Calculated MTBF	MIL-HDBK-217F	4185x10 ³ hrs

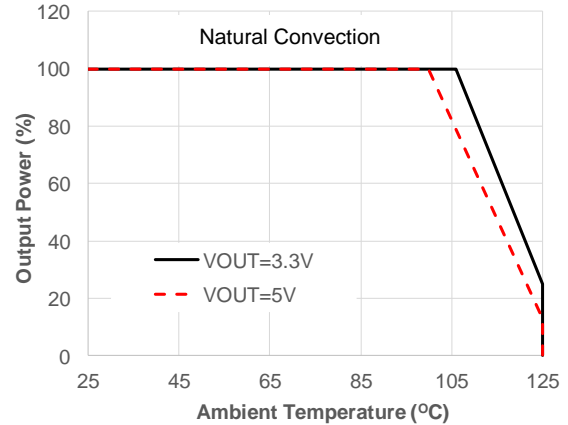
NOTE: All electrical characteristics are tested under 25°C ambient temperature, $V_{IN}=24V$ unless otherwise noted.

DO-IT-YOURSELF SCHEMATIC



POWER DERATING

$V_{IN}=24V$, $V_{OUT}=3.3V$ and $5V$

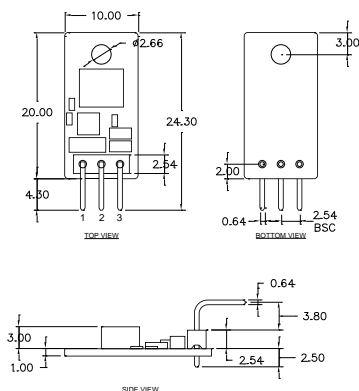


BILL OF MATERIALS

Item	Qty	RefDes	Value	Description	Package	Manufacturer	Manufacturer P/N
1	1	C1	0.22 μ F	Ceramic Cap., 16V, X5R	0402	muRata	GRM155R61C224KA12D
2	1	C2	4.7 μ F	Ceramic Cap., 50V, X7R	1206	muRata	GRM31CR71H475KA12L
3	2	C3, C4	22 μ F	Ceramic Cap., 10V, X7T/X5R	0805	muRata	GRM21BD71A226ME44L/ GRM21BR61A226ME51L
4	1	C5	1 μ F	Ceramic Cap., 10V, X5R	0402	muRata	GRM155R61A105KE01D
5	1	L1*	10 μ H	Indc 2.3A, DCR 96m Ohm	5.5x5.2mm	Panasonics	ETQP3M100KVP
6	1	R1	499k Ω	Film Res., 5s%	0402	Yageo	RC0402JR-07499KL
7	1	P1	3-Pin	3-Pin Male Connector, Right Angle	Bulk	MYIC	MPS010SRRA-3
8	1	U1		Synchronous Step-Down Converter	QFN-16	MPS	DIY72401-AX**

* Or equivalent. ** -X Output voltage options (A: 1.0V, B: 1.2V, C: 1.5V, D: 1.8V, E: 2.5V, F: 3.3V, G: 5.0V, H: 12V)

PRODUCT PACKAGE AND DIMENSIONS



Pin	Designation	Function
1	VIN	Input Voltage
2	GND	Power Ground
3	VOUT	Output Voltage

NOTE:

Contact factory for different sizes of the boards (Quantity>2k).

For more information, Gerber files, and PCB layout, please contact mEZsupport@monolithicpower.com

X-ON Electronics

Largest Supplier of Electrical and Electronic Components

Click to view similar products for [Non-Isolated DC/DC Converters](#) category:

Click to view products by [Monolithic Power Systems](#) manufacturer:

Other Similar products are found below :

[PSR152.5-7IR](#) [APTH003A0X-SRZ](#) [SPM1004-3V3C](#) [R-785.0-05](#) [10E24-P15-10PPM](#) [1E24-P4-25PPM-SHV-5KV](#) [PROPOWER-3.3V](#)
[MYGTM01210BZN](#) [JRCS016A0S4-HZ](#) [40C24-N250-I5-H](#) [10C24-N250-I10-AQ-DA](#) [4AA24-P20-M-H](#) [3V12-N0.8](#) [3V24-P1](#) [3V24-N1](#)
[BMR4672010/001](#) [BMR4652010/001](#) [T31SN12008NMFA](#) [6AA24-P30-I5-M](#) [6AA24-N30-I5-M](#) [BM2P101X-Z](#) [ROF-78E12-0.5SMD-R](#)
[RPMA5.0-8.0/OF](#) [PTV03010WAD](#) [PTV05020WAH](#) [PTV12010LAH](#) [PTV12020WAD](#) [R-7212D](#) [R-7212P](#) [R-78AA5.0-1.0SMD](#) [30A24-](#)
[N15-E](#) [10A12-P4-M](#) [10C24-N250-I5](#) [10C24-P125](#) [10C24-P250-I5](#) [6A24-P20-I10-F-M-25PPM](#) [1A24-P30-F-M-C](#) [TSR 1-24150SM](#)
[1/2AA24-N30-I10](#) [1C24-N125](#) [12C24-N250](#) [V7806-1500](#) [PTV12020LAH](#) [PTV05010WAH](#) [PTN04050CAZT](#) [PTH12020WAD](#)
[PTH12020LAS](#) [PTH05T210WAH](#) [PTH05030WAZ](#) [V7803-2000R](#)