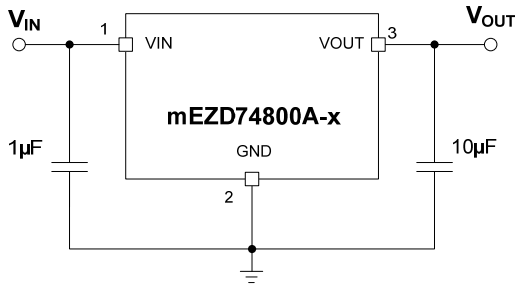


mEZ Product Options:

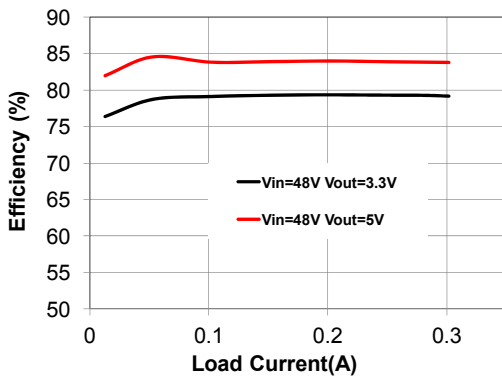
1. Ready-to-Use products
 2. Do-It-Yourself.
- Manufacture assistance is provided



Typical Application Circuit

Efficiency vs. Load Current

$V_{IN}=48V$, $V_{OUT}=3.3V$ and $5V$



NOTE: All electrical characteristics are tested under 25°C ambient temperature, $V_{IN}=48V$ unless otherwise noted.

FEATURES

- 4.5V to 75V Wide Operating Input
- 0.3A Load Current
- Hiccup Short-Circuit Protection
- Over-/Under-Voltage Protection
- Over-Current Protection
- Over-Temperature Protection
- Open Design Files and BOM
- Meets EN55022 Class B Emissions

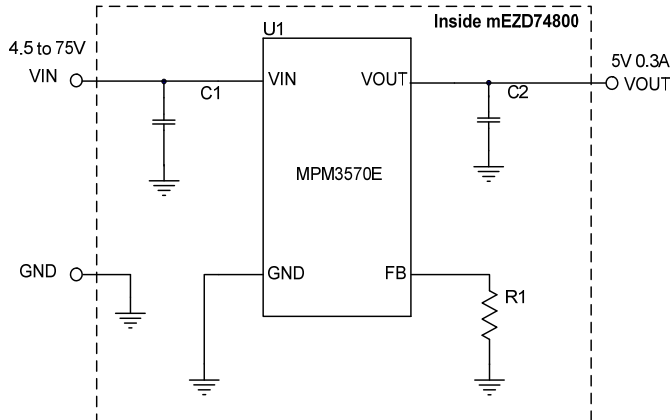
ORDERING INFORMATION

Part Number	Input Voltage (V)	Output Voltage (V)	Output Current (A)
mEZD74800A-A	4.5 - 75	3.3	0.3
mEZD74800A-B	4.5 - 75	5	0.3

ELECTRICAL CHARACTERISTICS

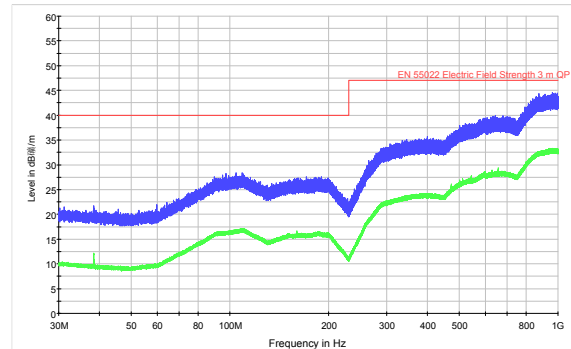
Input Voltage Range	V_{IN_MIN} higher than V_{OUT} by 1V	4.5 to 75V
Output Voltage Set Accuracy		±1.7% (Typ.)
Output Voltage Ripple	$V_{IN}=48V$, $V_{OUT}=3.3V$, Full Load	44mV
Line Regulation	V_{IN} from MIN to MAX, $V_{OUT}=3.3V$	±0.5% (Typ.)
Load Regulation	I_{OUT} from MIN to MAX, $V_{OUT}=3.3V$	±1% (Typ.)
Switching Frequency	$V_{OUT}=3.3V$	140kHz
	$V_{OUT}=5V$	165kHz
Short-Circuit Protection	Short Output to Ground	Hiccup Mode
Operating Temperature Range		-40 to 85°C
Over-Temperature Protection	OTP	175°C
Rise Time	V_{OUT} from 0% to 90%	1.54ms (Typ.)
Calculated MTBF	MIL-HDBK-217F	4185x10 ³ hrs

DO-IT-YOURSELF SCHEMATIC



RADIATED EMISSIONS

(EN55022 Class B)
24V_{IN}, 5V_{OUT} @ 0.3A

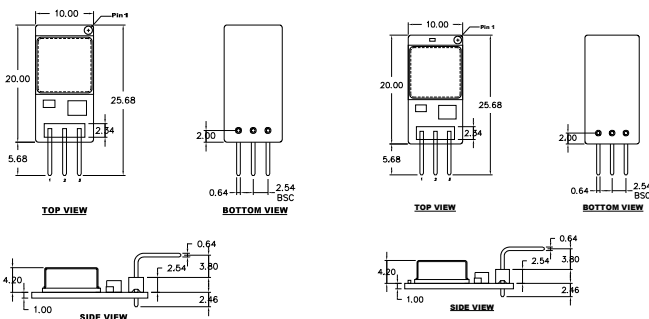


BILL OF MATERIALS

Item	Qty	RefDes	Value	Description	Package	Manufacturer	Manufacturer P/N
1	1	C1	4.7µF	Ceramic Cap., 100V, X7S	1210	muRata	GRM32DC72A475KE01L/ C3225X7S2A475M200AB
2	1	C2	22µF	Ceramic Cap., 10V, X7T	0805	muRata	GRM21BD71A226ME44L/ GRM21BR61A226ME51L
3	1	R1	698kΩ	Film Res., 0.5%	0402	Yageo	RC0402DR-07698KL
4	1	U1	MPM3570E	Synchronous Step-Down Module	LGA10X10	MPS	MPM3570EGLD-Z
5	1	P1	3-pin	3-pin male connector, right angle	Bulk	MYIC	MPS010SRRA-3
6	1	PCB		PCB	10x20mm		mEZD74800A-B

*R1=698kΩ is for 5V output only, R1=NS in 3V3 output version.

PRODUCT PACKAGE AND DIMENSIONS



mEZD74800A-A

mEZD74800A-B

Pin	Designation	Function
1	VIN	Input Voltage
2	GND	Power Ground
3	VOUT	Output Voltage

NOTE:

Contact factory for different sizes of the boards (Quantity>2k).

For more information, Gerber files, and PCB layout, please contact mEZsupport@monolithicpower.com

X-ON Electronics

Largest Supplier of Electrical and Electronic Components

Click to view similar products for [Non-Isolated DC/DC Converters](#) category:

Click to view products by [Monolithic Power Systems](#) manufacturer:

Other Similar products are found below :

[PSR152.5-7IR](#) [APTH003A0X-SRZ](#) [SPM1004-3V3C](#) [R-785.0-05](#) [10E24-P15-10PPM](#) [1E24-P4-25PPM-SHV-5KV](#) [PROPOWER-3.3V](#)
[MYGTM01210BZN](#) [JRCS016A0S4-HZ](#) [40C24-N250-I5-H](#) [10C24-N250-I10-AQ-DA](#) [4AA24-P20-M-H](#) [3V12-N0.8](#) [3V24-P1](#) [3V24-N1](#)
[BMR4672010/001](#) [BMR4652010/001](#) [6AA24-P30-I5-M](#) [6AA24-N30-I5-M](#) [BM2P101X-Z](#) [ROF-78E12-0.5SMD-R](#) [RPMA5.0-8.0/OF](#)
[PTV03010WAD](#) [PTV05020WAH](#) [PTV12010LAH](#) [PTV12020WAD](#) [R-7212D](#) [R-7212P](#) [R-78AA5.0-1.0SMD](#) [30A24-N15-E](#) [10A12-P4-M](#)
[10C24-N250-I5](#) [10C24-P125](#) [10C24-P250-I5](#) [6A24-P20-I10-F-M-25PPM](#) [1A24-P30-F-M-C](#) [TSR 1-24150SM](#) [1/2AA24-N30-I10](#) [1C24-N125](#)
[12C24-N250](#) [V7806-1500](#) [PTV12020LAH](#) [PTV05010WAH](#) [PTN04050CAZT](#) [PTH12020WAD](#) [PTH12020LAS](#) [PTH05050YAH](#)
[PTH05T210WAH](#) [PTH05030WAZ](#) [V7803-2000R](#)