



mEZ Product Options:

1. Ready-to-Use products
 2. Do-It-Yourself.
- Manufacture assistance is provided

FEATURES

- 7V to 36V Wide Operating Input
- 2.5A Load Current
- 5V Output Voltage
- Open Design Files and BOM
- Over-Current Protection
- Over-Temperature Protection
- Line Drop Compensation
- DCP for BC1.2, Divider Mode, and 1.2V/1.2V Mode

ORDERING INFORMATION

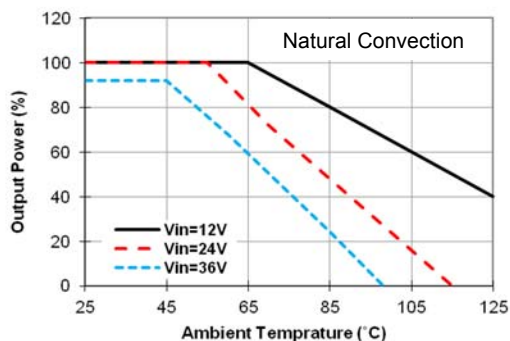
Part Number	Input Voltage (V)	Output Voltage (V)	Output Current (A)	Efficiency
MEZS91202A	7 - 36	5	2.5	Up to 95%

ELECTRICAL CHARACTERISTICS

Input Voltage Range	V_{IN} Continuous	7V to 36V
Output Voltage Set Accuracy		±4% (Typ.)
Output Voltage Ripple	$V_{IN} = 12V$, Full Load	13mV
Line Regulation	$V_{IN} = 24V$	±0.5% (Typ.)
Line Drop Compensation	Full Load	93%
Efficiency	$V_{IN} = 12V$, Full Load	93%
Switching Frequency	Typical Switching Frequency	350kHz
Short-Circuit Protection	Short Output to Ground	Hiccup Mode
Operating Temperature Range		-40 to 85°C
Over-Temperature Protection	OTP	165°C
Rise Time	From 10% V_{OUT} to 90% V_{OUT}	1.6ms (Typ.)
Calculated MTBF	MIL-HDBK-217F	4185x10 ³ hrs

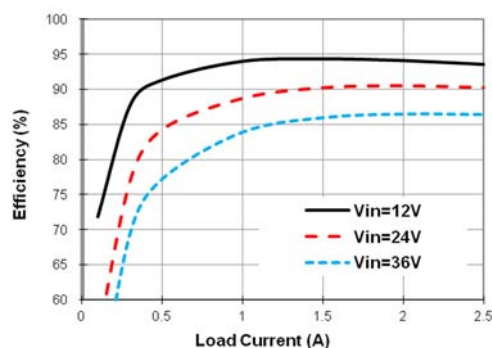
Power Derating

$V_{IN} = 12V, 24V, \text{ and } 36V, V_{OUT} = 5V$



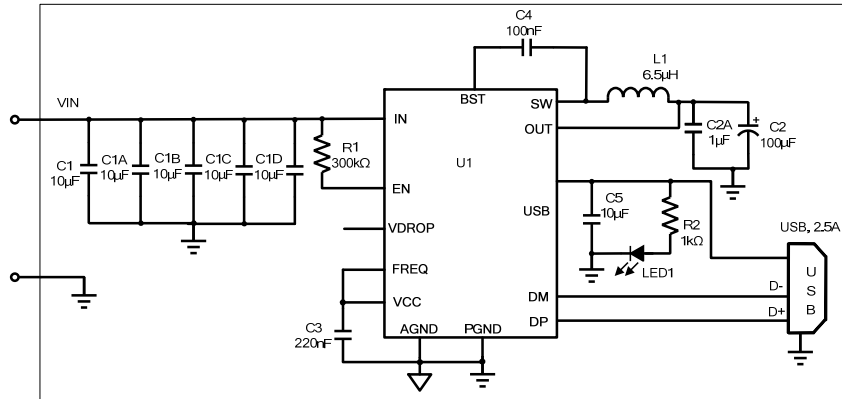
Efficiency vs. Load Current

$V_{IN} = 12V, 24V, \text{ and } 36V, V_{OUT} = 5V$



NOTE: All electrical characteristics are tested under 25°C ambient temperature, $V_{IN} = 12V$ unless otherwise noted.

DO-IT-YOURSELF SCHEMATIC

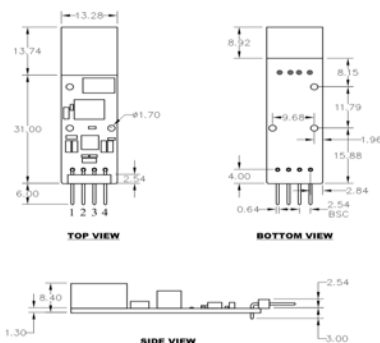


BILL OF MATERIALS

Item	Qty	RefDes	Value	Description	Package	Manufacturer	Manufacturer P/N
1	5	C1, C1A, C1B, C1C, C1D	10µF	Ceramic Cap., 35V, X5R	0805	Murata	GRM21BR6YA106KE43L
2	1	C2	100µF	POSCAP, 6.3V, 15mΩ ESR	SMD, 7.3x4.3mm	Murata	ECASD40J107M015K00
3	1	C2A	1µF	Ceramic Cap., 10V, X5R	0402	Würth	885012105012
4	1	C3	0.22µF	Ceramic Cap., 16V, X5R	0402	Würth	885012105017
5	1	C4	0.1µF	Ceramic Cap., 10V, X7R	0402	Würth	885012205018
6	1	C5	10µF	Ceramic Cap., 6.3V, X5R	0603	Würth	885012106006
7	1	R1	300kΩ	Item	0603	Yageo	RC0603FR-07300KL
8	1	R2	1kΩ	Film Resistor, 1%	0402	Yageo	RC0402FR-071KL
9	1	LED	LED	LED, Green	0805	Kingbright	APHBM2012CGKSYKC
10	1	L1*	6.5µH	Inductor, DCR = 21.5mΩ, Isat = 6A	SMD, 7.0x6.9mm	Würth	744 314 650
11	1	USB	USB	Single USB Port	Tray	Würth	61400416021
12	1	Connector	4-Pin	2.54mm Pitch		Würth	613 004 110 21
13	1	U1	MP2496M	Step-Down Converter	QFN-26 (4mmx4mm)	MPS	MP2496MGR

* Or equivalent

PRODUCT PACKAGE AND DIMENSIONS



Pin Designation Function

Pin	Designation	Function
1	VIN	Input Voltage
2	VIN	Input Voltage
3	GND	Power Ground
4	GND	Power Ground

NOTE:

Contact factory for different sizes of the boards (Quantity >2k).

For more information, Gerber files, and PCB layout, please contact mEZsupport@monolithicpower.com

X-ON Electronics

Largest Supplier of Electrical and Electronic Components

Click to view similar products for [Non-Isolated DC/DC Converters](#) category:

Click to view products by [Monolithic Power Systems](#) manufacturer:

Other Similar products are found below :

[PSR152.5-7IR](#) [APTH003A0X-SRZ](#) [SPM1004-3V3C](#) [R-785.0-05](#) [10E24-P15-10PPM](#) [1E24-P4-25PPM-SHV-5KV](#) [PROPOWER-3.3V](#)
[MYGTM01210BZN](#) [JRCS016A0S4-HZ](#) [40C24-N250-I5-H](#) [10C24-N250-I10-AQ-DA](#) [4AA24-P20-M-H](#) [3V12-N0.8](#) [3V24-P1](#) [3V24-N1](#)
[BMR4672010/001](#) [BMR4652010/001](#) [T31SN12008NMFA](#) [6AA24-P30-I5-M](#) [6AA24-N30-I5-M](#) [BM2P101X-Z](#) [ROF-78E12-0.5SMD-R](#)
[RPMA5.0-8.0/OF](#) [PTV03010WAD](#) [PTV05020WAH](#) [PTV12010LAH](#) [PTV12020WAD](#) [R-7212D](#) [R-7212P](#) [R-78AA5.0-1.0SMD](#) [30A24-](#)
[N15-E](#) [10A12-P4-M](#) [10C24-N250-I5](#) [10C24-P125](#) [10C24-P250-I5](#) [6A24-P20-I10-F-M-25PPM](#) [1A24-P30-F-M-C](#) [TSR 1-24150SM](#)
[1/2AA24-N30-I10](#) [1C24-N125](#) [12C24-N250](#) [V7806-1500](#) [PTV12020LAH](#) [PTV05010WAH](#) [PTN04050CAZT](#) [PTH12020WAD](#)
[PTH12020LAS](#) [PTH05050YAH](#) [PTH05T210WAH](#) [PTH05030WAZ](#)