



MPM3695-25

16V, 20A, Scalable DC/DC Power Module with PMBus

DESCRIPTION

The MPM3695-25 is a scalable, fully integrated power module with a PMBus interface. The MPM3695-25 offers a complete power solution that achieves up to 25A of peak output current with excellent load and line regulation over a wide input voltage range. It operates with high efficiency over a wide load range and can be paralleled to deliver a higher load current.

The MPM3695-25 adopts MPS's proprietary, multi-phase constant-on-time (MCOT) control, which provides ultra-fast transient response and simple loop compensation. The PMBus interface provides module configurations and monitoring of key parameters.

The MPM3695-25 features full protection features, including over-current protection (OCP), over-voltage protection (OVP), under-voltage protection (UVP), and over-temperature protection (OTP). It requires a minimal number of readily available external components and is available in a QFN-59 (10mmx12mmx4mm) package.

FEATURES

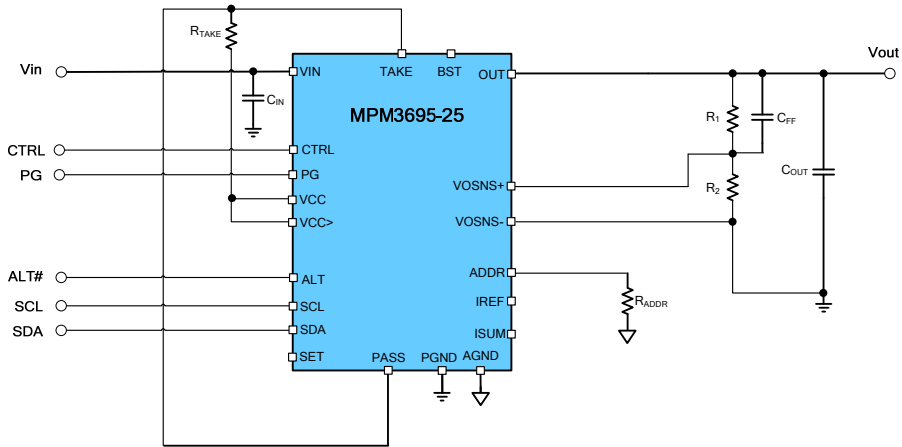
- Wide Input Voltage Range from 3V
 - 3V-16V Input Voltage with External V_{CC}
 - 4V-16V Input Voltage with Internal V_{CC}
- 0.5V to 5.5V Output Voltage Range
- 20A Continuous Output Current, Peak 25A
- Auto Interleaving for Multi-Phase Operation
- Auto Compensation with Adaptive MCOT for Ultra-Fast Transient Response
- 1% Reference Voltage Over 0°C to +70°C Junction Temperature Range
- True Remote Sense of Output Voltage
- PMBus 1.3 Compliant
- Telemetry Read-Back Including V_{IN} , V_{OUT} , I_{OUT} , Temperature, and Faults
- Programmable via PMBus
 - Current Limit
 - Selection of Pulse-Skip Mode or Continuous Conduction Mode (CCM)
 - Soft-Start Time
 - Switching Frequency
 - Fault Limits
- Available in a QFN-59 (10mmx12mmx4mm) Package

APPLICATIONS

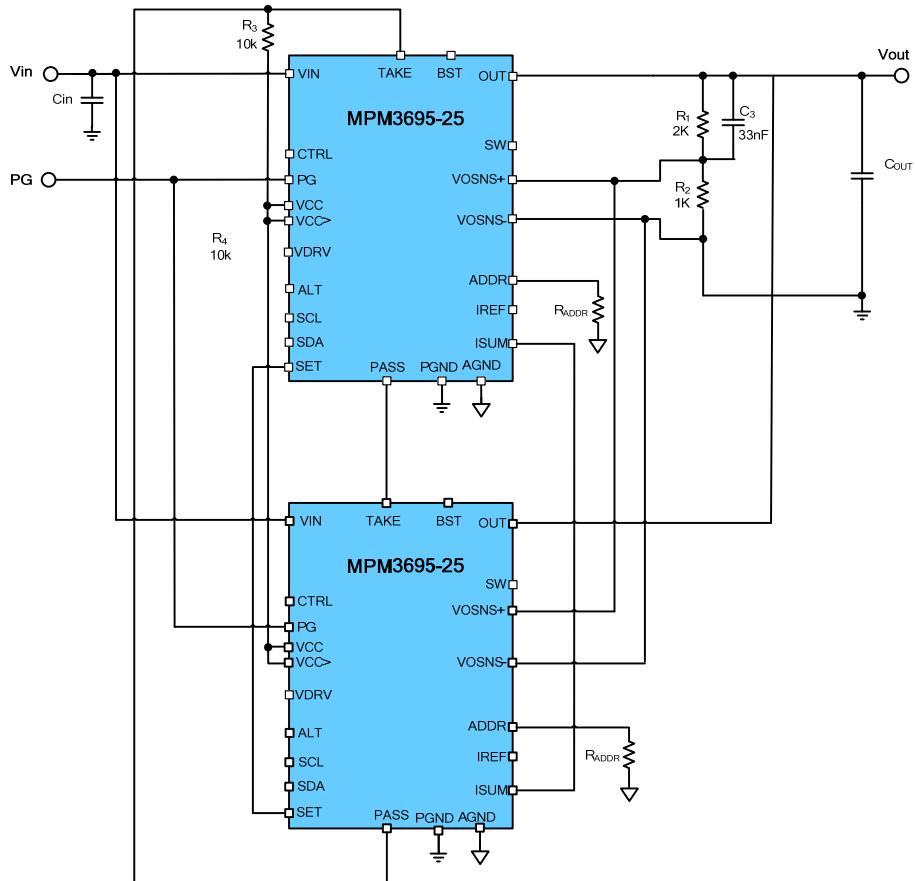
- Telecom and Networking Systems
- Industrial Equipment
- Servers and Computing
- FPGAs/ASIC AI and Data Mining

All MPS parts are lead-free, halogen-free, and adhere to the RoHS directive. For MPS green status, please visit the MPS website under Quality Assurance. "MPS" and "The Future of Analog IC Technology" are registered trademarks of Monolithic Power Systems, Inc.

TYPICAL APPLICATION



Single Phase Operation



Dual Phase Operation

ORDERING INFORMATION

Part Number	Package	Top Marking
MPM3695GRF-25-xxxx*	QFN-59 (10mmx12mmx4mm)	See Below
EVKT-MPM3695-25-A	\	\

* -xxxx is the configuration code identifier for the register settings stored in the MTP memory. Each “x” can be a hexadecimal value between 0 and F. The part number with default register setting is MPM3695GRF-25-0022. Please contact MPS to create a unique configuration identifier for customized design.

TOP MARKING

MPSYYWW
MP3695
LLLLLLLLL
25M

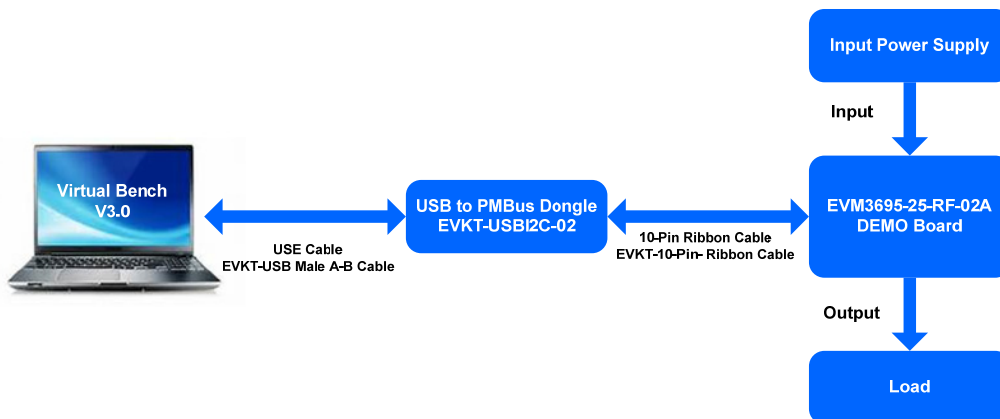
MPS: MPS prefix
 YY: Year code
 WW: Week code
 MP3695: Part number
 LLLLLLLLL: Lot number
 25: Suffix of part number
 M: Module

EVALUATION KIT EVKT-MPM3695-25-A

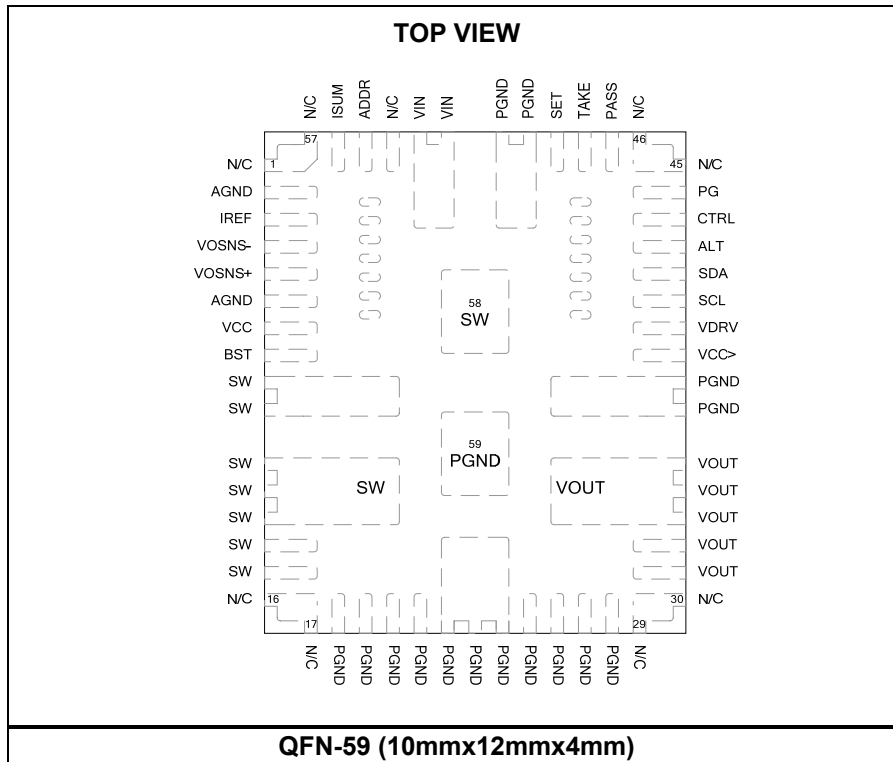
EVKT-MPM3695-25-A Kit Contents: (Items can be ordered separately).

#	Part Number	Item	Quantity
1	EVM3695-25-RF-02A	MPM3695-25 Single Phase Evaluation Board	1
2	MPM3695GRF-25-0022	1pcs MPM3695-25 Module	1
3	EVKT-USBI2C-02*	Includes One USB to I2C Dongle, One USB Cable, and One Ribbon Cable	1

Order Directly from MonolithicPower.com or MPS distributors



PACKAGE REFERENCE



PIN FUNCTIONS

PIN #	Name	Description
2,6	AGND	Analog ground. Reference point of the control circuit.
3	IREF	Current reference output. Keep this pin floating.
4	VOSNS-	Output voltage sense negative return. Connect directly to the GND sense point of the load. Short to GND if remote sense is not used.
5	VOSNS+	Output voltage sense positive return. Connect this pin to the positive sense point of the output voltage to provide feedback voltage to the system.
7	VCC	Output of the internal 3.3V LDO. The driver and control circuits are powered by this voltage. Must be connected to Pin 38.
8	BST	Bootstrap. Keep this pin floating.
9-15, 58	SW	Switch node. Keep them floating.
31-35	VOUT	Module output voltage node. Connect with wide PCB copper plane.
18-28, 36, 37, 50, 51, 59	PGND	Power ground. This pin is the reference point of the regulated output voltage. Connect with PCB copper planes as wide as possible.
38	VCC>	Input of driver circuit. Must be connected to Pin 7.
39	VDRV	Decoupling pin for 3.3V driver power supply.
40	SCL	PMBus serial clock.
41	SDA	PMBus serial data.
42	ALT	PMBus alert. Open drain output, active low. A pull-up resistor must be connected to a 3.3V rail.
43	CTRL	Converter control. CTRL is a digital input that turns the regulator on or off. Drive CTRL high to turn the regulator on, drive it low to turn it off. Do not float this pin.
44	PG	Multi-purpose power good output. This pin can be configured as an output pin for single-phase operation or an input and output pin for multi-phase configuration. A pull-up resistor connected to a DC voltage is required to indicate high if the output voltage is higher than 90% of the nominal voltage. Refer to the application section for detailed configuration.
47	PASS	Passes RUN signal to the next phase. Refer to the applications section for connection details.
48	TAKE	Receives RUN signal from the previous phase. Refer to the typical applications section for connection details.
49	SET	PWM signal. The set signal turns on the HSFET when a RUN signal appears. For multi-phase operation, tie the SET pins of all the phases together.
52, 53	VIN	Supply voltage. This pin provides power to the module. Decoupling capacitors are required to be connected between VIN and GND. Connect VIN with a wide copper plane.
55	ADDR	PMBus slave address setting pin. Connect a resistor between this pin to AGND to set the address of this device.
56	ISUM	Reference current output. For single-phase operation, keep this pin floating; for multi-phase operation, connect ISUM pins of all phases together.
1, 16, 17, 29, 30, 45, 46, 54, 57	NC	No Internal Connection.

ABSOLUTE MAXIMUM RATINGS (1)

Supply voltage (V _{IN})	18V
V _{SW (DC)}	-0.3V to V _{IN} + 0.3V
V _{SW (25ns)} (2)	-3V to 25V
V _{SW (25ns)}	-5V to 25V
V _{OUT}	5.5V
V _{BST}	V _{SW} + 4V
V _{CC}	4.5V
CTRL current (I _{CTRL}).....	2.5mA
All other pins	-0.3V to 4.3V
Continuous power dissipation (T _A = +25°C) (3)	
.....	5W
Junction temperature	170°C
Lead temperature.....	260°C
Storage temperature.....	-65°C to +170°C

Recommended Operating Conditions (4)

Supply voltage (V _{IN})	4V to 16V
Output voltage (V _{OUT}).....	0.5V to 5.5V
External V _{CC} bias	3.12V to 3.6V
CTRL current (I _{CTRL}).....	1mA
Operating junction temp. (T _J)....	-40°C to +125°C

Thermal Resistance (5)	θ_{JA}	θ_{JB}	
QFN-59 (10x12x4mm).....	17	3.4	°C/W

NOTES:

- 1) Exceeding these ratings may damage the device.
- 2) Measured by using differential oscilloscope probe.
- 3) The maximum allowable power dissipation is a function of the maximum junction temperature T_J (MAX), the junction-to-ambient thermal resistance θ_{JA}, and the ambient temperature T_A. The maximum allowable continuous power dissipation at any ambient temperature is calculated by P_D (MAX) = (T_J (MAX)-T_A)/θ_{JA}. Exceeding the maximum allowable power dissipation produces an excessive die temperature, causing the regulator to go into thermal shutdown. Internal thermal shutdown circuitry protects the device from permanent damage.
- 4) The device is not guaranteed to function outside of its operating conditions.
- 5) Measured on EVM3695-25-RF-02A Demo Board 6-LAYERS PCB.

ELECTRICAL CHARACTERISTICS

$V_{IN} = 12V$, $T_J = -40^{\circ}C$ to $125^{\circ}C$, unless otherwise noted.

Parameters	Symbol	Condition	Min	Typ	Max	Units
V_{IN} Supply Current						
Supply current (shutdown)	I_{IN}	$V_{CTRL} = 0V$		2.5	4	mA
Input Voltage						
Input voltage range	V_{IN}	No external VCC	4		16	V
		With 3.3V External VCC	3		16	
Output Voltage						
Output voltage range ⁽⁶⁾	V_{OUT_RANGE}		0.5		5.5	V
Load regulation ⁽⁶⁾	$V_{OUT_DC_Load}$	I_{OUT} from 0A to 25A		± 0.5		% V_{OUT}
Line regulation ⁽⁶⁾	$V_{OUT_DC_Line}$	V_{IN} from 4V to 16V, $I_{OUT} = 20A$		± 0.5		% V_{OUT}
Current Limit						
Valley current limit	I_{LIM}	Default setting		27		A
Min valley current limit programmable value ⁽⁶⁾				5		A
Max current limit programmable value ⁽⁶⁾				32		A
Low-side negative current limit in OVP	$I_{LIM_NEG_OVP}$			-13		A
CTRL						
CTRL ON threshold	$CTRL_{ON}$			2.04	2.2	V
CTRL OFF threshold	$CTRL_{OFF}$			1.66		V
Frequency and Timer						
Switching frequency	f_{SW}	Default Value		600		kHz
Minimum on time ⁽⁶⁾	T_{ON_MIN}	$F_s = 1000kHz$, $V_o = 0.6V$		50		ns
Minimum off time ⁽⁶⁾	T_{OFF_MIN}	$V_{FB} = 580mV$		220		ns
Output Over-Voltage and Under-Voltage Protection						
OVP threshold	V_{OVP}	Default setting (D4h[1:0] = 00)	111%	115%	119%	V_{REF}
UVP threshold	V_{UVP}	Default setting (D9h[3:2] = 10)	75%	79%	83%	V_{REF}
Max programmable OVP threshold	V_{OVP_max}	D4h[1:0] = 11	126%	130%	134%	V_{REF}
Min programmable OVP threshold	V_{OVP_min}	D4h[1:0] = 00	111%	115%	119%	V_{REF}
Max programmable UVP threshold	V_{UVP_max}	D9h[3:2] = 11	80%	84%	88%	V_{REF}
Min programmable UVP threshold	V_{UVP_min}	D9h[3:2] = 00	65%	69%	73%	V_{REF}

ELECTRICAL CHARACTERISTICS (continued)
 $V_{IN} = 12V$, $T_J = -40^{\circ}C$ to $125^{\circ}C$, unless otherwise noted.

Parameters	Symbol	Condition	Min	Typ	Max	Units
OSM threshold rising	V_{OSM_RISE}			104%		V_{REF}
OSM threshold falling	V_{OSM_FALL}			102%		V_{REF}
ADC⁽⁶⁾						
Voltage range			0		1.28	V
ADC resolution				10		bits
DNL				1		LSB
Sample rate				3		kHz
DAC (Feedback Voltage)						
Range			500	600	672	mV
Feedback accuracy	V_{FB}	$T_J = +25^{\circ}C$	594	600	606	mV
Feedback accuracy	V_{FB}	$T_J = -40^{\circ}C$ to $125^{\circ}C$	591	600	609	mV
Resolution ⁽⁶⁾		Per LSB		2		mV
Feedback voltage with margin high ⁽⁶⁾	$V_{FB_MG_HIGH}$			672		mV
Feedback voltage with margin low ⁽⁶⁾	$V_{FB_MG_LOW}$			500		mV
Soft Start and Turn On/Off Delay						
Soft-start time	t_{SS}			2		ms
Turn-on delay ⁽⁶⁾	t_{ON_DELAY}	Default setting		0		ms
Turn-off delay	t_{OFF_DELAY}	Default setting		0		ms
Error Amplifier						
Feedback Current	I_{FB}	$V_{FB} = V_{REF}$		50	100	nA
Soft Shutdown						
Soft shutdown discharge FET	R_{ON_DISCH}			60		Ω
Under-Voltage Lockout (UVLO)						
VCC under-voltage lockout threshold rising	V_{CCVth}	Default setting	2.6	2.75	2.9	V
VCC under-voltage lockout threshold hysteresis	V_{CCHYS}	Default setting		200		mV
Min input programmable turn-on voltage	$V_{IN_ON_MIN}$	$V_{CC} = 3.3V$		3		V
Max input programmable turn-on voltage	$V_{IN_ON_MAX}$			15		V
Min input programmable turn-off voltage	$V_{IN_OFF_MIN}$	$V_{CC} = 3.3V$		2.75		V
Max input programmable turn-off voltage	$V_{IN_OFF_MAX}$			14.75		V

ELECTRICAL CHARACTERISTICS (continued)
 $V_{IN} = 12V$, $T_J = -40^{\circ}C$ to $125^{\circ}C$, unless otherwise noted.

Parameters	Symbol	Condition	Min	Typ	Max	Units
Power Good						
Power good high threshold	PG_{Vth_Hi}	FB from low to high, default setting (D9h[1:0] = 01)		92.5%		V_{REF}
Power good low threshold	PG_{Vth_Lo}	FB from high to low, default setting (D9h[3:2] = 10)		79%		V_{REF}
Power good low to high delay	PG_{Td}	Default setting (D1h[5:2] = 0000)		2.0		ms
Power good sink current capability	V_{PG}	$I_{PG} = 10mA$			0.3	V
Power good leakage current	I_{PG_LEAK}	$V_{PG} = 3V$		1.5		μA
Power good low-level output voltage	V_{OL_100}	$V_{IN} = 0V$, pull PGOOD up to 3.3V through a 100k Ω resistor, $T_J = 25^{\circ}C$		600	720	mV
	V_{OL_10}	$V_{IN} = 0V$, pull PGOOD up to 3.3V through a 10k Ω resistor, $T_J = 25^{\circ}C$		700	820	
Thermal Protection (TP)						
TP fault rising threshold ⁽⁶⁾	T_{SD_Rise}	Default setting		145		$^{\circ}C$
TP fault falling threshold ⁽⁶⁾	T_{SD_Fall}	Default setting		125		$^{\circ}C$
TP warning rising threshold ⁽⁶⁾	T_{WARN_Rise}	Default setting		130		$^{\circ}C$
TP warning falling threshold ⁽⁶⁾	T_{WARN_Fall}	Default setting		110		$^{\circ}C$
Min TP warning temp ⁽⁶⁾	$T_{SD_WARN_MIN}$			35		$^{\circ}C$
Max TP warning temp ⁽⁶⁾	$T_{SD_WARN_MAX}$			160		$^{\circ}C$
Monitoring Parameters						
Output voltage monitor accuracy	M_{VOUT_ACC}	$V_o = 0.6V$	-2%	0.6	2%	V
Output voltage bit resolution				1.5		mV
Output current monitor accuracy ⁽⁶⁾	M_{IOUT_ACC}	$V_o = 1.2V$, $f_s = 600kHz$, $I_o = 20A$	-10%	20	10%	A
Output current bit resolution ⁽⁶⁾				62.5		mA
Input voltage monitor accuracy	M_{IN_ACC}		-2%	12	2%	V
Input voltage bit resolution ⁽⁷⁾				25		mV

ELECTRICAL CHARACTERISTICS (continued)
 $V_{IN} = 12V$, $T_J = -40^{\circ}C$ to $125^{\circ}C$, unless otherwise noted.

Parameters	Symbol	Condition	Min	Typ	Max	Units
PMBus DC Characteristics (SDA, SCL, ALERT)⁽⁶⁾						
Input high voltage	V_{IH}				2.1	V
Input low voltage	V_{IL}		0.8			V
Output low voltage	V_{OL}	$I_{OL} = 1mA$			0.4	V
Input leakage current	I_{LEAK}	SDA, SCL, ALERT = 3.3V	-10		10	μA
Maximum voltage (SDA, SCL, ALERT, CTRL)	V_{MAX}	Transient voltage including ringing	-0.3	3.3	3.6	V
Pin capacitance on SDA,SCL	C_{PIN}				10	pF
PMBus Timing Characteristics⁽⁷⁾						
Min operating frequency				10		kHz
Max operating frequency				1000		kHz
Bus free time		Between stop and start condition	4.7			μs
Holding time			4.0			μs
Repeated start condition set-up time			4.7			μs
Stop condition set-up time			4.0			μs
Data hold time			300			ns
Data set-up time			250			ns
Clock low time out			25		35	ms
Clock low period			4.7			μs
Clock high period			4.0		50	μs
Clock/data fall time					300	ns
Clock/data rise time					1000	ns

NOTE:

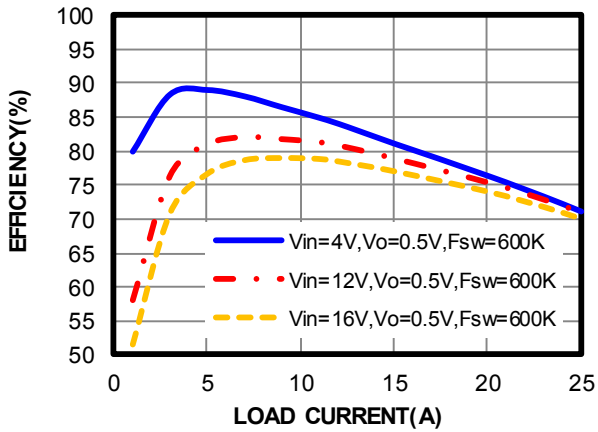
6) Guaranteed by design.

7) Guaranteed by design, not tested in production. The parameter is tested during parameters characterization.

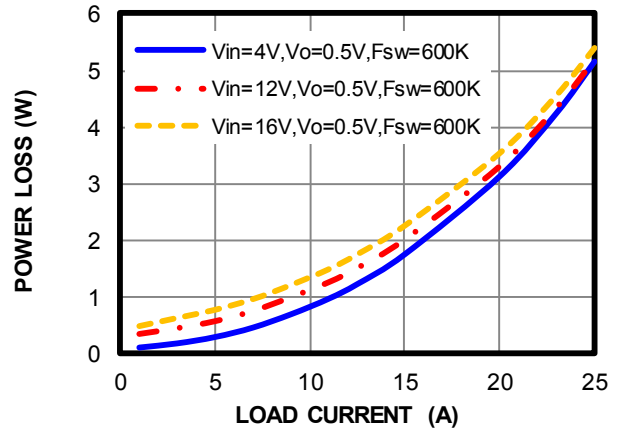
TYPICAL PERFORMANCE CHARACTERISTICS

$V_{IN}=12V$, $V_{OUT}=1.8V$, $F_{SW}=600kHz$, $T_A=+25^{\circ}C$, unless otherwise noted.

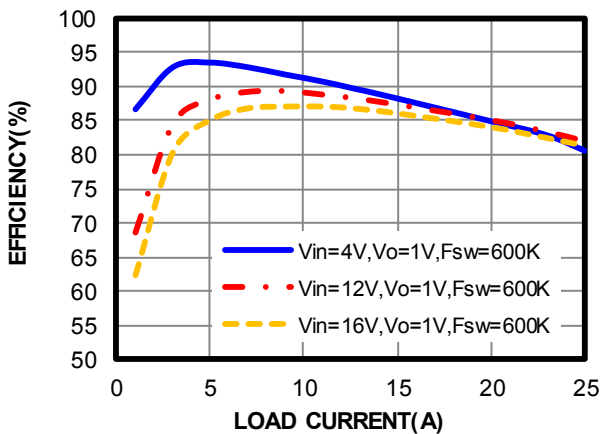
Efficiency vs. Load Current



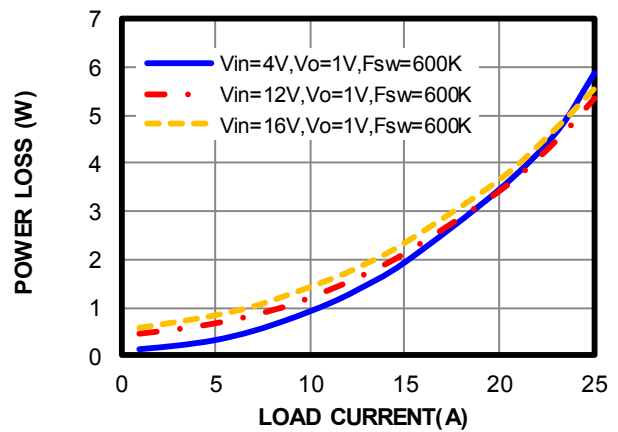
Power Loss vs. Load Current



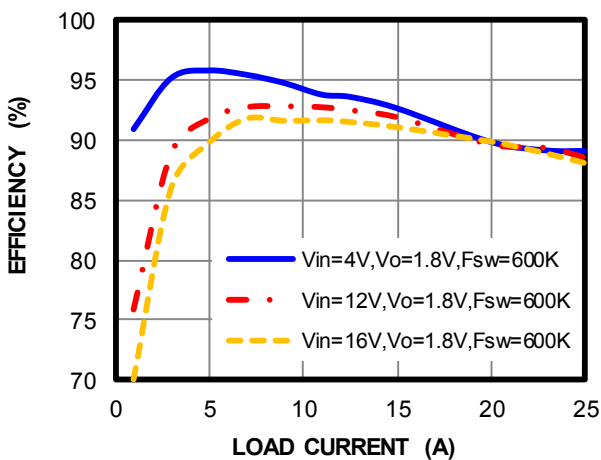
Efficiency vs. Load Current



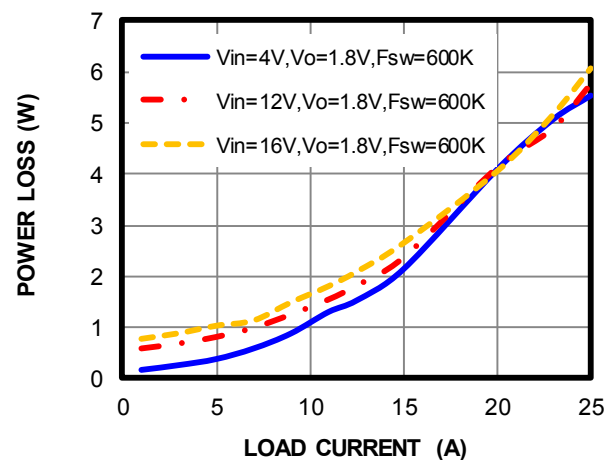
Power Loss vs. Load Current



Efficiency vs. Load Current



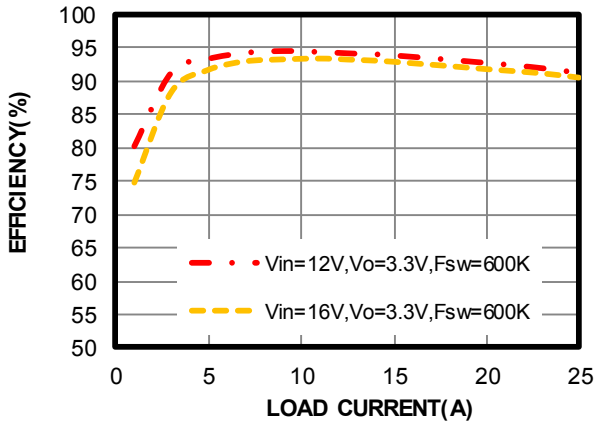
Power Loss vs. Load Current



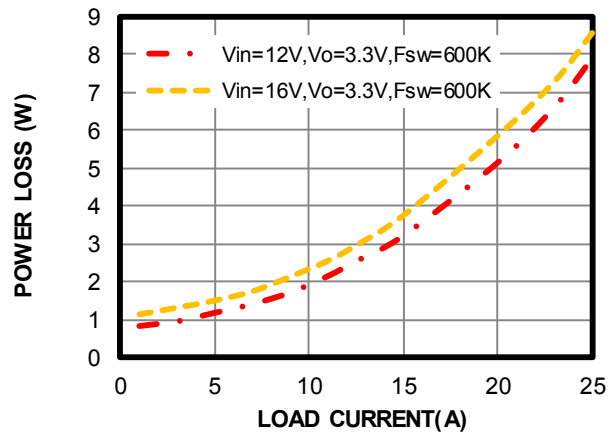
TYPICAL PERFORMANCE CHARACTERISTICS (Continued)

$V_{IN}=12V$, $V_{OUT}=1.8V$, $F_{SW}=600kHz$, $T_A=+25^{\circ}C$, unless otherwise noted.

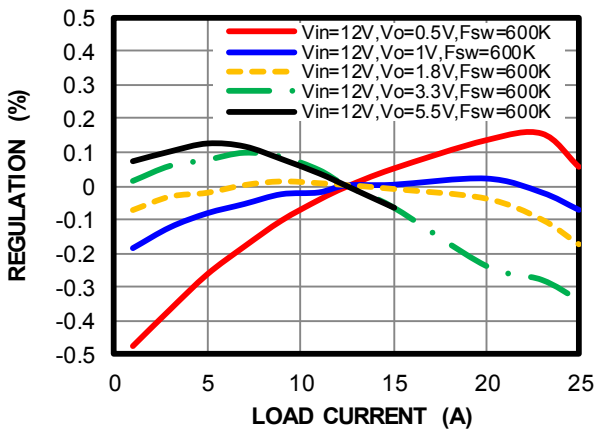
Efficiency vs. Load Current



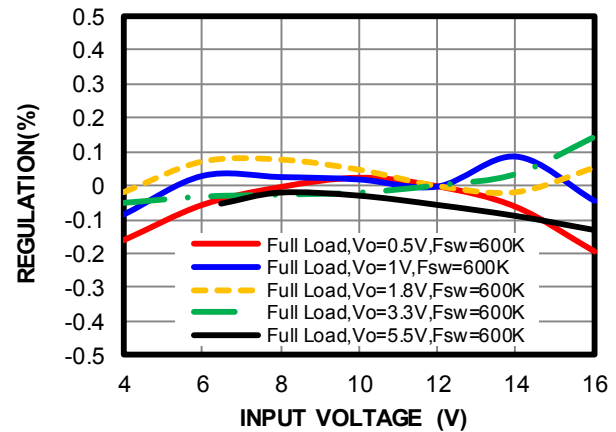
Power Loss vs. Load Current



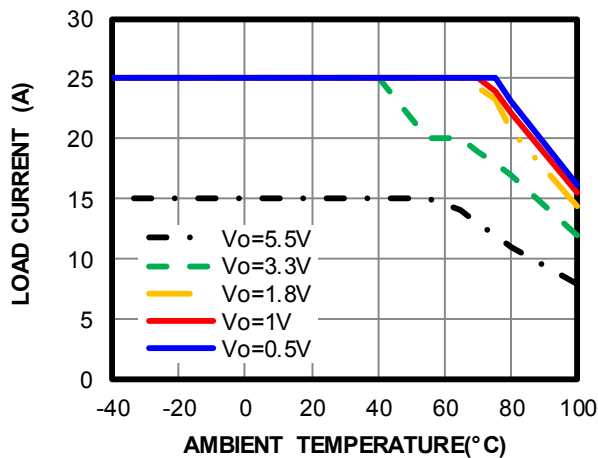
Regulation vs. Load Current



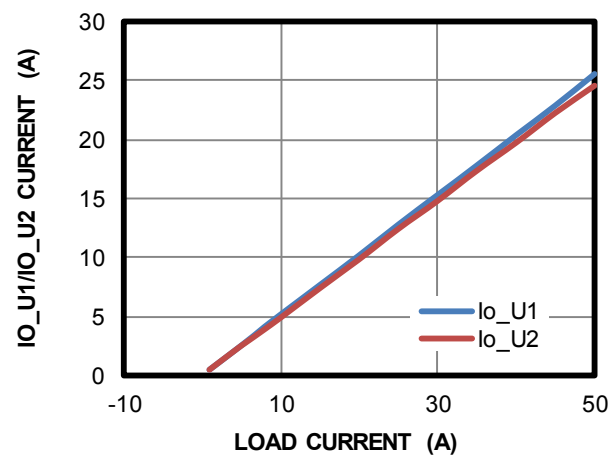
Regulation vs. Input Voltage



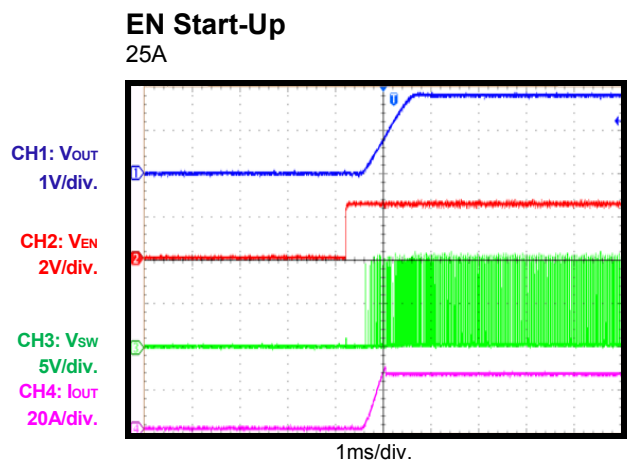
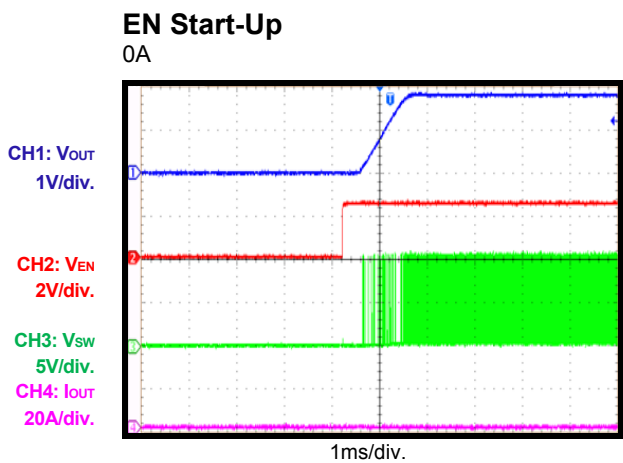
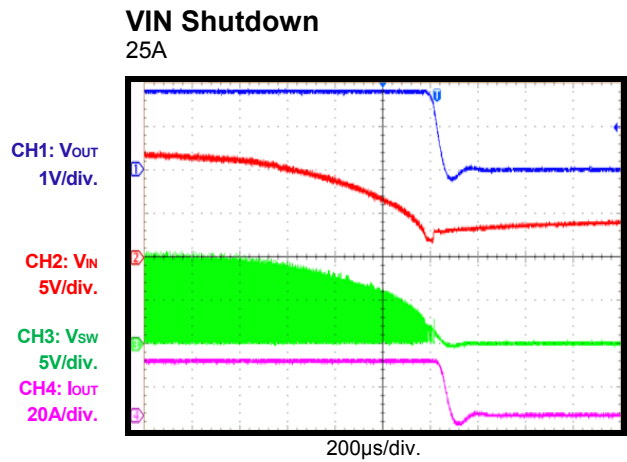
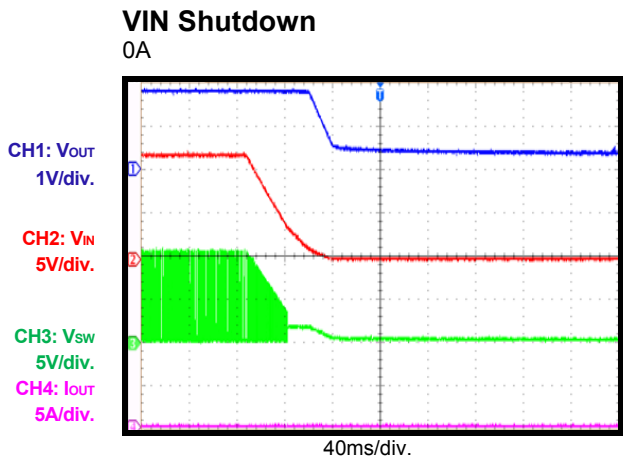
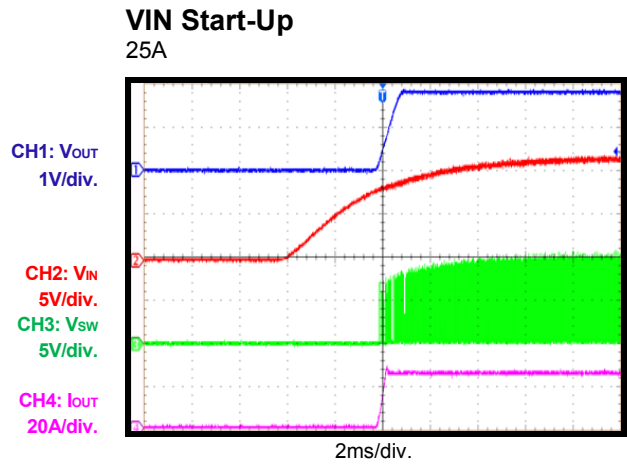
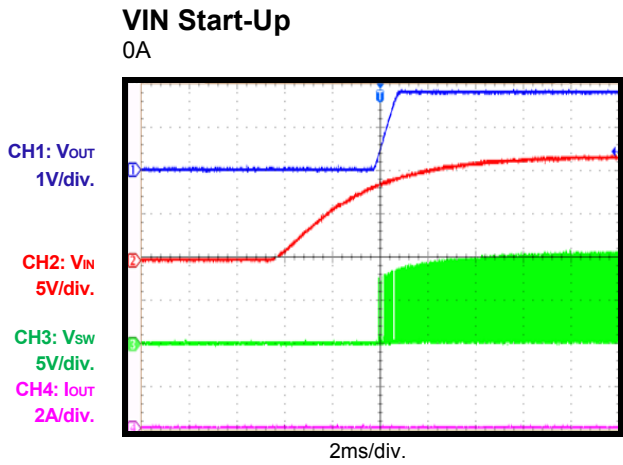
Thermal De-rating vs. Ambient Temp@200LFM Air Flow



Current Sharing

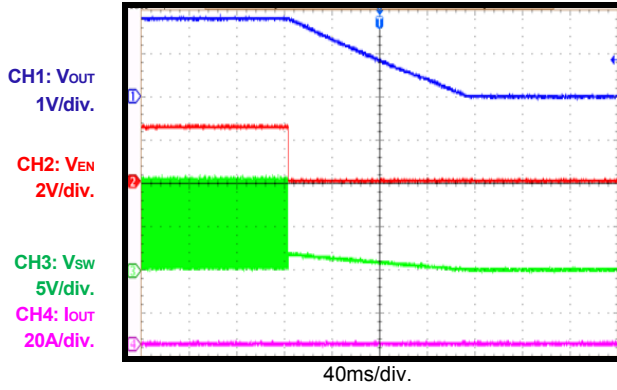
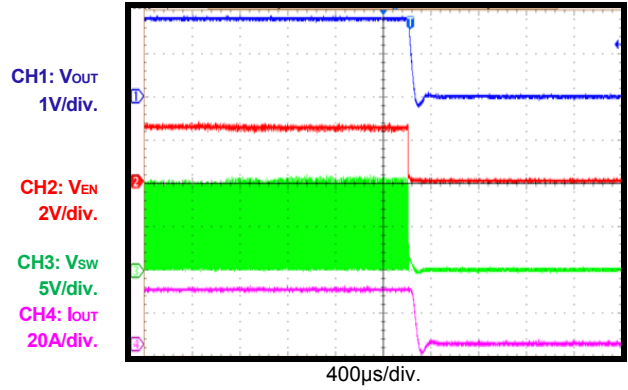
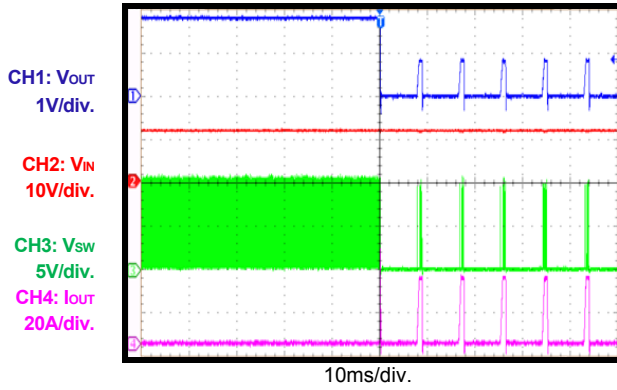
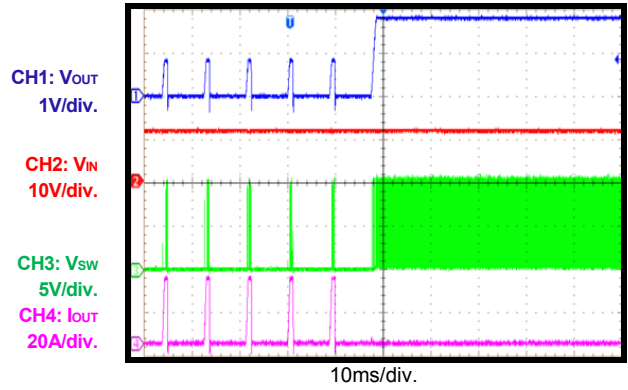
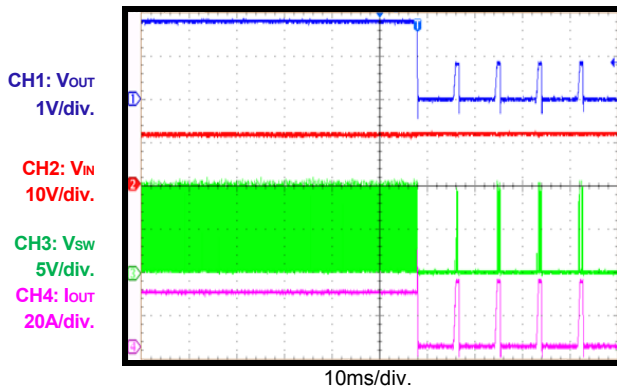
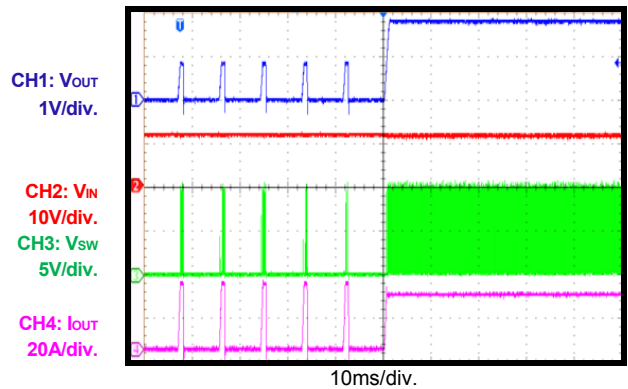


TYPICAL PERFORMANCE CHARACTERISTICS (Continued)

 Single Phase, $V_{IN}=12V$, $V_{OUT}=1.8V$, $F_{SW}=600kHz$, $T_A=+25^{\circ}C$, unless otherwise noted.


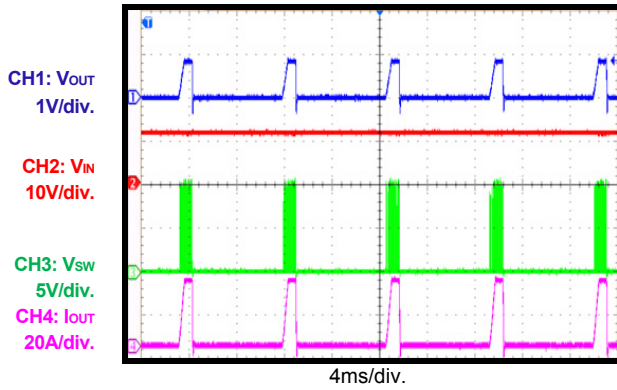
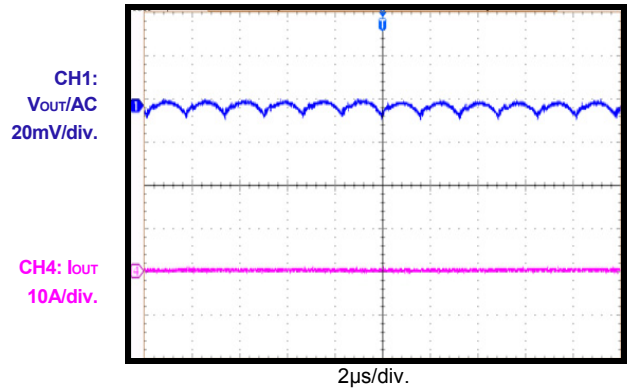
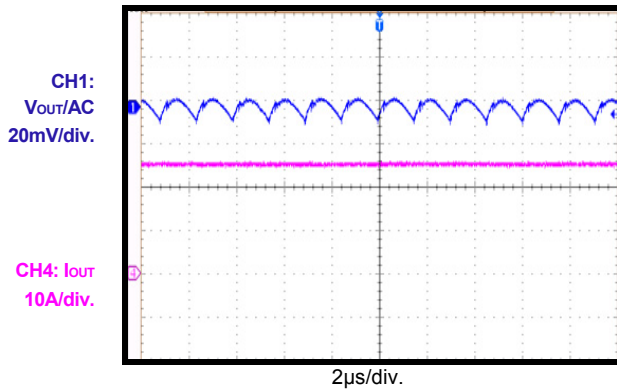
TYPICAL PERFORMANCE CHARACTERISTICS (Continued)

 Single Phase, $V_{IN}=12V$, $V_{OUT}=1.8V$, $F_{SW}=600kHz$, $T_A=+25^{\circ}C$, unless otherwise noted.

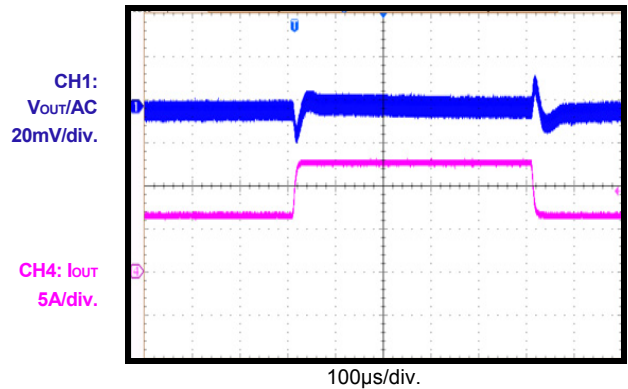
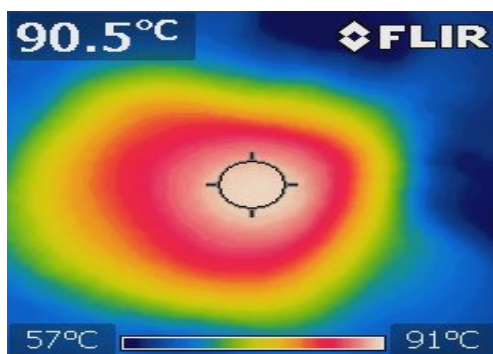
EN Shutdown
 $I_{OUT}=0A$

EN Shutdown
 $I_{OUT}=25A$

SCP Entry
 $I_{OUT}=0A$

SCP Entry
 $I_{OUT}=0A$

SCP Entry
 $I_{OUT}=25A$

SCP Recovery
 $I_{OUT}=25A$


TYPICAL PERFORMANCE CHARACTERISTICS (Continued)

 Single Phase, $V_{IN}=12V$, $V_{OUT}=1.8V$, $F_{SW}=600kHz$, $T_A=+25^{\circ}C$, unless otherwise noted.

SCP State Steady

Ripple
 $I_{OUT}=0A$

Ripple
 $I_{OUT}=25A$

Load Transient

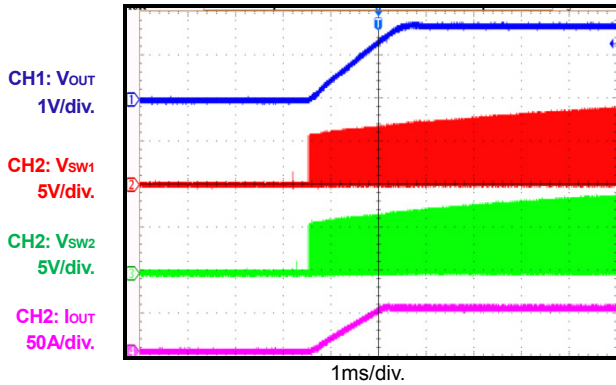
6.25-12.5A, 2.5A/µs


Thermal 12V to 1.8V/20A

TYPICAL PERFORMANCE CHARACTERISTICS (Continued)

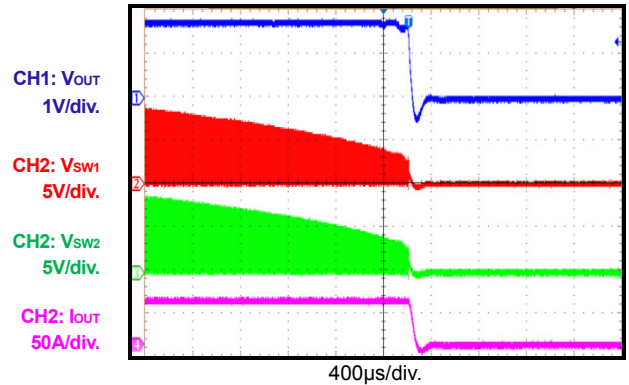
 2 Phase, $V_{IN}=12V$, $V_{OUT}=1.8V$, $F_{SW}=600kHz$, $T_A=+25^{\circ}C$, unless otherwise noted.

PRELIMINARY SPECIFICATIONS SUBJECT TO CHANGE

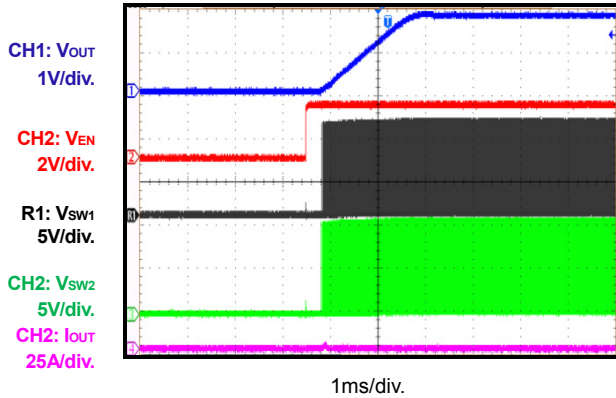
VIN Start Up,
Io=50A



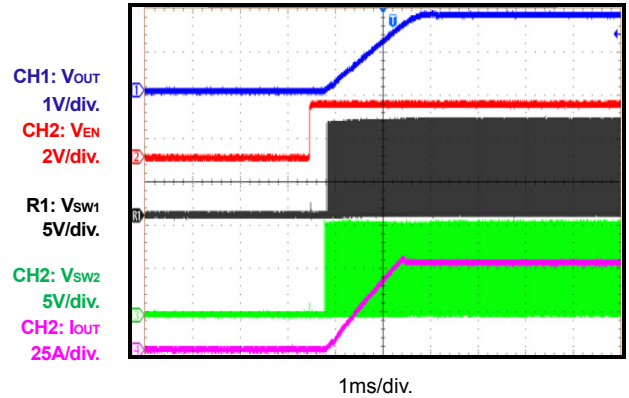
VIN Shutdown,
Io=50A



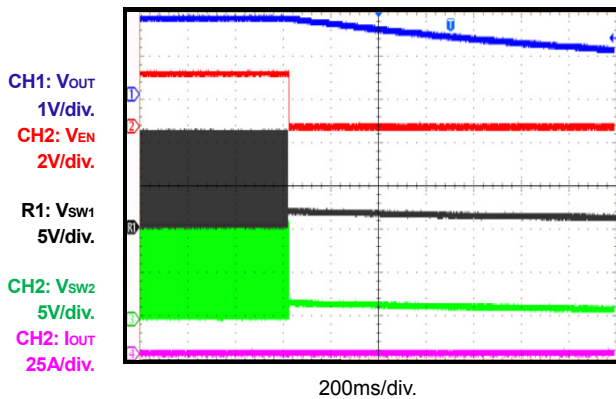
EN Start Up,
Io=0A



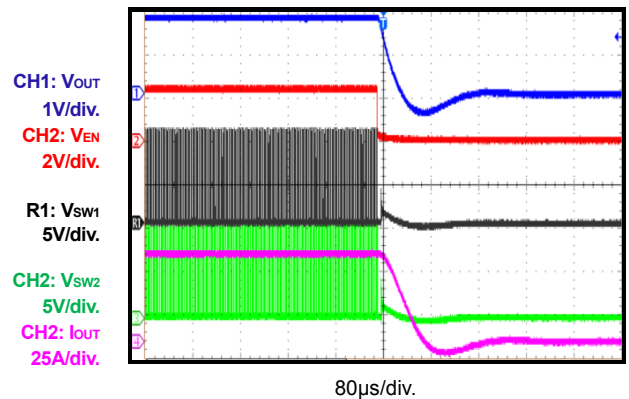
EN Start Up,
Io=50A



EN Shutdown,
Io=0A



EN Shutdown,
Io=50A

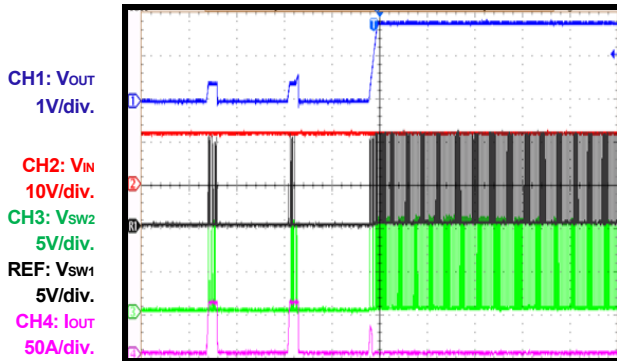


TYPICAL PERFORMANCE CHARACTERISTICS (Continued)

2 Phase, VIN=12V, VOUT=1.8V, FSW=600kHz, TA=+25°C, unless otherwise noted.

SCP Recovery

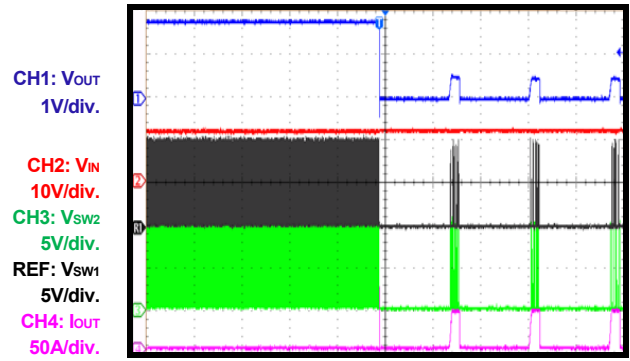
$I_{OUT}=0A$



10ms/div.

SCP Entry

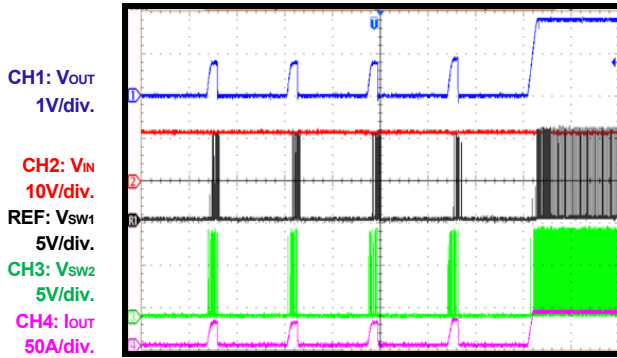
$I_{OUT}=0A$



10ms/div.

SCP Recovery

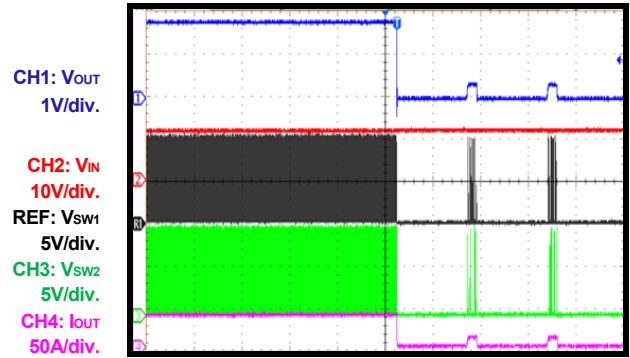
$I_{OUT}=50A$



10ms/div.

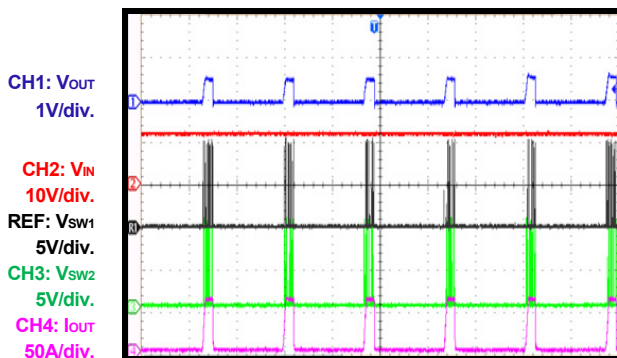
SCP Entry

$I_{OUT}=50A$



10ms/div.

SCP State Steady

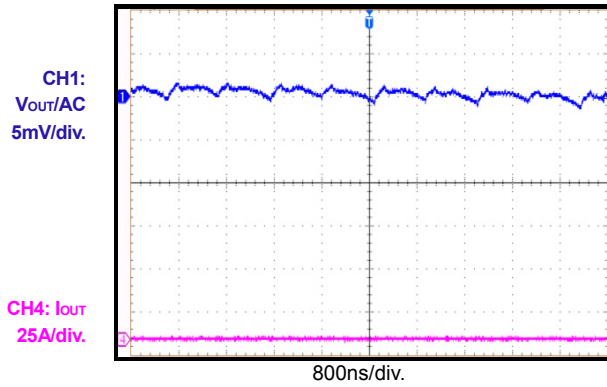


10ms/div.

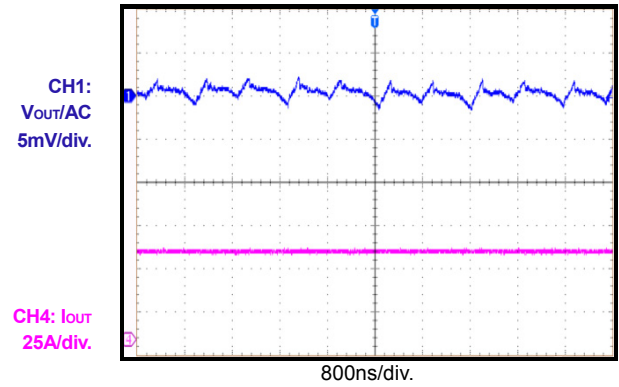
TYPICAL PERFORMANCE CHARACTERISTICS (Continued)

2 Phase, $V_{IN}=12V$, $V_{OUT}=1.8V$, $F_{SW}=600kHz$, $T_A=+25^{\circ}C$, unless otherwise noted.

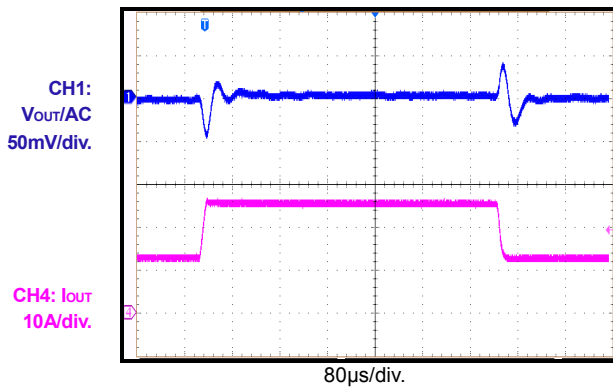
VOUT Ripple@VIN=12V, IO=0A



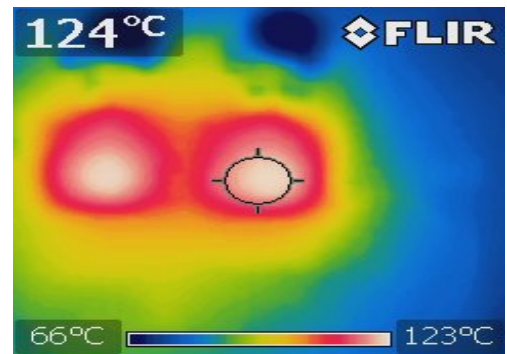
VOUT Ripple@VIN=12V, IO=50A



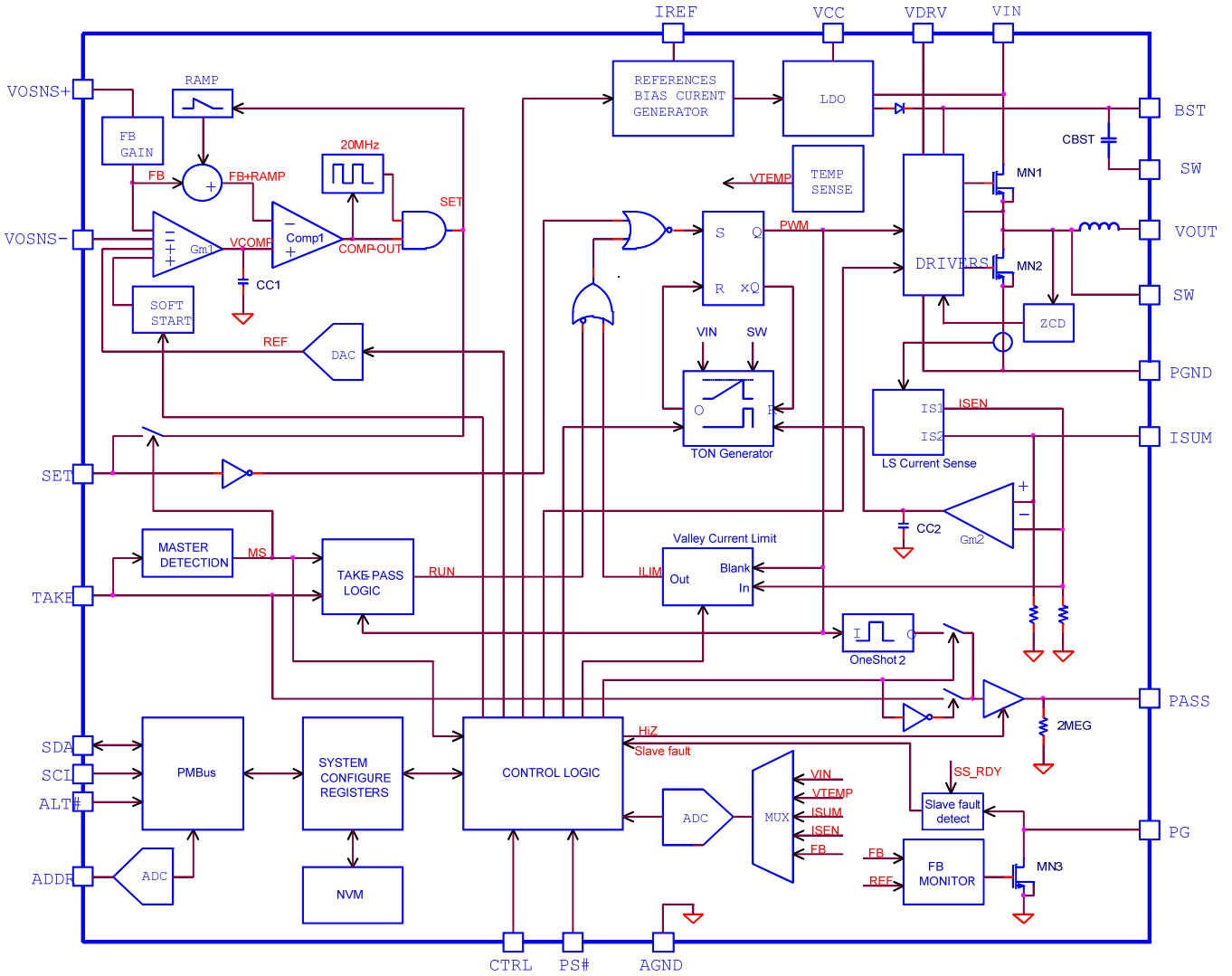
Load Transient @ 25%-50%, 2.5A/us



$V_{IN} = 12V$, $V_{OUT} = 1.8V$, $I_o=40A$, $T_A = 25^{\circ}C$



BLOCK DIAGRAM



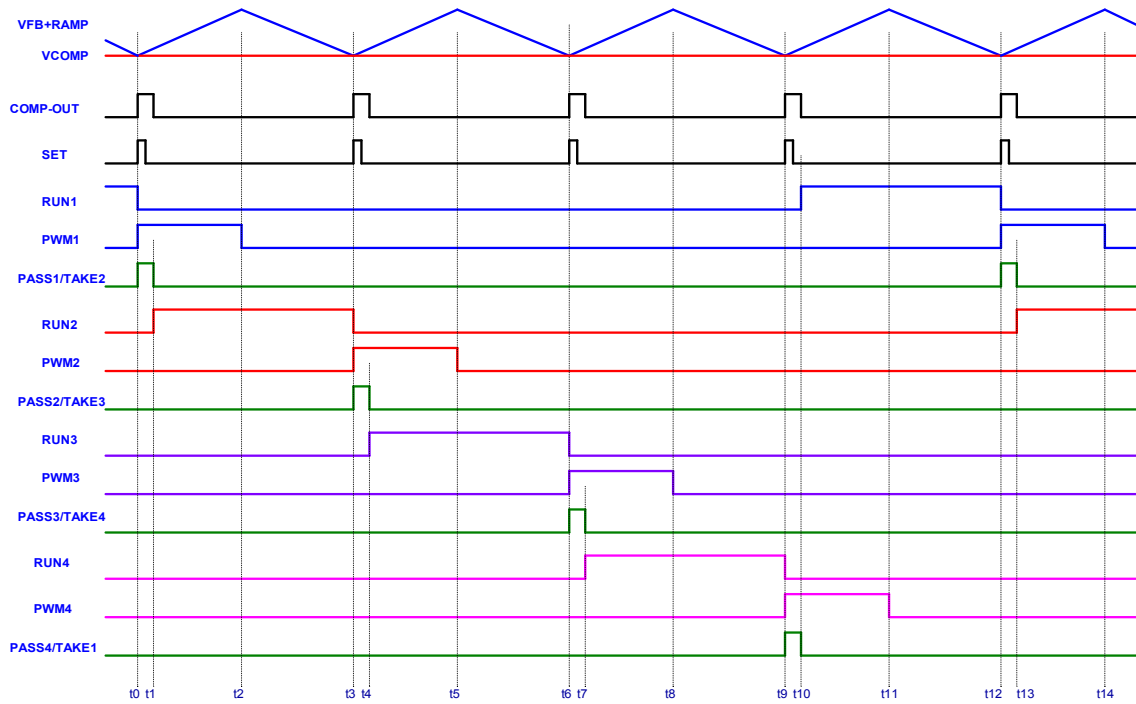


Figure 1: Multi-Phase Operation Timing Diagram (Steady State)

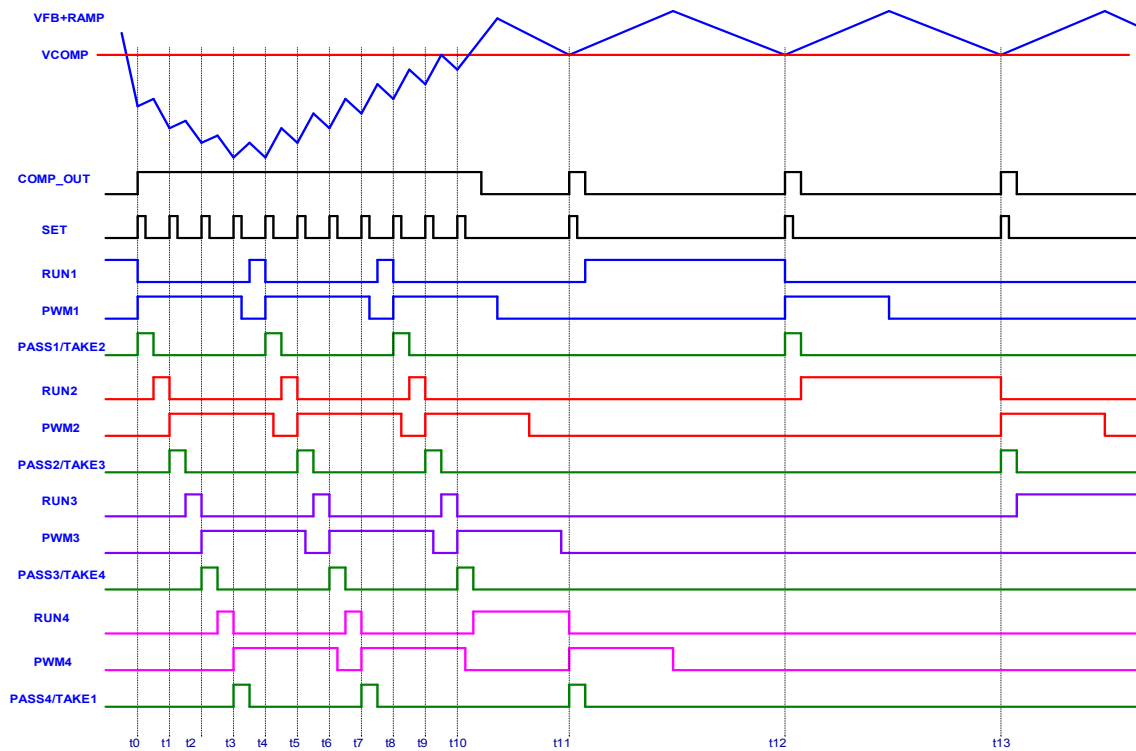


Figure 2: Multi-Phase Operation Timing Diagram (Transient)

OPERATION

The MPM3695-25 is a fully integrated power solution with up to 25A output current in a 10x12x4mm QFN package. For applications that require more than 25A, the MPM3695-25 can be connected in parallel to provide a higher output current. The MPM3695-25 employs constant-on-time (COT) control to provide fast transient response. The internal ramp compensation guarantees stable operation for applications using zero-ESR ceramic output capacitors.

Multi-Phase Operation

In a multi-phase configuration, one master phase and up to five slave phases are connected in parallel. The output current is shared equally among all phases. The typical application circuit illustrates four MPM3695-25s in a multi-phase configuration. The TAKE pin of the master phase is required to be pulled up to a voltage source through a resistor. The MPM3695-25 detects its master/slave configuration by monitoring the state of the TAKE pin during start-up. The PASS and TAKE pins of all phases are connected in a cascaded manner (See Typical Application circuit). The PASS pin of the last slave-phase is connected back to the TAKE pin of the master phase.

MCOT Operation-Master Phase

A master phase performs the following functions:

- Accepts both write and read commands through PMBus from a host
- Generates the SET signal
- Manages the start-up, shut-off, and all the protections
- Monitors fault alerts from the slave phases through the PG pin
- Generates the first ON pulse
- Generates the ON pulse when receiving RUN and SET signals
- Dynamically adjusts its on-time to ensure equal current sharing
- Generates the PASS signal

MCOT Operation-Slave Phases

The master phase performs the following functions:

- Accepts write commands through PMBus from a host
- Receives the SET signal from a master
- Sends an OV/UV/OT fault alert to a master phase through the PG pin
- Starts the ON pulse when receiving RUN and SET signals
- Dynamically adjusts its on-time to ensure equal current sharing with its own phase based on the per-phase and total current
- Generates the PASS signal

Figure 1 illustrates MCOT operation. At t_0 , a SET pulse is generated by the master phase when (VFB+RAMP) drops below the reference level (VCOMP). All the phases receive this SET signal, but only the phase (the MASTER) that has an active RUN signal will take action, so the MASTER turns on the High-Side-FET (HS-FET). Meanwhile, it generates a fixed width-pulse on the PASS pin, and passes it to the TAKE pin of SLAVE1.

At t_1 , the falling edge of the TAKE pin of SLAVE1 activates the RUN signal. This enables the SLAVE1 to wait for the SET signal to turn on its HS-FET.

At t_2 , the ON time of the PWM signal of the MASTER phase expires and the HS-FET is turned off. The ON time of the PWM signal is fixed for any given input voltage, output voltage and switching frequency. The ON time of each phase is fine-tuned based on the per phase and the total current to ensure equal current sharing among phases.

At t_3 , the (VFB+RAMP) drops below the reference level (VCOMP) in the MASTER phase again, only SLAVE1 has an active RUN signal, so it turns on its HS-FET. All other phases ignore this SET signal. Meanwhile, the SLAVE1 generates a pulse with fixed width on the PASS pin, and passes it to the TAKE pin of SLAVE2.

The MPM3695-25 keeps above operation and each phase turns on its HS-FET one by one for a fixed ON time. The operation is similar to a relay race and the RUN signal is like the baton. The relay is carried on through the PASS/TAKE loop. Only the phase that has the baton (RUN signal) will turn on the HS-FET when the SET signal is ready.

The MPM3695-25 benefits from MCOT control to achieve extremely fast load transient response. The SET signal is generated more frequently during a load transient compared to steady state (See Figure 2). Consequently, energy is delivered to the load at a higher rate, which minimizes the output deviation during a load transient event. With the MPM3695-25, the SET pulses are generated with a minimum 50ns interval, i.e., the next phase can be turned on as fast as 50ns after the turn-on of the previous phase.

RAMP Compensation

The MPM3695-25 guarantees stable operation with zero-ESR ceramic output capacitors by using internal RAMP compensation. A triangular RAMP signal is generated internally and is superimposed on the FB signal. The triangular RAMP signal starts to rise once RAMP+FB drops below the REF signal, and a SET pulse is generated. The rise time of the RAMP signal is fixed. The amplitude of the RAMP compensation is selectable through the PMBus command of D0h[3:1] to support wide operation configurations. There is a trade-off between the stability and load transient response. A larger RAMP signal provides higher stability but a slower load transient response and vice versa. Consequently, it is necessary to optimize the RAMP compensation selection based on the design criteria for each application.

APPLICATION INFORMATION

Operation Mode Selection

The MPM3695-25 provides both forced CCM and pulse skip operations in a light-load condition. Four switching frequencies are available for the MPM3695-25. The selection of operation mode in a light-load condition and the switching frequency is done through the PMBus.

Output Voltage Setting

A feedback resistor divider is required to set the proper feedback gain. The values of the feedback resistors are determined using equation 1:

$$R_2(\text{k}\Omega) = \frac{0.6}{V_o - 0.6} \times R_1(\text{k}\Omega) \quad (1)$$

where V_o is the output voltage. The output voltage feedback gain is determined with equation 2:

$$G_{\text{FB}} = \frac{R_2}{R_1 + R_2} \quad (2)$$

To optimize the load transient response, a feed-forward capacitor (C_{FF}) is required to be placed in parallel with R_1 . Table 1 lists the values of the feedback resistors and the feedforward capacitor for common output voltages.

Table 1: Common Output Voltages

V_o	$R_1(\text{k}\Omega)$	$R_2(\text{k}\Omega)$	$C_{\text{FF}}(\text{nF})$
0.9	0.5	1	33
1.2	1	1	33
1.8	2	1	33
3.3	4.53	1	4.7
5	7.32	1	4.7

The MPM3695-25 offers output voltage programmability through PMBus. In addition, the output voltage can be adjusted within a certain range through PMBus by adjusting the internal reference voltage of the PMW controller (V_{REF}). The reference voltage, which has a default value of 0.6V, can be adjusted between 0.5V to 0.672V. For a given feedback resistor network, the upper and lower limits of the output voltage are determined with equation 3a and equation 3b:

$$V_{o,\text{max}} = \frac{0.672}{G_{\text{FB}}} \quad (3a)$$

$$V_{o,\text{min}} = \frac{0.5}{G_{\text{FB}}} \quad (3b)$$

Two steps need to be followed to program the output voltage through PMBus:

1. Write G_{FB} value determined by Equation 2 to register `VOUT_SCALE_LOOP` (29h)
2. Write the output voltage command to register `VOUT_COMMAND` (21h)

V_{REF} is updated automatically based on the output voltage command and G_{FB}

Output voltage monitoring through PMBus is enabled by setting the register `VOUT_SCALE_LOOP` (29h) with a value that matches the G_{FB} calculated with Equation 2.

For applications where a PMBus interface is not required, $V_{\text{REF}}=0.6\text{V}$ is used by default, and the MPM3695-25 operates in analog mode. The feedback resistors should be determined based on Equation 1.

Soft Start

The soft start (SS) time can be programmed through PMBus. The default SS time is 2ms.

Pre-Bias Start-Up

The MPM3695-25 is designed for monotonic startup into pre-biased loads. If the output voltage is pre-biased to a certain voltage during startup, both the high-side and low-side switches are disabled until the internal reference voltage exceeds the sensed output voltage at the FB pin.

Output Voltage Discharge

The output voltage discharge mode will be enabled if the MPM3695-25 is disabled through the CTRL pin. In such a case, both the high-side and low-side switches are latched off. A discharge FET connected between SW and GND is turned on to discharge the output capacitor. A typical on-resistance of the discharge FET is 60Ω. Once the FB voltage drops below 10% of the reference output voltage, the discharge FET is turned off.

This feature can be enabled or disabled through the `MFR_CTRL_VOUT` (D1h) command.

Current Sense and Over-Current Protection (OCP)

The MPM3695-25 features on-die current sense and a programmable positive current limit threshold.

The MPM3695-25 provides both inductor valley current limits (set by register D7h).

Inductor Valley Over-Current Protection (D7h)

During the LS-FET ON state, the inductor current is sensed and monitored cycle-by-cycle. The HS-FET will only be allowed to turn ON if over-current is not detected during the LS-FET ON-state. If there are 31 consecutive cycles of an OC condition detected, OCP is triggered.

During an over-current condition or output short-circuit condition, if the output voltage drops below the under-voltage protection (UVP) threshold, the MPM3695-25 enters OCP immediately.

Once OCP is triggered, it either enters HICCUP mode or latch-off mode, depending on the register. It should be noted that a power-recycle of the V_{CC} or CTRL is required to re-enable the MPM3695-25 once it latches-off.

The inductor valley over-current limit can be programmed through register D7h, which sets the per-phase inductor valley current limit for both single and multi-phase operation.

Negative Inductor Current limit

When the LS-FET detects a negative current lower than the limit set through register D5h[2], the part will turn off its LS-FET for a period of time to limit the negative current. The period is set through register D5h[3].

Under -Voltage Protection (UVP)

The MPM3695-25 monitors the output voltage through the FB pin to detect an under-voltage condition. If the FB voltage drops below the UVP threshold (set through register VOUT_UV_FAULT_LIMIT), the UVP is triggered. After UVP is triggered, the MPM3695-25 enters either HICCUP or latch-off mode, depending on the PMBus selection. Please note that a power-recycle of the V_{CC} or CTRL is required to re-enable the MPM3695-25 once it latches off.

Over-Voltage Protection (OVP)

The MPM3695-25 monitors the output voltage using the FB pin connected to the tap of a resistor divider to detect an over-voltage condition. Please refer to the register VOUT_OV_FAULT_RESPONSE section for additional information on OVP.

Output Sinking Mode (OSM)

The MPM3695-25 enters the OSM when the output voltage is more than 5% higher than the reference and below the OVP threshold. Once the OSM is triggered, the MPM3695-25 runs in forced CCM. The MPM3695-25 exits OSM mode when the HS-FET turns back on.

Over-Temperature Protection (OTP)

The MPM3695-25 monitors the junction temperature. If the junction temperature exceeds the threshold value (set by register OT_FAULT_LIMIT), the converter enters either HICCUP or latch-off mode depending on the PMBus selection. Please note that a power-recycle of the V_{CC} or CTRL is required to re-enable the MPM3695-25 once it latches off.

Power Good (PG)

The MPM3695-25 has an open-drain power-good (PG) output. The PG pin can be configured as an output only or input and output pin by bit [0] of register MRF_CTRL_COMP (D0h). For single-phase configuration, the PG pin should be configured as output only. For multi-phase operation, the PG pin should be configured as an input and output pin to detect faults from the slave phases. The PG pin must be pulled high, to V_{CC} or a voltage source, with less than 3.6V through a pull-up resistor (typically 100kΩ).

PG is pulled low initially once input voltage is applied to the MPM3695-25. After the FB voltage reaches the threshold set by register POWER_GOOD_ON, the PG pin is pulled high after a delay set by the register MFR_CTRL_VOUT.

PG is latched low if any fault occurs, and the relevant protection feature is triggered (e.g., UV, OV, OT, UVLO, etc.). After the PG is latched low, it cannot be pulled high again unless a new soft-start is initialized.

If the input supply fails to power the MPM3695-25, the PG is latched low. The relationship between the PG voltage and the pull-up current is shown in Figure 3.

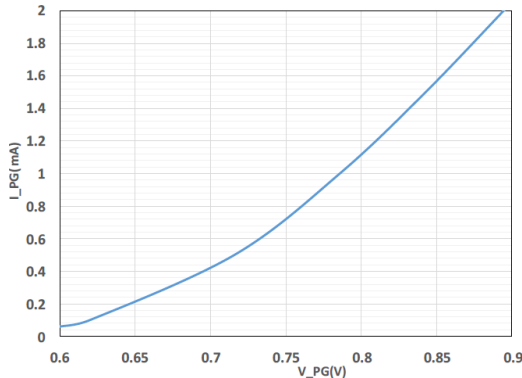


Figure 3: Power-Good Current vs. Power-Good Voltage

Input Capacitor

The input current to a buck converter is discontinuous, and therefore, requires a capacitor to supply the AC current to the step-down module while maintaining the DC input voltage. Use ceramic capacitors for the best performance. During layout, place the input capacitors as close to the IN pin as possible.

The capacitance can vary significantly with temperature. Use capacitors with X5R and X7R ceramic dielectrics, because they are fairly stable over a wide temperature range.

The capacitors must also have a ripple current rating that exceeds the converter's maximum input ripple current. Estimate the input ripple current using equation 4:

$$I_{CIN} = I_{OUT} \times \sqrt{\frac{V_{OUT}}{V_{IN}} \times \left(1 - \frac{V_{OUT}}{V_{IN}}\right)} \quad (4)$$

The worst-case condition occurs at $V_{IN} = 2V_{OUT}$, where:

$$I_{CIN} = \frac{I_{OUT}}{2} \quad (5)$$

For simplification, choose an input capacitor with an RMS current rating that exceeds half the maximum load current.

The input capacitance value determines the converter input voltage ripple. Select a capacitor value that meets any input voltage ripple requirements.

Estimate the input voltage ripple using equation 6:

$$\Delta V_{IN} = \frac{I_{OUT}}{F_{SW} \times C_{IN}} \times \frac{V_{OUT}}{V_{IN}} \times \left(1 - \frac{V_{OUT}}{V_{IN}}\right) \quad (6)$$

The worst-case condition occurs at $V_{IN} = 2V_{OUT}$, where:

$$\Delta V_{IN} = \frac{1}{4} \times \frac{I_{OUT}}{F_{SW} \times C_{IN}} \quad (7)$$

Output Capacitor

The output capacitor maintains the DC output voltage. Use ceramic capacitors or POSCAPs. Estimate the output voltage ripple using equation 8:

$$\Delta V_{OUT} = \frac{V_{OUT}}{F_{SW} \times L} \times \left(1 - \frac{V_{OUT}}{V_{IN}}\right) \times \left(R_{ESR} + \frac{1}{8 \times F_{SW} \times C_{OUT}}\right) \quad (8)$$

Where the module internal inductor is 0.36μH.

When using ceramic capacitors, the capacitance dominates the impedance at the switching frequency. The capacitance also dominates the output voltage ripple. For simplification, estimate the output voltage ripple using equation 9:

$$\Delta V_{OUT} = \frac{V_{OUT}}{8 \times F_{SW}^2 \times L \times C_{OUT}} \times \left(1 - \frac{V_{OUT}}{V_{IN}}\right) \quad (9)$$

The ESR dominates the switching-frequency impedance for POSCAPs, so the output voltage ripple is determined by the ESR value.

For simplification, the output ripple can be approximated using equation 10:

$$\Delta V_{OUT} = \frac{V_{OUT}}{F_{SW} \times L} \times \left(1 - \frac{V_{OUT}}{V_{IN}}\right) \times R_{ESR} \quad (10)$$

PCB Layout Guidelines

PCB layout plays an important role to achieve stable operation. For optimal performance, follow the guidelines below:

1. Place the input ceramic capacitors as close to the VIN and PGND pins as possible on the same layer of the MPM3695-25. Maximize the VIN and PGND copper plane to minimize the parasitic impedance.
2. Place VIN vias at least 1cm from the part to minimize noise coupling from input pulsating current.
3. Connect AGND to a solid ground plane through a single point.
4. Place sufficient output GND vias close to the GND pins to minimize both parasitic impedance and thermal resistance.
5. Keep the ISUM trace as short as possible. The ISUM trace should be away from the VIN copper in a multi-phase configuration. Vias should be avoided whenever possible.
6. The keep-out area must be kept clean.

Signal traces should avoid the area directly beneath the SW pad unless a PGND layer is used to provide shielding.

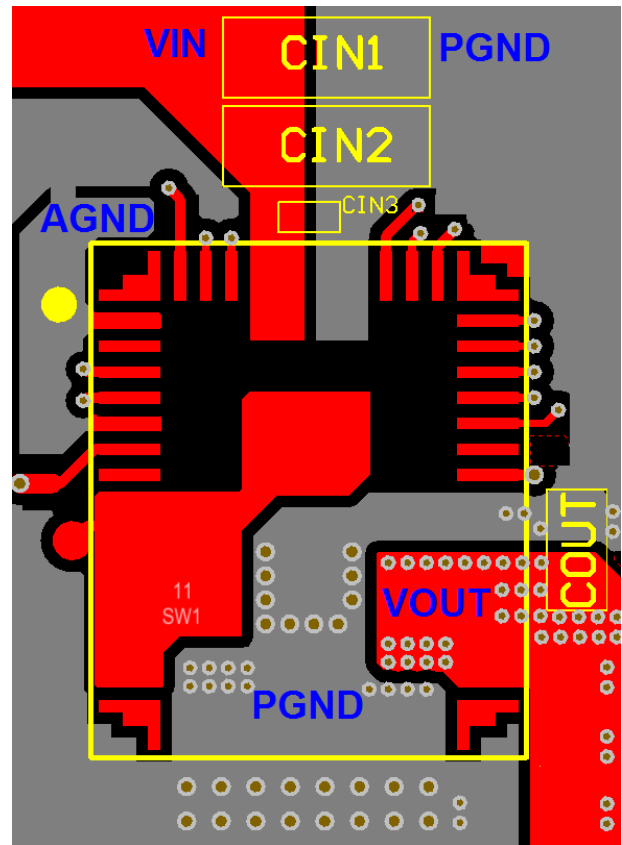


Figure 4. Example Layout - Top Layer

TYPICAL APPLICATIONS

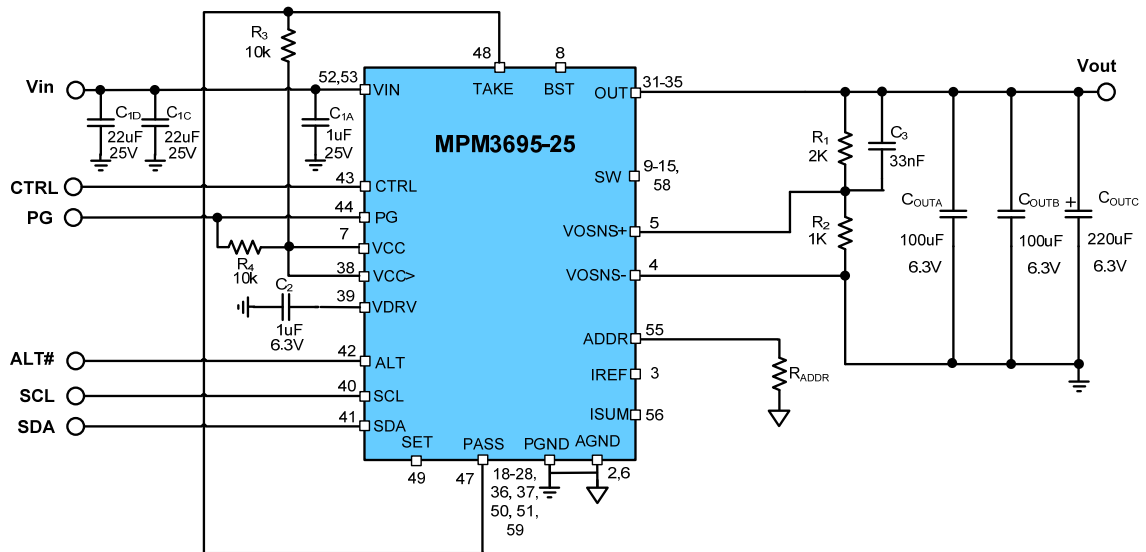


Figure 5: Typical Circuit $V_{IN}=12V$, $V_{OUT}=1.8V$ at 20A Output

V_o	$R_1(k\Omega)$	$R_2(k\Omega)$	$C_{FF}(nF)$
0.9	0.5	1	33
1.2	1	1	33
1.8	2	1	33
3.3	4.53	1	4.7
5	7.32	1	4.7

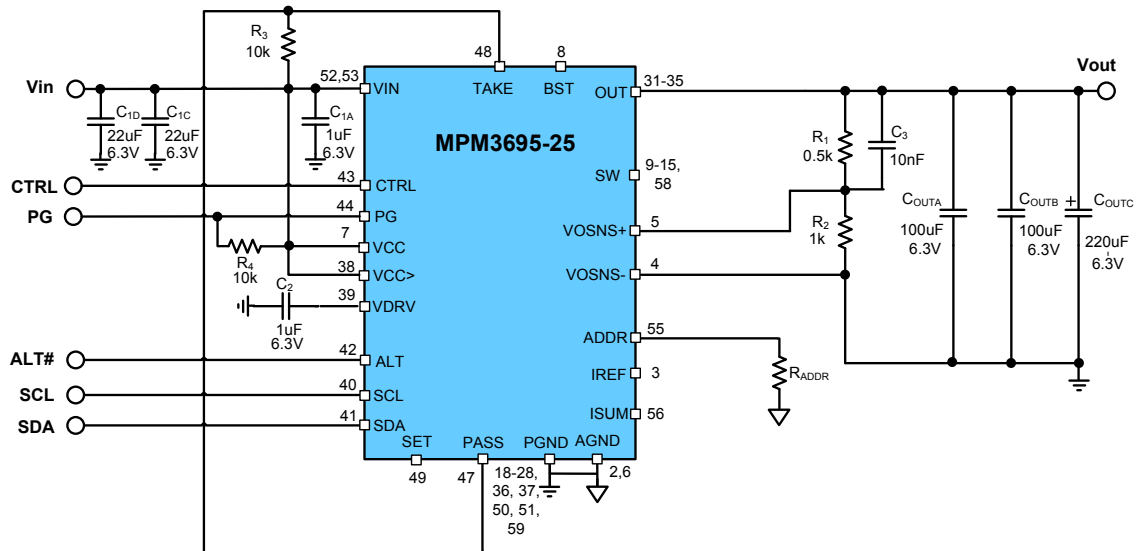


Figure 6: Typical Circuit $V_{CC}=V_{IN}=3.3V$, $V_{OUT}=0.9V$ at 20A Output

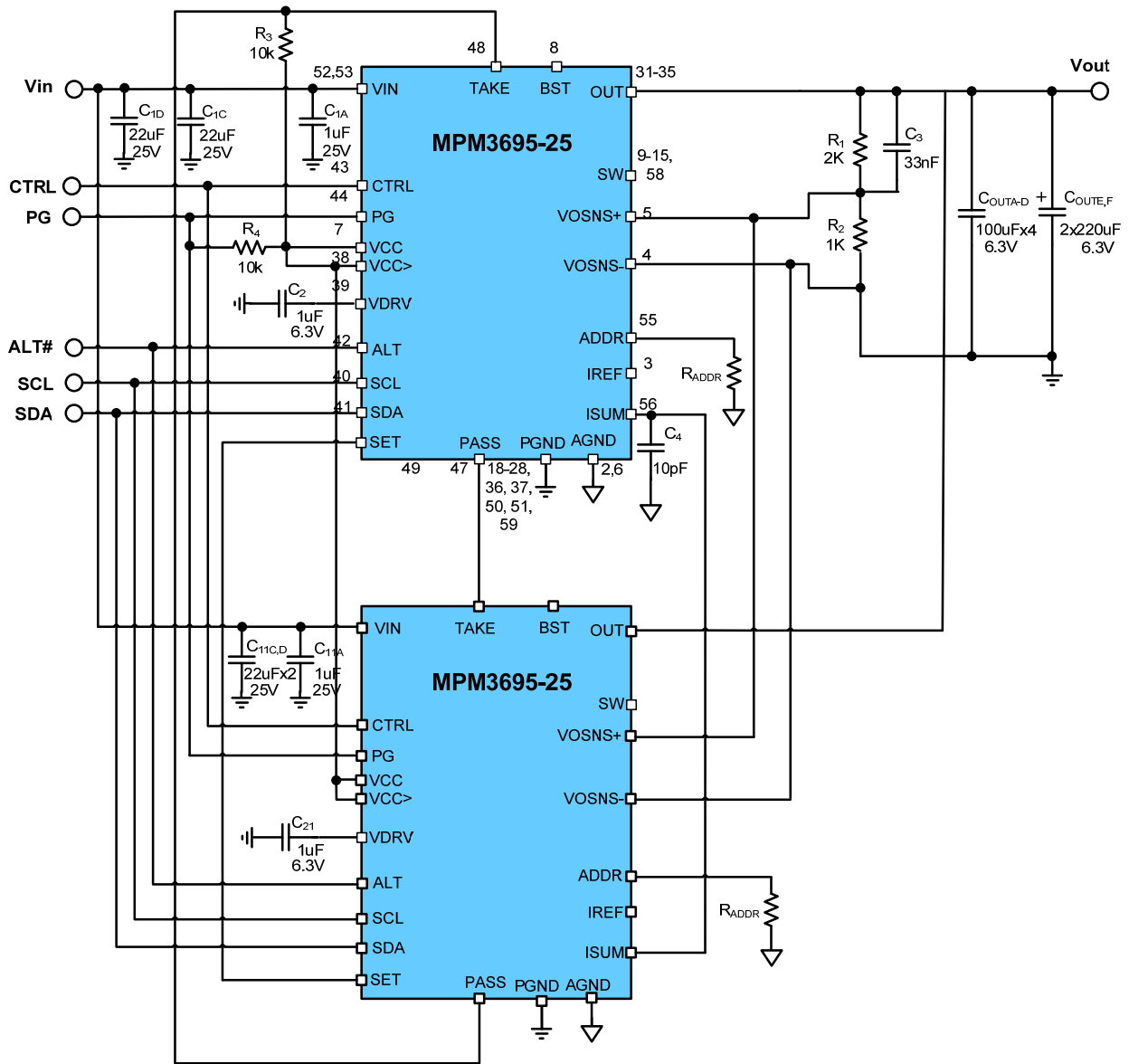


Figure 7: Multi Phase Typical Circuit $V_{IN} = 12V$, $V_{OUT} = 1.8V$ at 40A Output

NOTE:

8) When $V_{IN} < 9V$, additional input E-cap is required. Recommended value is 220 μ F.

PMBUS INTERFACE

PMBus Serial Interface Description

The power management bus (PMBus) is a two-wire, bidirectional serial interface, consisting of a data line (SDA) and a clock line (SCL). The lines are externally pulled to a bus voltage when they are “idle”. Connecting to the line, a master device generates the SCL signal and device address and arranges the communication sequence. It is based on the principles of I²C operation. The MPM3695-25 interface is a PMBus slave, which will support both the standard mode (100kHz) and fast mode (400kHz and 1000KHz). The PMBus interface adds flexibility to the power supply solution.

Device Address

To manage multiple MPM3695-25s through the same PMBus, use the ADDR pin to program the device address for the MPM3695-25s; there is a 10µA current flow out of the ADDR pin. Connect a resistor between the ADDR pin and AGND to set the ADDR voltage. The internal ADC converts the pin voltage to set the PMBus address. A maximum of 16 addresses can be set by the ADDR pin. The MFR_ADDR_PMBUS (F1h) register can be used to set the PMBus address digitally.

After the address is selected, each device must have a unique address during normal operation.

Table 2 shows ADDR resistor values versus the PMBus address.

Table 2: PMBus Address vs. ADDR Resistor

R _{ADDR} (kΩ)	Device Address
4.99	30h
15	31h
24.9	32h
34.8	33h
45.3	34h
54.9	35h
64.9	36h
75	37h
84.5	38h
95.3	39h
105	3Ah
115	3Bh
124	3Ch
133	3Dh
147	3Eh
154	3Fh

Start and Stop Conditions

The START/STOP are signaled by the master device, which signifies the beginning and the end of the PMBus data transfer. The START condition is defined as the SDA signal transitioning from HIGH to LOW while the SCL is HIGH. The STOP condition is defined as the SDA signal transitioning from LOW to HIGH while the SCL is HIGH (See Figure 8).

The master then generates the SCL clocks, and transmits the device address and the read/write direction bit R/W on the SDA line. Data is transferred in 8 bit bytes by the SDA line. Each byte of data is followed by an acknowledge bit.

PMBus Update Sequence

The MPM3695-25 requires a start condition, a valid PMBus address, a register address byte, and a data byte for a single data packet update. After receipt of each byte, the MPM3695-25 acknowledges by pulling the SDA line low during the high period of a single clock pulse. A valid PMBus address selects the MPM3695-25. The MPM3695-25 performs an update on the falling edge of the LSB byte.

Protocol Usage

All PMBus transactions on the MPM3695-25 are done using defined bus protocols. The following protocols are implemented:

- Send byte with PEC
- Receive byte with PEC
- Write byte with PEC
- Read byte with PEC
- Write word with PEC
- Read word with PEC
- Block read with PEC

PMBus Bus Message Format

In figures a-g below, unshaded cells indicate that the bus host is actively driving the bus; shaded cells indicate that the MPM3695-25 is driving the bus.

- S = start condition
- Sr = repeated start condition
- P = stop condition
- R = read bit
- \bar{W} = write bit
- A = acknowledge bit (0)
- \bar{A} = acknowledge bit (1)

“A” represents the ACK (acknowledge) bit. The ACK bit is typically active low (Logic 0) if the transmitted byte is successfully received by a device. However, when the receiving device is the bus master, the acknowledge bit for the last byte read is a Logic 1, indicated by \bar{A} .

Packet Error Checking (PEC)

The MPM3695-25 PMBus interface supports the use of the packet error checking (PEC) byte. The PEC byte is transmitted by the MPM3695-25 during a read transaction or sent by the bus host to the MPM3695-25 during a write transaction.

The PEC byte is used by the bus host or the MPM3695-25 to detect errors during a bus transaction, depending on whether the transaction is a read or a write. If the host determines that the PEC byte read during a read transaction is incorrect, it can decide to repeat the read. If the MPM3695-25 determines that the PEC byte sent during a write transaction is incorrect, it ignores the command (does not execute it), and it sets a status flag. Within a group command, the host can choose to send or not send a PEC byte as part of the message to the MPM3695-25.

PMBus Alert Response Address (ARA)

The PMBus alert response address (ARA) is a special address that can be used by the bus host to locate any devices that need to talk to it. A host typically uses a hardware interrupt pin to monitor the PMBus ALERT pins of a number of devices. When the host interrupt occurs, the host issues a message on the bus using the PMBus receive byte or receive byte with PEC protocol.

The special address used by the host is 0x0C. Any devices that have a PMBus alert signal return their own 7-bit address as the seven MSBs of the data byte. The LSB value is not used and can be either 1 or 0. The host reads the device address from the received data byte and proceeds to handle the alert condition.

More than one device may have an active PMBus alert signal and attempt to communicate with the host. In this case, the device with the lowest address dominates the bus and succeeds in transmitting its address to the host. The device that succeeds disables its PMBus alert signal. If the host sees that the PMBus alert signal is still low, it continues to read addresses until all devices that need to talk to it have successfully transmitted their addresses.

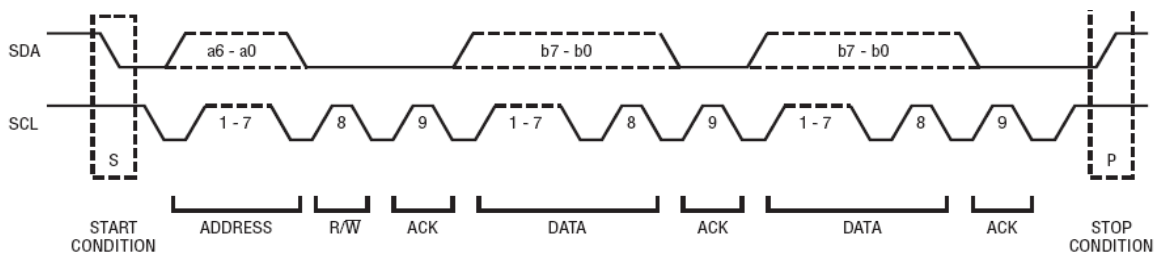
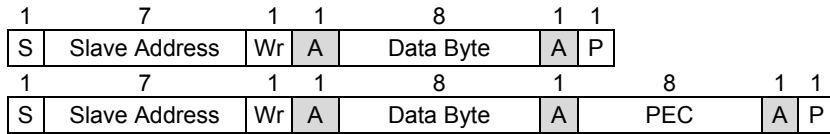
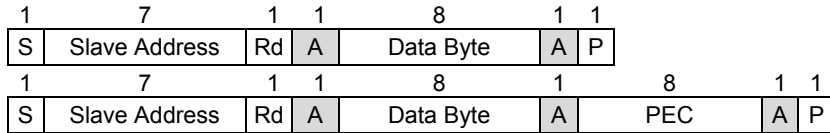
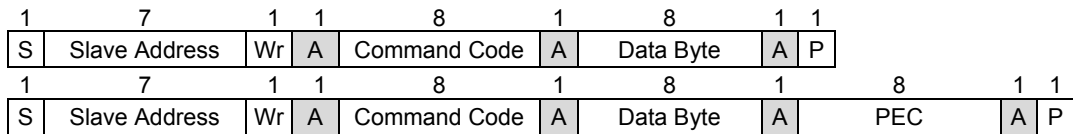
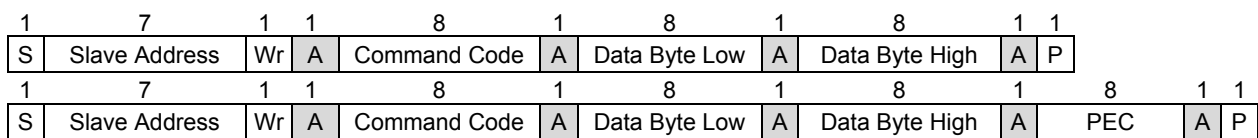
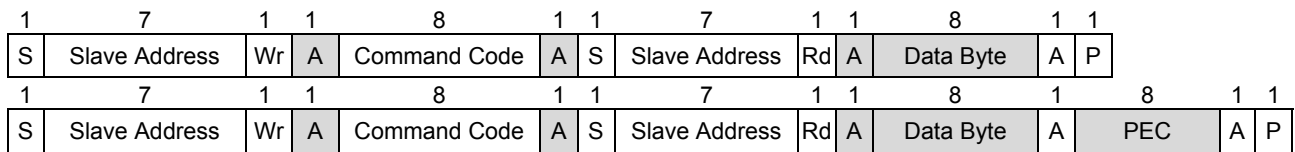
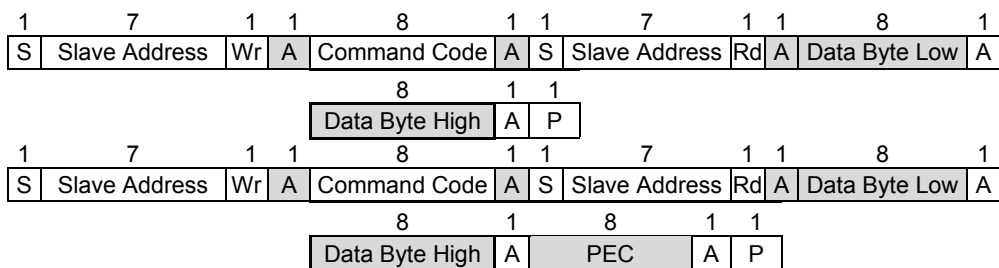
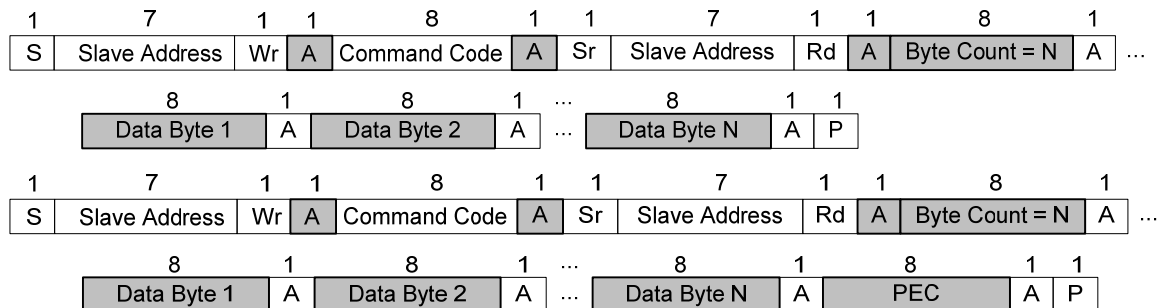


Figure 8: Data Transfer over PMBus

a) Send Byte and Send Byte with PEC

b) Receive Byte and Receive Byte with PEC

c) Write Byte and Write Byte with PEC

d) Write Word and Write Word with PEC

e) Read Byte and Read Byte with PEC

f) Read Word and Read Word with PEC

g) Block Read with PEC


Direct Format Conversion

The MPM3695-25 uses the direct format internally to represent real-world values such as voltage, current, power, and temperature. A direct format number takes the form of a 2-byte, twos complement, binary integer value.

The decimal equivalent of all warning and telemetry words are within the range of 0 to 1023.

Equation 11 converts from real-world values to a direct format, and Equation 12 converts direct format values to real-world values:

$$Y = (mX + b) \times 10^R \tag{11}$$

$$X = \frac{1}{m}(Y \times 10^{-R} - b) \tag{12}$$

where: Y is the value in a direct format.

X is the calculated real-world value (A, V, W, °C etc.).

m is the slope coefficient, a 2-byte, twos complement integer.

b is the offset, a 2-byte, twos complement integer.

R is a scaling exponent, a 1-byte, twos complement integer.

The same equations are used for voltage, current, power, and temperature conversions; the only difference being the values of the m, b, and R coefficients that are used. Table 2 lists all the coefficients required for the MPM3695-25.

Table 2: Direct Format Conversion to Real-Word Coefficients

Commands	m	b	R	Units
READ_IOUT IOUT_OC_WARN_LIMIT MFR_SPECIFIC_HYSTL MFR_SPECIFIC_HYSTH	16	0	0	A
READ_VIN READ_VOUT VIN_OV_FAULT_LIMIT VIN_UV_FAULT_LIMIT	32	0	0	V
READ_PIN	1	0	0	W
OT_FAULT_LIMIT OT_WARN_LIMIT READ_TEMPERATURE	2	0	0	°C
MFR_SPECIFIC_STARTUP_CURRENT_LIMIT	4	50	-1	A

MTP Programming

The MPM3695-25 has built-in MTP (Multiple Time Program) cells to store the user configurations. The standard command of 15h (STORE_USER_ALL) is currently not supported by the MPM3695-25. Alternatively, the MTP cells must be programmed through the following commands sequence:

```
E7h(2000h)→E7h(1000h)→E7h(4000h)
```

The MPS GUI for the MPM3695-25 supports the STORE_USER_ALL command by integrating the above E7h command sequence and naming it 15h (STORE_USER_ALL).

When MTP is being programmed, the VCC voltage may go up as high as 5V. Be cautious if VCC is connected to circuits that can be damaged by such high voltage. The MTP programming usually takes about 300ms.

REGISTER MAP

Name	Code	Type	Bytes	Default Value (-0022 Part)	MTP
OPERATION	01h	R/W w/PEC	1	80h	YES
ON_OFF_CONFIG	02h	R/W w/PEC	1	1Eh	YES
CLEAR_FAULTS	03h	Send byte w/PEC	0	-	
WRITE_PROTECT	10h	R/W w/PEC	1	00h	YES
STORE_USER_ALL	15h	Send byte w/PEC	0	-	
RESTORE_USER_ALL	16h	Send byte w/PEC	0	-	
CAPABILITY	19h	R w/PEC	1	B0h	
VOUT_MODE	20h	R w/PEC	1	40h	
VOUT_COMMAND	21h	R/W w/PEC	2	0384h (1.8V)	YES
VOUT_MAX	24h	R/W w/PEC	2	0BB8h (6V)	YES
VOUT_SCALE_LOOP	29h	R/W w/PEC	2	01F4h (0.67V)	YES
VOUT_MIN	2Bh	R/W w/PEC	2	00FAh (0.5V)	YES
VIN_ON	35h	R/W w/PEC	2	0010h (4V)	YES
VIN_OFF	36h	R/W w/PEC	2	000Fh (3.75V)	YES
IOUT_OC_FAULT_LIMIT	46h	R/W w/PEC	2	00E3h (54A)	YES
IOUT_OC_WARN_LIMIT	4Ah	R/W w/PEC	2	00D7h (52A)	YES
OT_FAULT_LIMIT	4Fh	R/W w/PEC	2	00A0h(160°C)	YES
OT_WARN_LIMIT	51h	R/W w/PEC	2	008Ch (125°C)	YES
VIN_OV_FAULT_LIMIT	55h	R/W w/PEC	2	0024h (18V)	YES
VIN_OV_WARN_LIMIT	57h	R/W w/PEC	2	0022 (17V)	YES
VIN_UV_WARN_LIMIT	58h	R/W w/PEC	2	0001h (0.25V)	YES
TON_DELAY	60h	R/W w/PEC	2	0000h (0ms)	YES
TON_RISE	61h	R/W w/PEC	2	0000h (0ms)	YES
TOFF_DELAY	64h	R/W w/PEC	2	0000h (0ms)	YES
STATUS_BYTE	78h	R w/PEC	1		
STATUS_WORD	79h	R w/PEC	2		
STATUS_VOUT	7Ah	R w/PEC	1		
STATUS_IOUT	7Bh	R w/PEC	1		
STATUS_INPUT	7Ch	R w/PEC	1		
STATUS_TEMPERATURE	7Dh	R w/PEC	1		
STATUS_CML	7Eh	R w/PEC	1		
READ_VIN	88h	R w/PEC	2		
READ_VOUT	8Bh	R w/PEC	2		
READ_IOUT	8Ch	R w/PEC	2		
READ_TEMPERATURE_1	8Dh	R w/PEC	2		

REGISTER MAP (continued)

Name	Code	Type	Bytes	Default Value (-0022 Part)	MTP
PMBUS_REVISION	98h	R w/PEC	1	33h, ASCII "13" (PMBus 1.3)	
MFR_ID	99h	Block read w/PEC	1(byte)+ 3(data)	4Dh 50h 53h, ASCII "MPS"	
MFR_MODEL	9Ah	Block read w/PEC	1(byte)+ 8(data)	4Dh 50h 51h 38h 36h 34h 35h 50h, ASCII "MPM3695-25"	
MFR_REVISION	9Bh	Block read w/PEC	1(byte)+ 1(data)	32h, ASCII "MPM3695-25"	YES *
MFR_4_DIGIT	9Dh	Block read w/PEC	1(byte)+ 6(data)	31h 36h 30h 30h 30h 30h (MPM3695-25 4-digit 0000)	YES *
MFR_CTRL_COMP	D0h	R/W w/PEC	1	0Dh	YES
MFR_CTRL_VOUT	D1h	R/W w/PEC	1	00h	YES
MFR_CTRL_OPS	D2h	R/W w/PEC	1	03h	YES
MFR_ADDR_PMBUS	D3h	R/W w/PEC	1	30h	YES
MFR_VOUT_FAULT_LIMIT	D4h	R/W w/PEC	1	03h	YES
MFR_OVP_NOCP_SET	D5h	R/W w/PEC	1	02h	YES
MFR_OT_OC_SET	D6h	R/W w/PEC	1	08h	YES
MFR_OC_PHASE_LIMIT	D7h	R/W w/PEC	1	12h (27A)	YES
MFR_HICCUP_ITV_SET	D8h	R/W w/PEC	1	00h	YES
MFR_PGOOD_ON_OFF	D9h	R/W w/PEC	1	00h	YES
MFR_VOUT_STEP	DAh	R/W w/PEC	1	04h	YES
MFR_LOW_POWER	E5h	R/W w/PEC	1	00h	YES

* For manufacturer WRITE only

COMMANDS

OPERATION (01h)

OPERATION is a paged register. The OPERATION command is used to turn the converter output on/off in conjunction with input from the CTRL pin. It is also used to set the output voltage to the upper or lower MARGIN voltages. The unit stays in the commanded operating mode until a subsequent OPERATION command or a change in the state of the CTRL pin instructs the converter to change to another mode. This OPERATION command is also used to re-enable the converter after a fault triggered shutdown. Writing an OFF command followed by an ON command will clear all faults. Writing only an ON command after a fault-triggered shutdown will not clear the fault registers.

Command	OPERATION							
Format	Unsigned binary							
Bit	7	6	5	4	3	2	1	0
Access	r/w	r/w	r/w	r/w	r/w	r/w	r	r
Function							x	x

Bit[7:6]	Bit[5:4]	Bit[3:2]	Bit[1:0]	On/off	Margin state
00	xx	xx	Xx	Immediate off	N/A
01	Xx	xx	Xx	Soft off	N/A
10	00	xx	Xx	on	off
10	01	01	Xx	on	Margin low (ignore fault)
10	01	10	Xx	on	Margin low (act on fault)
10	10	01	Xx	on	Margin high (ignore fault)
10	10	10	Xx	on	Margin high (act on fault)

ON_OFF_CONFIG (02h)

The ON_OFF_CONFIG command configures the combination of the CTRL pin input and the PMBus commands needed to turn the converter on and off. This includes how the converter responds when input voltage is applied.

Command	OPERATION							
Format	Unsigned binary							
Bit	7	6	5	4	3	2	1	0
Access	r	r	r	r/w	r/w	r/w	r/w	r
Function	X	X	X	pon	op	en	pol	dly

pon

The pon bit sets the default to either operate any time the input voltage is present or for the on/off to be controlled by the CTRL pin and PMBus commands.

Bit[4] Value	Meaning
0	Converter powers up any time the input voltage is present regardless of state of the CTRL pin
1	Converter does not power up until commanded by the CTRL pin and OPERATION command (as programmed in bits[3:0])

op

The op bit controls how the converter responds to the OPERATION commands.

Bit[3] Value	Meaning
0	Converter ignores the “on” bit in the OPERATION command from the PMBus
1	Converter responds the “on” bit in the OPERATION command from the PMBus

en

This en bit controls how the converter responds to the CTRL pin.

Bit[2] Value	Meaning
0	Converter ignores the CTRL pin (on/off controlled only by the OPERATION command).
1	Converter requires the CTRL pin to be asserted to power up. Depending on the bit[3] op bit, the OPERATION command may also be required to instruct the converter to power up.

pol

The pol bit sets the polarity of the CTRL pin.

Bit[1] Value	Meaning
0	Active low (Pull CTRL pin low to start the converter)
1	Active high (Pull CTRL pin high to start the converter)

dly

The dly bit sets the turn off action when the converter is commanded off. This bit is read only and can't be modified by the end user.

Bit[0] Value	Meaning
0	TOFF_DELAY, TOFF_FALL

CLEAR_FAULTS (03h)

The CLEAR_FAULTS command is used to reset all stored warning and fault flags. If a fault or warning condition still exists when the CLEAR_FAULTS command is issued, the ALT# signal may not be cleared or will be re-asserted almost immediately. Issuing a CLEAR_FAULTS command will not cause the converter to restart in the event of a fault turn-off. It must be done by issuing an OPERATION command after the fault condition is cleared. This command uses the PMBus to send byte protocol.

WRITE_PROTECT (10h)

The WRITE_PROTECT command is used to control writing to the converter. The intent of this command is to provide protection against accident changes. It's not intended to provide protection against deliberate or malicious changes to the converter's configuration or operation.

All the supported commands may have their parameters read, regardless of the WRITE_PROTECT settings.

Bit[7:0] Value								Meaning
0	0	0	0	0	0	0	0	Enable writes to all commands.
0	0	1	0	0	0	0	0	Disable all writes except to the WRITE_PROTECT, OPERATION, PAGE, ON_OFF_CONFIG and VOUT_COMMAND commands.
0	1	0	0	0	0	0	0	Disable all writes except to the WRITE_PROTECT, OPERATION and PAGE commands.
1	0	0	0	0	0	0	0	Disable all writes except to the WRITE_PROTECT command.

STORE_USER_ALL (15h)

Write all the data from the registers to the internal MTPs. This process will operate when the MPM3695-25 receives a STORE_USER_ALL command from the PMBus interface. Currently the MPM3695-25 doesn't support the standard 15h command. However, it can accept a 15h command from the MPS GUI for the MPM3695-25. See the "MTP Programming" section for additional details.

The following registers can be stored using STORE_USER_ALL:

OPERATION (01h)	TON_DELAY (60h)
ON_OFF_CONFIG (02h)	TON_RISE (61h)
WRITE_PROTECT (10h)	TOFF_DELAY (64h)
VOUT_COMMAND (21h)	MFR_REVISION (9Bh)
VOUT_MAX (24h)	MFR_4_DIGIT (9Dh)
VOUT_MARGIN_HIGH (25h)	MFR_CTRL_COMP (D0h)
VOUT_MARGIN_LOW (26h)	MFR_CTRL_VOUT (D1h)
VOUT_SCALE_LOOP (29h)	MFR_CTRL_OPS (D2h)
VOUT_MIN (2Bh)	MFR_ADDR_PMBUS (D3h)
VIN_ON (35h)	MFR_VOUT_FAULT_LIMIT (D4h)
VIN_OFF (36h)	MFR_OVP_NOCP_SET (D5h)
IOUT_OC_FAULT_LIMIT (46h)	MFR_OT_OC_SET (D6h)
IOUT_OC_WARN_LIMIT (4Ah)	MFR_OC_PHASE_LIMIT (D7h)
OT_FAULT_LIMIT (4Fh)	MFR_HICCUP_ITV_SET (D8h)
OT_WARN_LIMIT (51h)	MFR_PGOOD_ON_OFF (D9h)
VIN_OV_FAULT_LIMIT (55h)	MFR_VOUT_STEP (DAh)
VIN_OV_WARN_LIMIT (57h)	MFR_LOW_POWER (E5h)
VIN_UV_WARN_LIMIT (58h)	

RESTORE_USER_ALL (16h)

The RESTORE_USER_ALL command instructs the MPM3695-25 to copy all content of the MTP values to the matching locations in the registers. The values in the registers are overwritten by the value retrieved from the MTP. Any items in the MTPs that do not have matching locations in the operating memory are ignored.

The RESTORE_USER_ALL command can be used while the MPM3695-25 is operating.

Please Note: While the RESTORE_USER_ALL command can be used, the MPM3695-25 may be unresponsive during the copy operation with unpredictable, undesirable, or even catastrophic results.

This command is write only.

CAPABILITY (19h)

The CAPABILITY command returns information about the PMBus functions supported by the MPM3695-25. This command is read with the PMBus read byte protocol.

Command	CAPABILITY							
Format	Unsigned binary							
Bit	7	6	5	4	3	2	1	0
Access	r	r	r	r	r	r	r	r
Function	PEC	Max. bus speed		Alert	x	x	x	x
Default value	1	0	1	1	0	0	0	0
PEC supported, max speed 400kHz, supports PMBus Alert and ARA.								

Bit[6:5]	Value	Meaning
0	0	Maximum supported bus speed is 100kHz.
0	1	Maximum supported bus speed is 400kHz.
1	0	Maximum supported bus speed is 1MHz.
1	1	Reserved.

VOUT_MODE (20h)

The VOUT_MODE command is used to command and read the output voltage. The 3 most significant bits are used to determine the data format (only a direct format is supported by the MPM3695-25), and the remaining 5 bits represent the exponent used in the output voltage read/write commands.

VOUT_COMMAND (21h)

The VOUT_COMMAND sets the output voltage of the MPM3695-25. The VOUT_COMMAND and the VOUT_SCALE_LOOP together determine the feedback reference voltage: VOUT_COMMAND*VOUT_SCALE_LOOP.

Please refer to the “Output Voltage Setting” section to program the output voltage.

Command	VOUT_COMMAND															
Format	Direct															
Bit	15	14	13	12	11	10	9	8	7	6	5	4	3	2	1	0
Access	r	r	r	r	r/w	r/w	r/w	r/w	r/w	r/w	r/w	r/w	r/w	r/w	r/w	r/w
Function	X															

The value is unsigned and 1LSB = 2mV.

The vout command accuracy is 2mV/K; K is the SCALE_LOOP value. The default value is 1.8V.

VOUT_MAX (24h)

The VOUT_MAX command sets an upper limit on the output voltage the converter can command regardless of any other commands or combinations. The intent of this command is to provide a safeguard against a user accidentally setting the output voltage to a possibly destructive level rather than to be the primary output over-voltage protection.

Command	VOUT_MAX															
Format	Direct															
Bit	15	14	13	12	11	10	9	8	7	6	5	4	3	2	1	0
Access	r	r	r	r	r/w	r/w	r/w	r/w	r/w	r/w	r/w	r/w	r/w	r/w	r/w	r/w
Function	x															

If an attempt is made to program the output voltage higher than the limit set by this command, the device shall respond as follows:

- The commanded output voltage shall be set to VOUT_MAX,
- The NONE OF THE ABOVE bit shall be set in the STATUS_BYTE
- The VOUT bit shall be set in the STATUS_WORD
- The VOUT_MAX_MIN warning bit shall be set in the STATUS_VOUT register
- The device shall notify the host

The value is unsigned and 1LSB=2mV. The maximum value of VOUT_MAX is 6V, and the default value is 6V.

VOUT_MARGIN_HIGH (25h)

Command	VOUT_MARGIN_HIGH															
Format	Direct															
Bit	15	14	13	12	11	10	9	8	7	6	5	4	3	2	1	0
Access	r	r	r	r	r/w	r/w	r/w	r/w	r/w	r/w	r/w	r/w	r/w	r/w	r/w	r/w
Function	x	x	x	x												

The value is unsigned and 1LSB = 2mV.

VOUT_MARGIN_LOW (26h)

Command	VOUT_MARGIN_LOW															
Format	Direct															
Bit	15	14	13	12	11	10	9	8	7	6	5	4	3	2	1	0
Access	r	r	r	r	r/w	r/w	r/w	r/w	r/w	r/w	r/w	r/w	r/w	r/w	r/w	r/w
Function	x	x	x	x												

The value is unsigned and 1LSB = 2mV.

VOUT_SCALE_LOOP (29h)

The VOUT_SCALE_LOOP sets the feedback resistor divider ratio. It equals VFB/VOUT. Regardless of the external or internal feedback resistor divider used, the VOUT_SCALE_LOOP should match the actual feedback resistor divider used.

Command	VOUT_SCALE_LOOP															
Format	Direct															
Bit	15	14	13	12	11	10	9	8	7	6	5	4	3	2	1	0
Access	r	r	r	r	r/w	r/w	r/w	r/w	r/w	r/w	r/w	r/w	r/w	r/w	r/w	r/w
Function	x															

The value is unsigned and 1LSB =0.001. The default value is 0.335.

VOUT_MIN (2Bh)

The VOUT_MIN command sets a lower limit on the output voltage the converter can command regardless of any other commands or combinations. The intent of this command is to provide a safeguard against a user accidentally setting the output voltage to a possibly destructive level rather than to be the primary output under-voltage protection.

Command	VOUT_MIN															
Format	Direct															
Bit	15	14	13	12	11	10	9	8	7	6	5	4	3	2	1	0
Access	r	r	r	r	r/w	r/w	r/w	r/w	r/w	r/w	r/w	r/w	r/w	r/w	r/w	r/w
Function	x															

If an attempt is made to program the output voltage lower than the limit set by this command, the device shall respond as follows:

- The commanded output voltage shall be set to VOUT_MIN
- The NONE OF THE ABOVE bit shall be set in the STATUS_BYTE
- The VOUT bit shall be set in the STATUS_WORD
- The VOUT_MAX_MIN warning bit shall be set in the STATUS_VOUT register
- The device shall notify the host

The minimum value of VOUT_MIN is 0.5V. The value is unsigned and 1LSB=2mV. The default value is 0.5V.

VIN_ON (35h)

The VIN_ON command sets the value of the input voltage, in Volts, at which the converter should be turned on if all other required power-up conditions are met. The VIN_ON value can be set between 4V and 15V with a 0.25V increment. The VIN_ON value should always be set higher than the VIN_OFF value, with enough margin, so that there will be no bouncing between VIN_ON and VIN_OFF during power conversion.

Command	VIN_ON															
Format	Direct															
Bit	15	14	13	12	11	10	9	8	7	6	5	4	3	2	1	0
Access	r	r	r	r	r/w	r/w	r/w	r/w	r/w	r/w	r/w	r/w	r/w	r/w	r/w	r/w
Function	x	x	x	x												

The value is unsigned and 1LSB=250mV. The default value is 4V.

VIN_OFF (36h)

The VIN_OFF command sets the value of the input voltage, in Volts, at which the converter, once operation has started, should be turned off. The VIN_OFF value can be set between 3.75V and 14.75V with a 0.25V increment. The VIN_OFF value should be always set lower than VIN_ON value, with enough margin, so that there will be no bouncing between VIN_OFF and VIN_ON during power conversion.

Command	VIN_OFF															
Format	Direct															
Bit	15	14	13	12	11	10	9	8	7	6	5	4	3	2	1	0
Access	r	r	r	r	r/w	r/w	r/w	r/w	r/w	r/w	r/w	r/w	r/w	r/w	r/w	r/w
Function	x	x	x	x												

The value is unsigned and 1 LSB=250mV. The default value is 2.75V.

The corresponding value is 54A.

OT_FAULT_LIMIT (4Fh)

The OT_FAULT_LIMIT is used to configure or read the threshold for the over-temperature fault detection. If the measured temperature exceeds this value, an over-temperature fault will be triggered. The way the MPM3695-25 operates after OTP depends on the AUTO bin in MFR_CTRL (F0h) register; OT fault flags are set in the STATUS_BYTE(78h), STATUS_WORD(79h) respectively, and the ALT# signal is asserted. After the measured temperature falls below the value in this register, the converter will be turned back on with the OPERATION command when the part works in latch off mode. The minimum temperature fault detection time should be less than 20ms. The temperature range is 0 °C to 255°C.

If an OT fault occurs when the temperature rises above this register value, the part will auto-retry when the temperature drops below 20°C than this register value.

Command	OT_FAULT_LIMIT															
Format	Direct															
Bit	15	14	13	12	11	10	9	8	7	6	5	4	3	2	1	0
Access	r	r	r	r	r	r	r	r	r/w	r/w	r/w	r/w	r/w	r/w	r/w	r/w
Function	x				1°C /LSB											

The value is unsigned and 1LSB=1°C. The default value is 0091h. The corresponding value is 145°C.

The OT_FAULT_LIMIT setting value should be lower than 160°C. If the OT_FAULT_LIMIT value is set higher than 160°C, the register value will be neglected, and the MPM3695-25 will enter thermal shutdown when the junction temperature reaches 160°C.

The table below shows the relationship between the direct value and the real word value.

Direct Value	Real World Value / °C
0000 0000	0
0000 0001	1
1111 1111	+255

OT_WARN_LIMIT (51h)

The OT_WARN_LIMIT is used to configure or read the threshold for the over-temperature warning detection. If the sense temperature exceeds this value, an over-temperature warning is triggered, the OT warn flags are set in the STATUS_BYTE(78h), STATUS_WORD(79h) respectively, and the ALT# signal is asserted. The minimum temperature warning detection time should be less than 20ms.

Command	OT_WARN_LIMIT															
Format	Direct															
Bit	15	14	13	12	11	10	9	8	7	6	5	4	3	2	1	0
Access	r	r	r	r	r	r	r	r	r/w	r/w	r/w	r/w	r/w	r/w	r/w	r/w
Function	x				1°C /LSB											

The value is unsigned and 1LSB=1°C. The default value is 007Dh. The corresponding value is 125°C. The OT_WARN_LIMIT setting value should be lower than 160°C. The relationship between the direct value and the real word value is the same with OT_FAULT_LIMIT.

VIN_OV_FAULT_LIMIT (55h)

The VIN_OV_FAULT_LIMIT command is used to configure or read the threshold for the input over-voltage fault detection. If the measured value of VIN rises above the value in this register, the VIN OV fault flags are set in the respective registers. The power stage of the MPM3695-25 will be disabled. When VIN drops below the VIN_OV_FAULT_LIMIT, the MPM3695-25 will be re-enabled.

Command	VIN_OV_FAULT_LIMIT															
Format	Direct															
Bit	15	14	13	12	11	10	9	8	7	6	5	4	3	2	1	0
Access	r	r	r	r	r/w	r/w	r/w	r/w	r/w	r/w	r/w	r/w	r/w	r/w	r/w	r/w
Function	x				500mV/LSB											

The value is unsigned and 1LSB=500mV. The default value is 22h. The corresponding value is 17V.

The VIN_OV_FAULT_LIMIT setting value should not be higher than 18V.

VIN_OV_WARN_LIMIT (57h)

The VIN_OV_WARN_LIMIT command is used to configure or read the threshold for the input over-voltage warning detection. If the measured value of VIN rises above the value in this register, VIN OV warning flags are set in the respective registers, and the ALT# signal is asserted.

Command	VIN_OV_WARN_LIMIT															
Format	Direct															
Bit	15	14	13	12	11	10	9	8	7	6	5	4	3	2	1	0
Access	r	r	r	r	r/w	r/w	r/w	r/w	r/w	r/w	r/w	r/w	r/w	r/w	r/w	r/w
Function	x				500mV/LSB											

The value is unsigned and 1LSB=500mV. The default value is 22h. The corresponding value is 17V.

The VIN_OV_WARN_LIMIT setting value should not be higher than 18V.

VIN_UV_WARN_LIMIT (58h)

The VIN_UV_WARN_LIMIT command is used to configure or read the threshold for the input under-voltage fault detection. If the measured value of VIN falls below the value in this register, VIN UV warning flags are set in the respective registers, and the ALT# signal is asserted.

Command	VIN_UV_WARN_LIMIT															
Format	Direct															
Bit	15	14	13	12	11	10	9	8	7	6	5	4	3	2	1	0
Access	r	r	r	r	r/w	r/w	r/w	r/w	r/w	r/w	r/w	r/w	r/w	r/w	r/w	r/w
Function	x					250mV/LSB										

The value is unsigned and 1LSB=250mV. The default value is 01h.
The VIN_UV_WARN_LIMIT setting value should be higher than 3.3V.

TON_DELAY (60h)

The TON_DELAY command sets the time, in ms, from when a start condition is received (as programmed by the ON_OFF_CONFIG command) until the output voltage starts to rise.

Command	TON_DELAY															
Format	Direct															
Bit	15	14	13	12	11	10	9	8	7	6	5	4	3	2	1	0
Access	r	r	r	r	r	r/w	r/w	r/w	r/w	r/w	r/w	r/w	r/w	r/w	r/w	r/w
Function	x	x	x	x	x	4ms/LSB										

The value is unsigned and 1LSB=4ms. The maximum value is 60h=0100h (1024ms). The default value is 0ms.

TON_RISE (61h)

The TON_RISE command sets the soft-start time, in ms, from when the output starts to rise until the voltage has reached the regulation point.

Command	TON_RISE															
Format	Direct															
Bit	15	14	13	12	11	10	9	8	7	6	5	4	3	2	1	0
Access	r	r	r	r	r/w	r/w	r/w	r/w	r/w	r/w	r/w	r/w	r/w	r/w	r/w	r/w
Function	x	x	x	x	x	1ms/LSB										

The supported values are as follows:

- 000b: 1ms
- 001b: 2ms
- 010b: 4ms
- 011b: 8ms
- 100b and up: 16ms.

The default value is 01h, i.e. 2ms for soft-start time.

TOFF_DELAY (64h)

The TOFF_DELAY command sets the time, in ms, from when a stop condition is received (as programmed by the ON_OFF_CONFIG command) until the MPM3695-25 disables its power stage.

command	TON_DELAY															
format	Direct															
Bit	15	14	13	12	11	10	9	8	7	6	5	4	3	2	1	0
Access	r	r	r	r	r	r/w	r/w	r/w	r/w	r/w	r/w	r/w	r/w	r/w	r/w	r/w
Function	x	x	x	x	x	4ms/LSB										

The value is unsigned and 1LSB=4ms. The maximum value is 64h=0100h(1024ms) and the default value is 0ms.

STATUS BYTE (78h)

The STATUS_BYTE command returns the value of a number of flags indicating the state of the MPM3695-25. Access to this command should use the read byte protocol. To clear bits in this register, the underlying fault should be removed and a CLEAR_FAULTS command issued.

Bits	Name	Behavior	Default Set	Description
[7]	Reserved		0	Always read as 0
[6]	OFF	Live	0	0 Part enabled 1 Part disabled, this can be triggered from: OC fault, OT fault, BAD FET fault, UV/OV fault, or the operation command to turn off
[5]	VOUT_OV		0	An output over-voltage fault has occurred.
[4]	IOUT_OC_FAULT	Latched	0	0 Over-current fault detected 1 No over-current fault detected
[3]	VIN_UV		0	Not supported, always read as 0
[2]	OT_FAULT_WARN	Live	0	0 No over-temperature warning or fault detected 1 Over-temperature warning or fault detected
[1]	CUMM_ERROR	Latched	0	0 No communication error detected 1 Communication error detected
[0]	NONE_OF_THE_ABOVE	Live	0	0 No other fault or warning 1 Fault or warning not listed in bits [7:1] has occurred.

STATUS WORD (79h)

The STATUS_WORD returns the value of a number of flags indicating the state of the MPM3695-25. To clear bits in this register, the underlying fault should be removed and a CLEAR_FAULTS command issued.

Bits	Name	Behavior	Default Set	Description
[15]	VOUT_STATUS	Live	0	0 No output fault or warning 1 Output fault or warning
[14]	IOUT_STATUS	Live	0	0 No Iout fault 1 Iout fault
[13]	VIN_STATUS	Live	0	0 No VIN fault 1 VIN fault, at the period when Vin starts up, the initial flag is 1 before the Vin passes the UVLO threshold. It is then cleared once the Vin passes UVLO
[12]	MFR_STATUS		0	Always read as 0
[11]	POWER_GOOD#	Live	0	0 Power good signal is asserted 1 Power good signal is not asserted
[10]	Reserved		0	Always read as 0
[9]	Reserved		0	Always read as 0
[8]	UNKNOWN	Latched	0	0 No other fault has occurred 1 A fault type not specified in bits [15:1] of the STATUS_WORD has been detected.
Low Byte	STATUS_BYTE			STATUS_BYTE is the low byte of the STATUS_WORD

STATUS_VOUT (7Ah)

The STATUS_VOUT command returns one data byte with contents as follows:

Bits	Name	Behavior	Default Set	Description
[7]	VOUT_OV_FAULT	Live	0	0 No output OV fault 1 Output OV fault
[6]	Reserved	Latched	0	Always read as 0
[5]	Reserved	Latched	0	Always read as 0
[4]	VOUT_UV_FAULT	Live	0	0 No output UV fault 1 output UV fault
[3]	VOUT_MAX_MIN	Live	0	0 No VOUT_MAX, VOUT_MIN warning 1 An attempt has been made to set the output voltage to a value higher than allowed by the VOUT_MAX command or lower than the limit allowed by the VOUT_MIN command.
[2]	Reserved		0	Always read as 0
[1]	Reserved		0	Always read as 0
[0]	UNKNOWN	Latched	0	0 No other fault has occurred 1 A fault type not specified in bits [15:1] of the STATUS_WORD has been detected.

STATUS_IOUT (7Bh)

Command	STATUS_IOUT							
Format	Unsigned binary							
Bit	7	6	5	4	3	2	1	0
Access	r	r	r	r	r	r	r	r
Function	IOUT_OC	IOUT_OC & VOUT_UV	IOUT_OC_WARNING	x	x	x	x	x
Default value	0	0	0	0	0	0	0	0

STATUS_INPUT (7Ch)

The STATUS_INPUT returns the value of flags indicating the input voltage status of the MPM3695-25. To clear bits in this register, the underlying fault or warning should be removed and a CLEAR_FAULTS command issued.

Bits	Name	Behavior	Default Set	Description
[7]	VIN_OV_FAULT	R Latched	0	0 means no over-voltage detected on the OV pin 1 means over-voltage detected on the OV pin
[6]	VIN_OV_WARN	R Latched	0	0 means over-voltage condition on VIN has not occurred 1 means over-voltage condition on VIN has occurred
[5]	VIN_UV_WARN	R Latched	0	0 means under-voltage condition on VIN has not occurred 1 means under-voltage condition on VIN has occurred
[4:0]	Reserved	r	0	Always read as 0000

STATUS_TEMPERATURE (7Dh)

The STATUS_TEMPERATURE returns the value of flags indicating the VIN over-voltage or under-voltage of the MPM3695-25. To clear bits in this register, the underlying fault should be removed and a CLEAR_FAULTS command issued.

Bits	Name	Behavior	Default Set	Description
[7]	OT_FAULT	R Latched	0	1 means over-temperature fault has occurred
[6]	OT_WARNING	R Latched	0	1 means over-temperature warning has occurred
[5:0]	Reserved	R	0	Always read as 0

STATUS_CML (7Eh)

Command	STATUS_CML							
Format	Unsigned binary							
Bit	7	6	5	4	3	2	1	0
Access	r	r	r	r	r	r	r	r
Function	Invalid unsupported command	Invalid / unsupported data	x	Memory fault detected	x	x	Other fault	Memory busy

READ_VIN (88h)

The READ_VIN command returns the 10-bit measured value of the output voltage.

Command	READ_VOUT															
Format	Direct															
Bit	15	14	13	12	11	10	9	8	7	6	5	4	3	2	1	0
Access	r	r	r	r	r	r	r	r	r	r	r	r	r	r	r	r
Function	x					25mV /LSB										

READ_VOUT (8Bh)

The READ_VOUT command returns the 10-bit measured value of the output voltage.

Command	READ_VOUT															
Format	Direct															
Bit	15	14	13	12	11	10	9	8	7	6	5	4	3	2	1	0
Access	r	r	r	r	r	r	r	r	r	r	r	r	r	r	r	r
Function	x					1.25mV /LSB										

READ_IOUT (8Ch)

The READ_VOUT command returns the 10-bit measured value of the output current. This value is also used for the IOUT_OC_WARNING and then affects the STATUS_IOUT.

Command	READ_IOUT															
Format	Direct															
Bit	15	14	13	12	11	10	9	8	7	6	5	4	3	2	1	0
Access	r	r	r	r	r	r	r	r	r	r	r	r	r	r	r	r
Function	x					62.5mA/LSB										

READ_TEMPERATURE_1 (8Dh)

The READ_TEMPERATURE_1 command returns the internal sensed temperature. This value is also used internally for the over-temperature fault and warning detection. This data has a range of -255°C to +255°C.

Command	READ_TEMPERATURE_1															
Format	Direct															
Bit	15	14	13	12	11	10	9	8	7	6	5	4	3	2	1	0
Access	r	r	r	r	r	r	r/w	r/w	r/w	r/w	r/w	r/w	r/w	r/w	r/w	r/w
Function	x					Sign	1°C /LSB									

READ_TEMPERATURE is a 2-byte, twos complement integer. The bit9 is the sign bit. The default value is 0032h. The corresponding value is 25°C.

The table below shows the relationship between the direct value and the real word value.

Sign	Direct Value	Real World Value / °C
0	0 0000 0000	0
0	0 0000 0001	1
0	1 1111 1111	+511
1	0 0000 0001	-511
1	1 1111 1111	-1

PMBUS_REVISION (98h)

The PMBUS_REVISION command returns the protocol revision we used. Access to this command should use the read byte protocol. Bits [7:4] indicate the PMBus revision of specification Part I to which the device is compliant. Bits [3:0] indicate the revision of specification Part II to which the device is compliant.

Command	PMBUS_REVISION							
Format	Unsigned binary							
Bit	7	6	5	4	3	2	1	0
Access	r	r	r	r	r	r	r	r
Default value	0	0	1	0	0	0	1	0

Bits [7:4] always read as 0010, specification PMBus Part I Revision 1.3.

Bits [3:0] always read as 0011, specification PMBus Part II Revision 1.3.

MFR_ID (99h)

The MFR_ID command returns the company identification.

Byte	Byte Name	Value	Description
0	Byte Count	0x03	Always reads as 0x03, the number of data bytes that the block read command expects to read.
1	Character 1	0x4D or "M"	Always reads as 0x4D.
2	Character 2	0x50 or "P"	Always reads as 0x50.
3	Character 3	0x53 or "S"	Always reads as 0x53.

MFR_DATE (9Dh)

The MFR_4_DIGIT sets the unique 4-digit number to identify different MTP default configurations. The MFR_4_DIGIT has a total of 6 bytes.

Byte	Byte Name	Value
0	Character 0	31h
1	Character 1	36h~39h
2	Character 2	30h, 31h
3	Character 3	30h~30F
4	Character 4	30h~33h
5	Character 5	30h~3Fh

The default 4-digit number for the MPM3695-25 is -0000, which corresponds 31h 36h 30h 30h 30h 30h (Byte 0~5).

MFR_CTRL_COMP (D0h)

The MFR_CTRL_COMP command is used to adjust the loop compensation of the MPM3695-25.

Bits	Name	Access	Behavior	Default Set	Description	
[7:5]	Reserved	R/W	Live	0000		
[4]	Cff	R/W	Live	0	0: 20pF. 1: 50pF.	
[3:1]	RAMP	R/W	Live	110	EAh[3]=0 (single phase)	EAh[3]=1 (Multi-phase)
					000: 5.6mV RAMP	000: 8.6mV RAMP
					001: 9.8mV RAMP	001: 15mV RAMP
					010: 18mV RAMP	010: 27mV RAMP
					011: 30mV RAMP	011: 45mV RAMP
					100: 8.5mV RAMP	100: 13mV RAMP
					101: 15.1mV RAMP	101: 23mV RAMP
					110: 27mV RAMP	110: 41mV RAMP
[0]	Slave Fault Detection	R/W	Live	1	0:Slave-phase fault detection is enabled; 1:Slave-phase fault detection is disabled.	

Bit[4] (Cff): Set the feed-forward capacitance when the internal feedback resistor divider is selected.

Bit[3:1]: Set the internal RAMP compensation to stabilize the loop.

Bit[0]: Enable or disable the slave fault detection function through the PG pin.

MFR_CTRL_VOUT (D1h)

The MFR_CTRL_VOUT command is used to adjust the output voltage of the MPM3695-25.

Bits	Name	Access	Behavior	Default Set	Description
[7]	Reserved	R/W	Live	0	
[6]	Vo discharge	R/W	Live	1	1: Output voltage discharge at CTRL low. 0: No active output voltage discharge.
[5:2]	PG delay	R/W	Live	0000	0000:2ms 0001: 3ms 1110: 15ms 1111: 1ms
[1:0]	VO_RANGE	R/W	Live	10	00: Vo/Vref=1, Vref=0.5~0.672V, LSB=2mV

MFR_CTRL_OPS (D2h)

The MFR_CTRL_OPS command is used to set the switching frequency and light-load operation mode of the MPM3695-25.

Bits	Name	Access	Behavior	Default Set	Description
[7:3]	Reserved			00000	
[2:1]	SWITCHING_FREQUENCY	R/W	Live	01	00: Set the fs to 400KHz. 01: Set the fs to 600KHz. 10: Set the fs to 800KHz. 11: Set the fs to 1000KHz.
[0]	SKIP_CCM (SYNC)	R/W	Live	1	0: Pulse-skip mode at light load. 1: Forced CCM at light load.

MFR_ADDR_PMBUS (D3h)

Command	MFR_ADDR_PMBUS							
Format	Direct							
Bit	7	6	5	4	3	2	1	0
Access	r/w	r/w	r/w	r/w	r/w	r/w	r/w	r/w
Function	enable	ADDR						

Enable Bit

1- The address is decided by MFR_ADDR_PMBUS [6:0]

0- The address is decided by ADDR pin.

MFR_VOUT_UV_OV_FAULT_LIMIT (D4h)

This MFR_VOUT_UV_OV_FAULT_LIMIT command sets the thresholds for UVP and OVP.

Bits	Name	Access	Behavior	Default Set	Description
[7:4]	Reserved			0000	
[3:2]	UV_TH	R/W	Live	01	00:10%*V _{REF} 01:50%*V _{REF} 10:80%*V _{REF} 11:102.5%*V _{REF}
[1:0]	OV_TH	R/W	Live	01	00:115%*V _{REF} 01:120%*V _{REF} 10:125%*V _{REF} 11:130%*V _{REF}

The thresholds of UVP and OVP are relative values of the reference voltage.

MFR_OVP_NOCP_SET (D5h)

The MFR_OVP_SET command sets the responses of the output voltage OVP and the input voltage OVP.

Bits	Name	Access	Behavior	Default Set	Description
[7:4]	Reserved			0000	
[3]	DELAY_NOCP (D400)	R/W	Live	0	0: 100ns delay after NOCP 1: 200ns delay after NOCP
[2]	NOCP	R/W	Live	0	0: Set NOCP to -10A. 1: Set NOCP to -15A.
[1:0]	VOUT_OV_Response	R/W	Live	10	00: Latch-off with output voltage discharge 01: Latch-off without output voltage discharge 10: HICCUP with output voltage discharge 11: HICCUP without output voltage discharge

The bit[1:0] of MFR_VOUT_OVP_NOCP_SET command tells the converter what action to take in response to an output over-voltage fault. The device also does the following:

- Sets the VOUT_OV bit in the STATUS_BYTE
- Sets the VOUT bit in the STATUS_WORD
- Sets the VOUT over-voltage fault bit in the STATUS_VOUT command
- Notifies the host by asserting ALERT pin

There are four OVP response modes. The mode can be chosen through bit[1:0] of MFR_VOUT_OVP_NOCP_SET:

- **Latch-off with output discharge:** Once it hits the OV entry threshold, the LSFET is ON until it hits NOCP, then it is OFF for a fixed time, and then it is ON again. It operates in this manner until FB drops below the OVP exit threshold set by register D4[3:2], then the LSFET is off. If FB rises above the OV entry threshold again, the LSFET is turned on again to discharge the output voltage. However, the converter won't attempt to restart until there is power recycle either in Vin, VCC, or CTRL.
- **Latch-off without output discharge (only effective in DCM):** Once it hits the OV entry threshold, the LSFET is ON. When the inductor current crosses zero, the converter enters high-z mode (output disabled). The converter stops discharging the output voltage. The converter won't attempt to restart until there is power recycle either in Vin, VCC, or CTRL.
- **HICCUP with output discharge:** Once it hits the OV entry threshold, the LSFET is ON until it hits NOCP, then it is OFF for a fixed time, and then it is ON again. It operates in this manner until FB drops below the OVP exit threshold set by register D4[3:2], and then the LSFET is OFF. A new SS will be initiated.
- **HICCUP without output discharge:** Once it hits OV, the LSFET is ON until it hits NOCP, then it initiates a new SS.

MFR_OT_OC_SET (D6h)

This MFR_OT_OC_SET command sets the responses of the OCP and the responses and hysteresis of the OTP. It's a 1 byte command.

Bits	Name	Access	Behavior	Default Set	Description
[7:4]	Reserved			0000	
[3]	OC_response	R/W	Live	00	0:Latch-off, never retry 1:Retry
[2:1]	OT_hyst	R/W	Live	00	00: 20°C 01: 25°C 10: 30°C 11: 35°C
[0]	OT_Response	R/W	Live	0	0:Latch-off, never retry 1:Retry after the temp drops by the value set by bits [2:1]

The MFR_OT_OC_SET command tells the converter what kind of action to take in response to an over-temperature fault and a total output over-current fault.

MFR_OC_PHASE_LIMIT (D7h)

The MFR_OC_PHASE_LIMIT command sets the inductor valley current limit of each individual phase. This is a cycle-by-cycle current limit. After 31 consecutive cycles of OC, it triggers OCP. It's a 1 byte command.

Bits	Name	Access	Behavior	Default Set	Description
[7:5]	Reserved			000	
[4:0]	OC_limit	R/W	Live	12h	Current limit. 1.5A/LSB;[00000]=0A.

The value is unsigned and 1LSB=1.5A. The default value is 27A.

MFR_HICCUP_ITV_SET (D8h)

The MFR_HICCUP_ITV_SET command sets the interval of HICCUP during OCP. It's a 1 byte command.

Bits	Name	Access	Behavior	Default Set	Description
[7:6]	Reserved			00	
[5:0]	Hiccup_itv	R/W	Live	0	OC fault hiccup interval time. 1 LSB=4ms

MFR_PGOOD_ON_OFF_LIMIT (D9h)

The MFR_PGOOD_ON_OFF_LIMIT command sets the thresholds for PGOOD on and off.

Bits	Name	Access	Behavior	Default Set	Description
[7:4]	Reserved			0000	
[3:2]	PG_OFF	R/W	Live	01	00:69%*V _{REF} 01:74%*V _{REF} 10:79%*V _{REF} 11:84%*V _{REF}
[1:0]	PG_ON	R/W	Live	01	00:90%*V _{REF} 01:92.5%*V _{REF} 10:95%*V _{REF} 11:97.5%*V _{REF}

Any fault condition will pull PG low.

MFR_VOUT_STEP (DAh)

The MFR_VOUT_STEP command sets the slew rate of the output voltage transition.

Bits	Name	Access	Behavior	Default Set	Description
[7:4]	Reserved			0000	
[3:0]	Vout_step	R/W	Live	0000	0000=20us/2mV 0001=22.5us/2mV 0010=25us/2mV 0011=27.5us/2mV 0100=30.2us/2mV 0101=32.5us/2mV 0110=35us/2mV 0111=37.5us/2mV 1000=40us/2mV

MFR_LOW_POWER (E5h)

The MFR_LOW_POWER is used to enable/disable the slave phase(s) in a multi-phase configuration.

Bits	Name	Access	Behavior	Default Set	Description
[7:2]	Reserved			000000	
[1]	LP_PS#	R/W	Live	0	0: Low power mode is disabled regardless of PS#. 1: Low power mode is enabled when PS# is low, and is disabled when PS# is high
[0]	LP_PMBus	R/W	Live	0	0: Low power mode is disabled 1: Low power mode is enabled

The slave phase(s) can be enabled/disabled directly through bit[0] of the MFR_LOW_POWER command. And when bit[1] of MFR_LOW_POWER is set to “1,” the slave phase(s) can be enabled/disabled by the PS# pin.

The master phase can't be disabled through the MFR_LOW_POWER command.

MFR_CTRL (EAh)

The bits of the MFR_CTRL are used to enable/disable the functions below:

Bits	Name	Access	Behavior	Default Set	Description
[15:11]	Reserved	R	Live		For manufacturer use only
[10]	total_oc_hiccup_interval	R/W	Live	0	0: Fixed OCP HICCUP interval 1: Adjustable OCP HICCUP
[9]	osm	R/W	Live	0	0: Enable OSM (Output Sink Mode). 1: Disable OSM
[8:4]	reserved	R	Live		For manufacturer use only
[3]	phase_operation	R/W	Live		0: For single-phase operation 1: For multi-phase operation
[2:0]	reserved	R	Live		For manufacturer use only

bit[10], bit[9] and bit[3] are user accessible for the MFR_CTRL (EAh). The other bits are reserved for manufacturer use only.

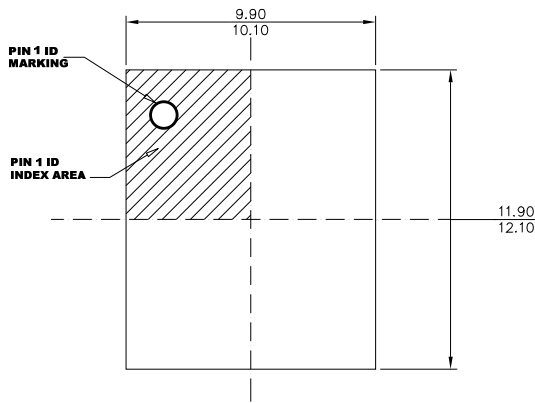
Bit[10] total_oc_hiccup_interval: Chooses whether the interval during OCP HICCUP can be changed through register D8h.

Bit[9] osm enables or disables the Output Sink Mode (OSM) function.

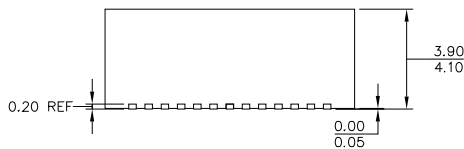
Bit[3] phase operation is used to choose single or multi-phase operation. The selection of this bit will affect the actual RAMP amplitude chosen through register D0h[3:1]. See register description of MFR_CTRL_COMP (D0h).

PACKAGE INFORMATION

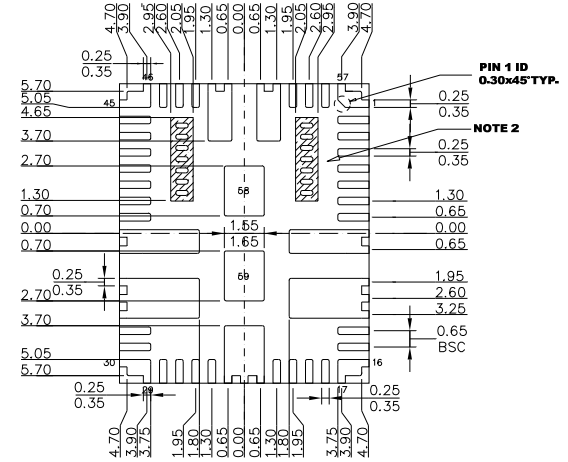
QFN-59 (10mmx12mmx4mm)



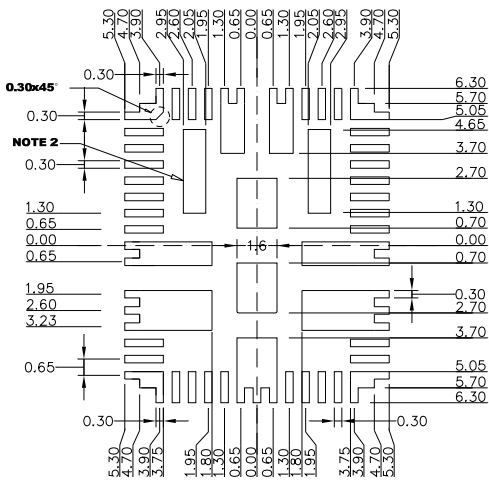
TOP VIEW



SIDE VIEW



BOTTOM VIEW



RECOMMENDED LAND PATTERN

NOTE:

- 1) ALL DIMENSIONS ARE IN MILLIMETERS.
- 2) SHADED AREA IS THE KEEP-OUT ZONE. ANY PCB METAL TRACE AND VIA ARE NOT ALLOWED TO CONNECT TO THIS AREA ELECTRICALLY OR MECHANICALLY.
- 3) LEAD COPLANARITY SHALL BE 0.08 MILLIMETERS MAX.
- 4) JEDEC REFERENCE IS MO-220.
- 5) DRAWING IS NOT TO SCALE.

NOTICE: The information in this document is subject to change without notice. Users should warrant and guarantee that third party Intellectual Property rights are not infringed upon when integrating MPS products into any application. MPS will not assume any legal responsibility for any said applications.

X-ON Electronics

Largest Supplier of Electrical and Electronic Components

Click to view similar products for [Switching Voltage Regulators](#) category:

Click to view products by [Monolithic Power Systems](#) manufacturer:

Other Similar products are found below :

[FAN53610AUC33X](#) [FAN53611AUC123X](#) [FAN48610BUC33X](#) [FAN48610BUC45X](#) [FAN48617UC50X](#) [R3](#) [430464BB](#) [KE177614](#)
[MAX809TTR](#) [NCV891234MW50R2G](#) [NCP81103MNTXG](#) [NCP81203PMNTXG](#) [NCP81208MNTXG](#) [NCP81109GMNTXG](#)
[SCY1751FCCT1G](#) [NCP81109JMNTXG](#) [AP3409ADNTR-G1](#) [NCP81241MNTXG](#) [LTM8064IY](#) [LT8315EFE#TRPBF](#) [NCV1077CSTBT3G](#)
[XCL207A123CR-G](#) [MPM54304GMN-0002](#) [MPM54304GMN-0003](#) [XDPE132G5CG000XUMA1](#) [DA9121-B0V76](#) [MP8757GL-P](#)
[MIC23356YFT-TR](#) [LD8116CGL](#) [HG2269M/TR](#) [OB2269](#) [XD3526](#) [U6215A](#) [U6215B](#) [U6620S](#) [LTC3803ES6#TR](#) [LTC3803ES6#TRM](#)
[LTC3412IFE](#) [LT1425IS](#) [MAX25203BATJA/VY+](#) [MAX77874CEWM+](#) [XC9236D08CER-G](#) [ISL95338IRTZ](#) [MP3416GJ-P](#) [BD9S201NUX-](#)
[CE2](#) [MP5461GC-Z](#) [MPQ4415AGQB-Z](#) [MPQ4590GS-Z](#) [MCP1603-330IMC](#) [MCP1642B-18IMC](#)