

DESCRIPTION

The MPQ2013A is a low power linear regulator that supplies power to systems with high voltage batteries. It includes a wide 2.5V to 40V input range, low dropout voltage and low quiescent supply current. The low quiescent current and low dropout voltage allow operations at extremely low power levels. Therefore, the MPQ2013A are ideal for the low power microcontrollers and the battery-powered equipments.

The MPQ2013A provides wide variety of fixed output voltage options (if request): 1.8V, 1.9V, 2.3V, 2.5V, 3.0V, 3.3V, 3.45V, 5.0V; and also provides the output adjustable option (from 1.215V to 15V).

The regulator output current is internally limited and the device is protected against over-load and over-temperature conditions.

The MPQ2013A also includes thermal shutdown and current limiting fault protection, and is available in QFN-6 (2mmx2mm), and QFN-8 (3mmx3mm) packages.

FEATURES

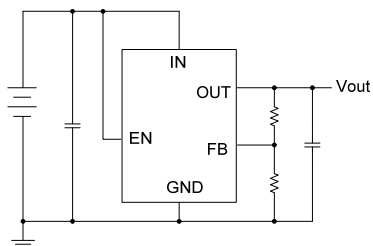
- 2.5V to 40V Input Range
- 3.3 μ A Quiescent Supply Current
- Stable With Low-value Output Ceramic Capacitor (> 0.47 μ F)
- 150mA Specified Current for QFN-6 and QFN-8 Packages
- 620mV Dropout at 150mA Load
- Available in Fixed and Adjustable Output (1.215 V to 15 V) Versions
- Output \pm 2% Accuracy for QFN-8 Package
Output \pm 4% Accuracy for QFN-6 Package
- Specified Current Limit
- Thermal Shutdown
- -40°C to +150°C Specified Junction Temperature Range
- Available in QFN-6 (2mmx2mm), or QFN-8 (3mmx3mm) Packages
- Available in AEC-Q100 Grade 1

APPLICATIONS

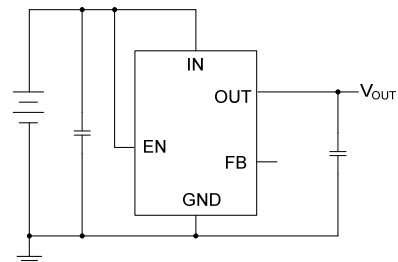
- Industrial/Automotive Applications
- Portable/Battery-Powered Equipment
- Ultra low power Microcontrollers
- Cellular Handsets
- Medical Imaging

All MPS parts are lead-free and adhere to the RoHS directive. For MPS green status, please visit MPS website under Products, Quality Assurance page. "MPS" and "The Future of Analog IC Technology" are registered trademarks of Monolithic Power Systems, Inc.

TYPICAL APPLICATION



Output Adjustable Version

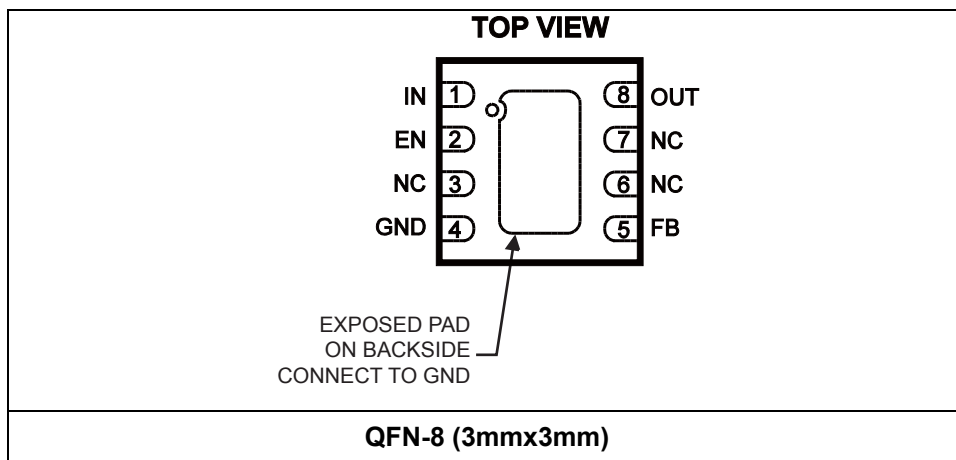


Output Fixed Version

ORDERING INFORMATION

Part Number*	Package	Top Marking
MPQ2013AGQ	QFN-8 (3mmx3mm)	<i>See Below</i>
MPQ2013AGQ-18	QFN-8 (3mmx3mm)	
MPQ2013AGQ-25	QFN-8 (3mmx3mm)	
MPQ2013AGQ-33	QFN-8 (3mmx3mm)	
MPQ2013AGQ-5	QFN-8 (3mmx3mm)	
MPQ2013AGQ-AEC1	QFN-8 (3mmx3mm)	
MPQ2013AGQ-18-AEC1	QFN-8 (3mmx3mm)	
MPQ2013AGQ-25-AEC1	QFN-8 (3mmx3mm)	
MPQ2013AGQ-33-AEC1	QFN-8 (3mmx3mm)	
MPQ2013AGQ-5-AEC1	QFN-8 (3mmx3mm)	

* For Tape & Reel, add suffix -Z (e.g. MPQ2013AGQ-Z)



TOP MARKING

AJDY
LLL

AJD: part code of MPQ2013AGQ;
Y: year code;
LLL: lot number;

AZBY
LLL

AZB: part code of MPQ2013AGQ-18;
Y: year code;
LLL: lot number;

AQNY
LLL

AQN: part code of MPQ2013AGQ-25;
Y: year code;
LLL: lot number;

AJZY
LLL

AJZ: part code of MPQ2013AGQ-33;
Y: year code;
LLL: lot number;

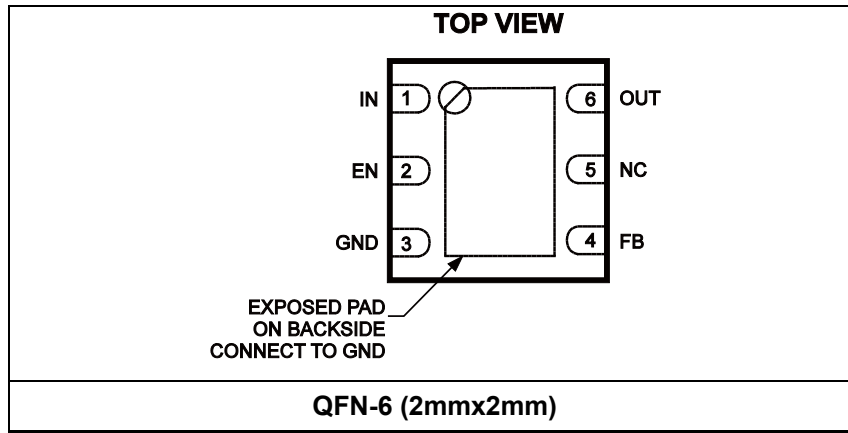
ALJY
LLL

ALJ: part code of MPQ2013AGQ-5;
Y: year code;
LLL: lot number;

ORDERING INFORMATION

Part Number*	Package	Top Marking
MPQ2013AGG	QFN-6 (2mmx2mm)	See Below
MPQ2013AGG-33	QFN-6 (2mmx2mm)	
MPQ2013AGG-5	QFN-6 (2mmx2mm)	
MPQ2013AGG-AEC1	QFN-6 (2mmx2mm)	
MPQ2013AGG-33-AEC1	QFN-6 (2mmx2mm)	
MPQ2013AGG-5-AEC1	QFN-6 (2mmx2mm)	

* For Tape & Reel, add suffix -Z (e.g. MPQ2013AGG-Z)



TOP MARKING

—
CDY
LLL

CD: part code of MPQ2013AGG;
Y: year code;
LLL: lot number;

—
CPY
LLL

CP: part code of MPQ2013AGG-33;
Y: year code;
LLL: lot number;

—
FRY
LLL

FR: part code of MPQ2013AGG-5;
Y: year code;
LLL: lot number;

ABSOLUTE MAXIMUM RATINGS ⁽¹⁾

IN, EN	-0.3V to +42V
OUT	-0.3V to +17V
FB	-0.3V to +6V
Junction Temperature	+150°C
Lead Temperature	+260°C
Storage Temperature.....	-65°C to +150°C
Continuous Power Dissipation (T _A = +25°C) ⁽²⁾	
QFN-8(3mmx3mm).....	2.08W
QFN-6(2mmx2mm).....	1.25W

ESD SUSCEPTIBILITY ⁽³⁾

HBM (Human Body Model)	2kV
MM (Machine Model)	200V

Recommended Operating Conditions ⁽⁴⁾

Supply Voltage V _{IN}	2.5V to 40V
Output Voltage V _{OUT}	1.215V to 15V
Operating Temperature.....	
..... T _A = -40°C to +125°C, T _A ≤ T _J ≤ +150°C	

Thermal Resistance ⁽⁵⁾	θ_{JA}	θ_{JC}
QFN-6 (2mmx2mm).....	80.....	16... °C/W
QFN-8 (3mmx3mm).....	48.....	11... °C/W

Notes:

- 1) Exceeding these ratings may damage the device.
- 2) The maximum allowable power dissipation is a function of the maximum junction temperature T_J (MAX), the junction-to-ambient thermal resistance θ_{JA}, and the ambient temperature T_A. The maximum allowable continuous power dissipation at any ambient temperature is calculated by P_D (MAX) = (T_J (MAX)-T_A)/θ_{JA}. Exceeding the maximum allowable power dissipation will cause excessive die temperature, and the regulator will go into thermal shutdown. Internal thermal shutdown circuitry protects the device from permanent damage.
- 3) Devices are ESD sensitive. Handling precaution recommended.
- 4) The device is not guaranteed to function outside of its operating conditions.
- 5) Measured on JESD51-7, 4-layer PCB.

ELECTRICAL CHARACTERISTICS

$V_{EN}=V_{IN}$, $C_{OUT} = 1\mu F$, $T_A = -40^{\circ}C$ to $+125^{\circ}C$, $T_A \leq T_J \leq +150^{\circ}C$, unless otherwise noted. Typical values are at $T_A = +25^{\circ}C$.

Parameter	Symbol	Condition	Min	Typ	Max	Units
Input Voltage	V_{IN}		2.5		40	V
Output Voltage Range	V_{OUT}		1.215		15	V
GND Pin Current	I_{GND}	MPQ2013AGQ, $0 < I_{OUT} < 1mA$, $V_{IN}=2.5V$ to $40V$, $V_{OUT}= 5V$ ($V_{IN} \geq 6V$) or FB ($V_{IN} < 6V$)		3.3	9	μA
		MPQ2013AGQ, $1mA < I_{OUT} < 30mA$, $V_{IN}=2.5V$ to $15V$, $V_{OUT}= 5V$ ($V_{IN} \geq 6V$) or FB ($V_{IN} < 6V$)		11	22	
		MPQ2013AGQ, $30mA < I_{OUT} < 150mA$, $V_{IN}=3V$, $V_{OUT}=FB$		32	50	
		MPQ2013AGQ-18, $0mA < I_{OUT} < 1mA$, $V_{IN}=2.8V$ to $40V$		4.4	10	μA
		MPQ2013AGQ-18, $1mA < I_{OUT} < 30mA$, $V_{IN}=2.8V$ to $15V$		15	25	
		MPQ2013AGQ-18, $30mA < I_{OUT} < 150mA$, $V_{IN}=2.8V$		35	50	
		MPQ2013AGQ-25, $0mA < I_{OUT} < 1mA$, $V_{IN}=3.5V$ to $40V$		4.4	10	μA
		MPQ2013AGQ-25, $1mA < I_{OUT} < 30mA$, $V_{IN}=3.5V$ to $15V$		15	25	
		MPQ2013AGQ-25, $30mA < I_{OUT} < 150mA$, $V_{IN}=3.5V$		35	50	
		MPQ2013AGQ-33, $0 < I_{OUT} < 1mA$, $V_{IN}=4.3V$ to $40V$		4.4	10	μA
		MPQ2013AGQ-33, $1mA < I_{OUT} < 30mA$, $V_{IN}=4.3V$ to $15V$		15	25	
		MPQ2013AGQ-33, $30mA < I_{OUT} < 150mA$, $V_{IN}=4.3V$		35	50	
		MPQ2013AGQ-5, $0 < I_{OUT} < 1mA$, $V_{IN}=6V$ to $40V$		4.4	10	μA
		MPQ2013AGQ-5 $1mA < I_{OUT} < 30mA$, $V_{IN}=6V$ to $15V$		15	25	
		MPQ2013AGQ-5, $30mA < I_{OUT} < 150mA$, $V_{IN}=6V$		35	50	
		MPQ2013AGG, $0 < I_{OUT} < 1mA$, $V_{IN}=2.5V$ to $40V$, $V_{OUT}= 5V$ ($V_{IN} \geq 6V$) or FB ($V_{IN} < 6V$)		3.3	9	μA
		MPQ2013AGG, $1mA < I_{OUT} < 30mA$, $V_{IN}=2.5V$ to $15V$, $V_{OUT}= 5V$ ($V_{IN} \geq 6V$) or FB ($V_{IN} < 6V$)		11	22	
		MPQ2013AGG, $30mA < I_{OUT} < 150mA$, $V_{IN}=3V$, $V_{OUT}=FB$		32	50	

ELECTRICAL CHARACTERISTICS (continued)

$V_{EN}=V_{IN}$, $C_{OUT} = 1\mu F$, $T_A = -40^{\circ}C$ to $+125^{\circ}C$, $T_A \leq T_J \leq +150^{\circ}C$, unless otherwise noted. Typical values are at $T_A = +25^{\circ}C$.

Parameter	Symbol	Condition	Min	Typ	Max	Units
GND Pin Current	I_{GND}	MPQ2013AGG-33, $0 < I_{OUT} < 1mA$, $V_{IN}=4.3V$ to $40V$		4.4	10	μA
		MPQ2013AGG-33, $1mA < I_{OUT} < 30mA$, $V_{IN}=4.3V$ to $15V$		15	25	
		MPQ2013AGG-33, $30mA < I_{OUT} < 150mA$, $V_{IN}=4.3V$		35	50	
		μA	MPQ2013AGG-5, $0 < I_{OUT} < 1mA$, $V_{IN}=6V$ to $40V$		4.4	10
			MPQ2013AGG-5, $1mA < I_{OUT} < 30mA$, $V_{IN}=6V$ to $15V$		15	25
			MPQ2013AGG-5, $30mA < I_{OUT} < 150mA$, $V_{IN}=6V$		35	50
Shutdown Supply Current	I_{SHDN}	$V_{EN}=0$, $V_{IN}=2.5$ to $40V$		3	9	μA
Load Current Limit	I_{LIMIT}	MPQ2013AGQ, MPQ2013AGQ-5, MPQ2013AGG, MPQ2013AGG-5, $V_{OUT} = 0V$, $V_{IN}=6V$ to $15V$	160	270	400	mA
		MPQ2013AGQ-33, MPQ2013AGG-33, $V_{OUT} = 0V$, $V_{IN}=4.3V$ to $15V$				
		MPQ2013AGQ-18, $V_{OUT}=0V, V_{IN}=3.5V$ to $15V$				
		MPQ2013AGQ-25, $V_{OUT}=0V, V_{IN}=3.5V$ to $15V$				
Output Voltage Accuracy		MPQ2013AGQ-18, $V_{IN}=2.8V, I_{OUT}=0$	1.746	1.8	1.854	V
		MPQ2013AGQ-18, $V_{IN}=2.8V, I_{OUT}=0$, $T_A = +25^{\circ}C$	1.773	1.8	1.827	
		MPQ2013AGQ-25, $V_{IN}=3.5V, I_{OUT}=0$	2.45	2.5	2.55	
		MPQ2013AGQ-33, $V_{IN} = 4.3V, I_{OUT}=0$	3.234	3.3	3.366	
		MPQ2013AGQ-5, $V_{IN}=6V, I_{OUT}=0$	4.9	5	5.1	
		MPQ2013AGG-33, $V_{IN}=4.3V, I_{OUT}=0$	3.168	3.3	3.432	
		MPQ2013AGG-33, $V_{IN}=4.3V, I_{OUT}=0$, $T_A = +25^{\circ}C$	3.251	3.3	3.349	
		MPQ2013AGG-5, $V_{IN}=6V, I_{OUT}=0$	4.8	5	5.2	
		MPQ2013AGG-5, $V_{IN}=6V, I_{OUT}=0$, $T_A = +25^{\circ}C$	4.925	5	5.075	
FB Voltage	V_{FB}	MPQ2013AGQ, MPQ2013AGQ-25, MPQ2013AGQ-33, MPQ2013AGQ-5, $V_{OUT}=FB, V_{IN}=5V, I_{OUT}=0$	1.191	1.215	1.239	V
		MPQ2013AGQ-18, $V_{OUT}=FB, V_{IN}=5V, I_{OUT}=0$	1.179	1.215	1.251	
		MPQ2013AGQ-18, $V_{OUT}=FB, V_{IN}=5V, I_{OUT}=0$ $T_A = +25^{\circ}C$	1.197	1.215	1.233	

ELECTRICAL CHARACTERISTICS (continued)

$V_{EN}=V_{IN}$, $C_{OUT} = 1\mu F$, $T_A = -40^{\circ}C$ to $+125^{\circ}C$, $T_A \leq T_J \leq +150^{\circ}C$, unless otherwise noted. Typical values are at $T_A = +25^{\circ}C$.

Parameter	Symbol	Condition	Min	Typ	Max	Units
FB Voltage	V_{FB}	MPQ2013AGG, MPQ2013AGG-33, MPQ2013AGG-5, $V_{OUT}=FB, V_{IN}=6V, I_{OUT}=0$,	1.167	1.215	1.263	V
		MPQ2013AGG, MPQ2013AGG-33, MPQ2013AGG-5, $V_{OUT}=FB, V_{IN}=6V, I_{OUT}=0$, $T_A = +25^{\circ}C$	1.197	1.215	1.233	
Dropout Voltage $V_{IN}=V_{OUT(NOM)}-0.1V$	$V_{DROPOUT}$	MPQ2013AGQ, MPQ2013AGQ-5, MPQ2013AGG, MPQ2013AGG-5, $I_{OUT}=150mA, V_{OUT(NOM)}=5V$		600	1100	mV
		MPQ2013AGQ-33, $I_{OUT}=150mA, V_{OUT(NOM)}=3.3V$		700	1100	
		MPQ2013AGQ-25, $I_{OUT}=150mA, V_{OUT(NOM)}=2.5V$		700	1300	
		MPQ2013AGQ-18, $I_{OUT}=100mA, V_{OUT(NOM)}=1.8V$		700	1100	
		MPQ2013AGG-33, $I_{OUT}=150mA, V_{OUT(NOM)}=3.3V$		700	1300	
FB Pin Input Current	I_{FB}	MPQ2013A-18, MPQ2013A-25, MPQ2013A-33, MPQ2013A-5, $V_{FB}=1.3V, V_{IN}=6V, OUT$ Floating	0.88	1.3	1.72	μA
		MPQ2013A, $V_{FB}=1.3V, V_{IN}=6V, OUT$ Floating	-50	0	50	nA
Line Regulation ⁽⁶⁾		$V_{IN} = 2.5$ to $40V$, $I_{OUT} = 1mA, OUT = FB$		0.01	0.05	%/V
Load Regulation ⁽⁷⁾		MPQ2013AGQ $I_{OUT} = 100\mu A$ to $150mA, V_{IN}=3V$ to $6V$		0.005	0.012	%mA
		MPQ2013AGQ-18, $I_{OUT} = 100\mu A$ to $150mA, V_{IN}=6V$			0.020	
		MPQ2013AGQ-25, $I_{OUT} = 100\mu A$ to $150mA, V_{IN}=3.5V$ to $6V$			0.020	
		MPQ2013AGQ-33, $I_{OUT} = 100\mu A$ to $150mA, V_{IN}=4.3V$ to $6V$			0.015	
		MPQ2013AGQ-5, $I_{OUT} = 100\mu A$ to $150mA, V_{IN}=6V$			0.012	
		MPQ2013AGG $I_{OUT} = 100\mu A$ to $150mA, V_{IN}=3V$ to $6V$			0.012	
		MPQ2013AGG-33, $I_{OUT} = 100\mu A$ to $150mA, V_{IN}=4.3V$ to $6V$			0.020	
		MPQ2013AGG-5, $I_{OUT} = 100\mu A$ to $150mA, V_{IN}= 6V$			0.012	

ELECTRICAL CHARACTERISTICS (continued)

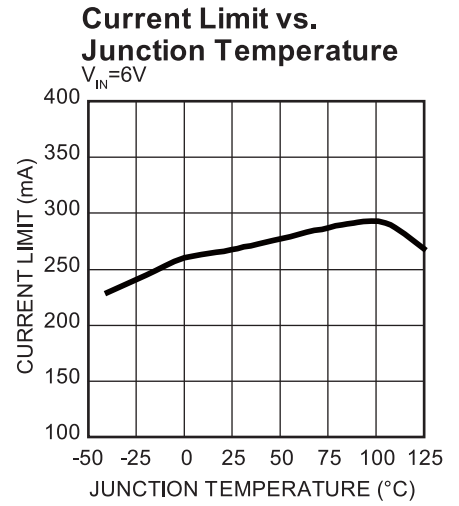
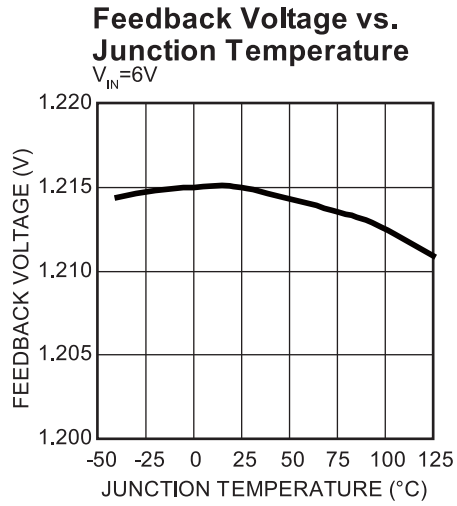
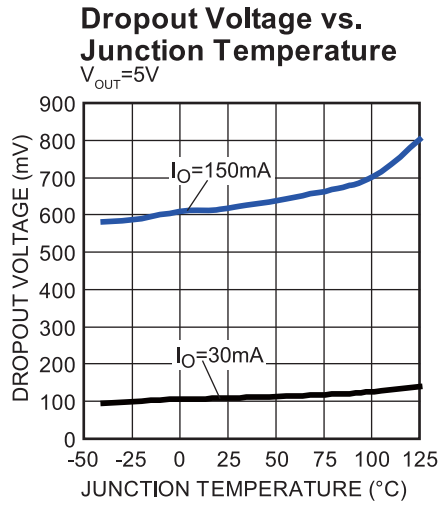
$V_{EN}=V_{IN}$, $C_{OUT} = 1\mu F$, $T_A = -40^{\circ}C$ to $+125^{\circ}C$, $T_A \leq T_J \leq +150^{\circ}C$, unless otherwise noted. Typical values are at $T_A = +25^{\circ}C$.

Parameter	Symbol	Condition	Min	Typ	Max	Units
Output Voltage PSRR ⁽⁸⁾		100Hz, $C_{IN} = 100pF$, $C_{OUT} = 4.7\mu F$ $I_{OUT}=10mA$, $V_{IN}=6V$, $V_{OUT}=5V$		58		dB
		1kHz, $C_{IN} = 100pF$, $C_{OUT} = 4.7\mu F$ $I_{OUT}=10mA$, $V_{IN}=6V$, $V_{OUT}=5V$		41		dB
		100kHz, $C_{IN} = 100pF$, $C_{OUT} = 4.7\mu F$ $I_{OUT}=10mA$, $V_{IN}=6V$, $V_{OUT}=5V$		55		dB
Startup Response Time		MPQ2013AGQ, MPQ2013AGG, $I_{OUT}=100mA$, $C_{OUT}=6.8\mu F$, $V_{OUT}=5V$			3	ms
		MPQ2013AGQ-18, $I_{OUT}=10mA$, $C_{OUT}=6.8\mu F$, $V_{OUT}=1.8V$			1.1	
		MPQ2013AGQ-25, $I_{OUT}=10mA$, $C_{OUT}=6.8\mu F$, $V_{OUT}=2.5V$			1.5	
		MPQ2013AGQ-33, MPQ2013AGG-33, $I_{OUT}=10mA$, $C_{OUT}=6.8\mu F$, $V_{OUT}=3.3V$			1.8	
		MPQ2013AGQ-5, MPQ2013AGG-5, $I_{OUT}=10mA$, $C_{OUT}=6.8\mu F$, $V_{OUT}=5V$			3	
EN Rising Threshold	EN_{TH_R}	$V_{IN}=2.5V$ to $40V$	1.32	1.48	1.64	V
EN Falling Threshold	EN_{TH_F}	$V_{IN}=2.5V$ to $40V$	1.1	1.26	1.42	V
EN Pin Input Current	I_{EN}	$V_{EN} = 0V$ or $15V$, $V_{IN}=2.5V$ to $40V$			0.1	μA
Thermal Shutdown ⁽⁸⁾	T_{SD}		150	165		$^{\circ}C$
Thermal Shutdown Hysteresis ⁽⁸⁾	ΔT_{SD}			20		$^{\circ}C$

Notes:

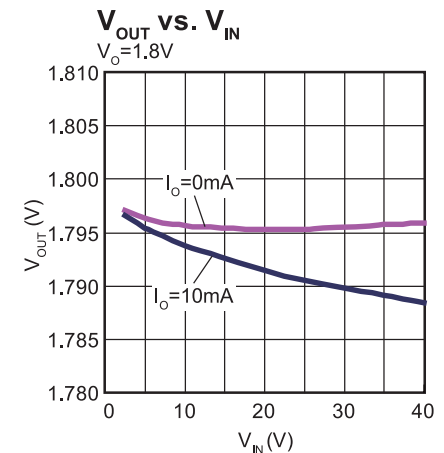
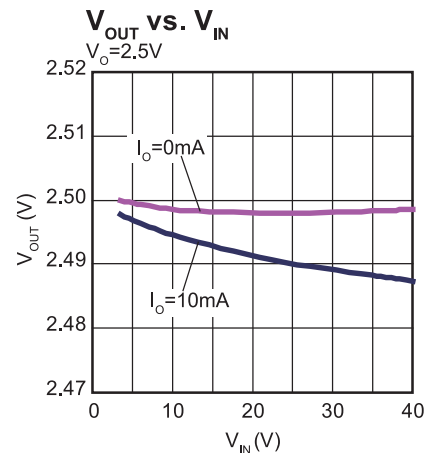
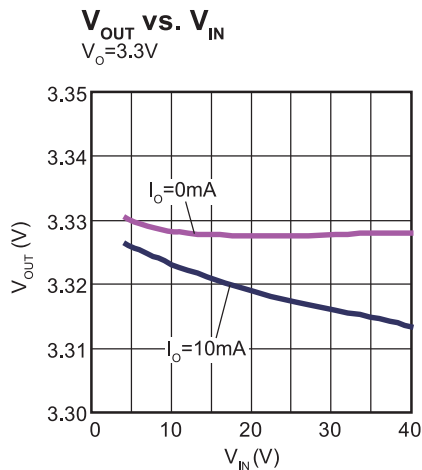
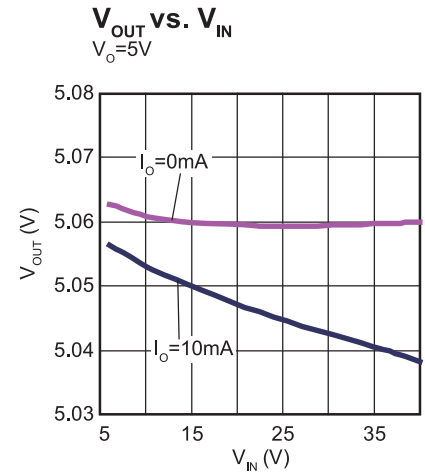
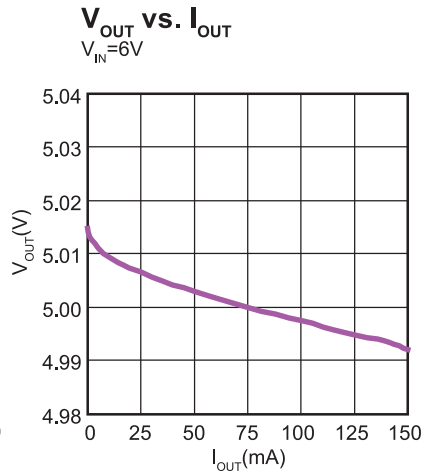
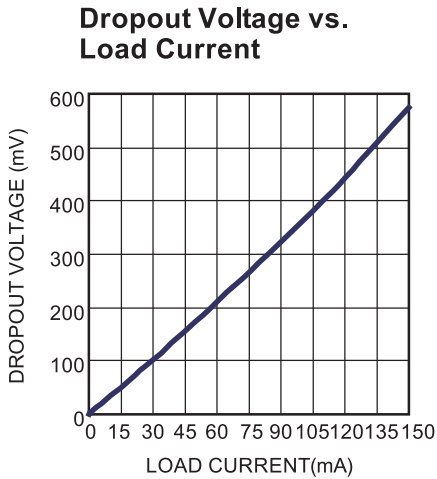
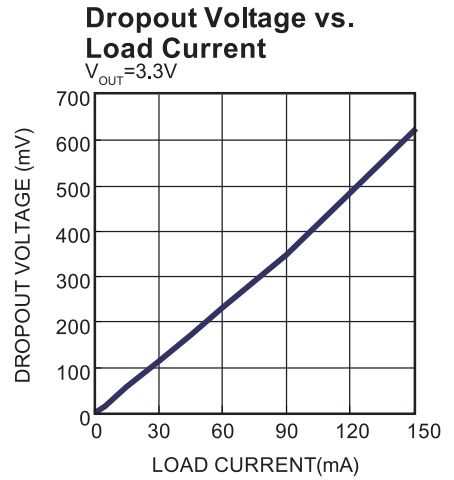
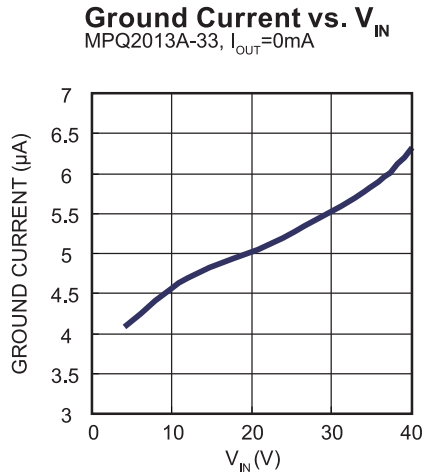
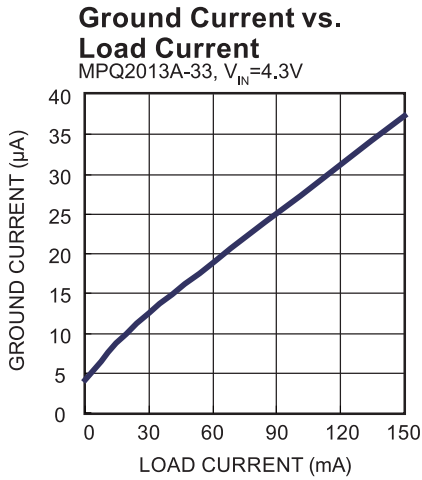
- 6) Line Regulation = $\frac{|V_{OUT[V_{IN}(MAX)]} - V_{OUT[V_{IN}(MIN)]}|}{(V_{IN(MAX)} - V_{IN(MIN)}) \times V_{OUT(NOM)}} \times (\% / V)$
- 7) Load Regulation = $\frac{|V_{OUT[I_{OUT}(MAX)]} - V_{OUT[I_{OUT}(MIN)]}|}{(I_{OUT(MAX)} - I_{OUT(MIN)}) \times V_{OUT(NOM)}} \times (\% / mA)$
- 8) Derived from bench characterization. Not tested in production.

TYPICAL CHARACTERISTICS



TYPICAL PERFORMANCE CHARACTERISTICS

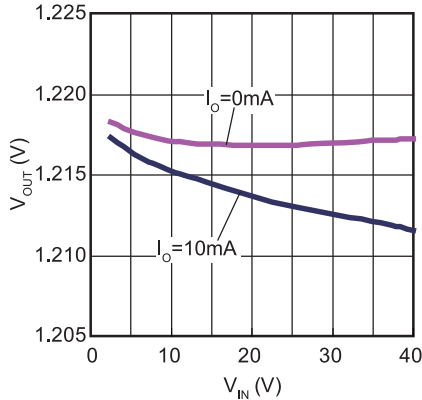
$C_{IN} = 1\mu F$, $C_{OUT} = 4.7\mu F$, $V_{OUT}=5V$, $T_A = +25^\circ C$, unless otherwise noted



TYPICAL PERFORMANCE CHARACTERISTICS (continued)

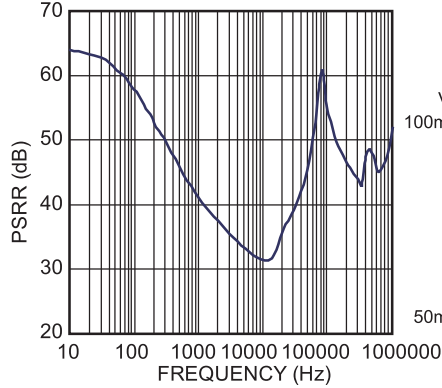
$C_{IN} = 1\mu F$, $C_{OUT} = 4.7\mu F$, $V_{OUT} = 5V$, $T_A = +25^\circ C$, unless otherwise noted

V_{OUT} vs. V_{IN}
 $V_O = 1.215V$



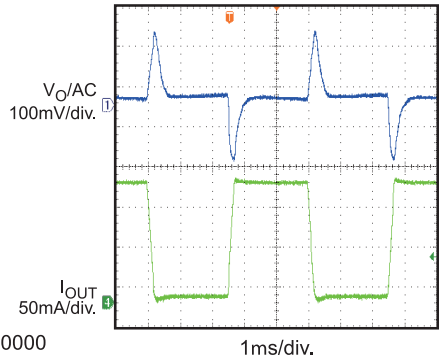
PSRR vs. Frequency

$V_{IN1} = V_{IN2} = 6V$, $I_O = 10mA$, $C_{IN} = 100pF$



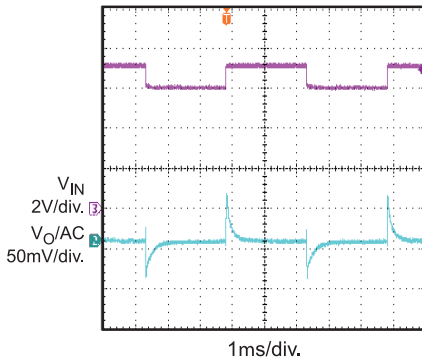
Load Transient

$V_{IN} = 12V$, $I_{OUT} = 8mA-150mA$



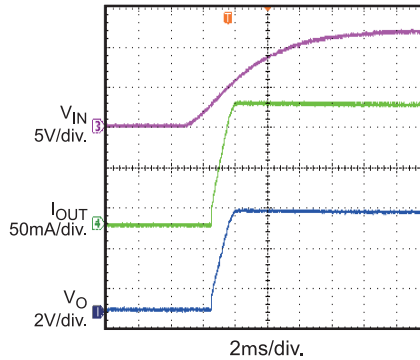
Line Transient

$V_{IN} = 6V-7V$, $I_{OUT} = 150mA$



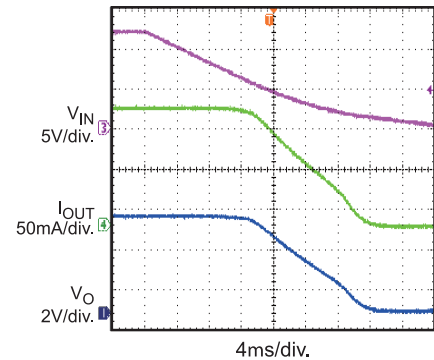
Startup Through V_{IN}

$V_{IN} = 12V$, $I_{OUT} = 150mA$



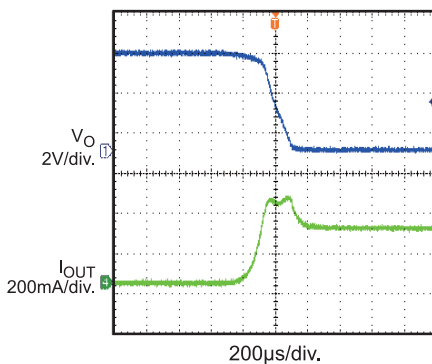
Shutdown Through V_{IN}

$V_{IN} = 12V$, $I_{OUT} = 150mA$



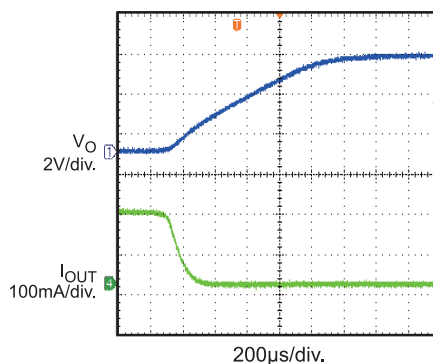
Short Circuit Entry

$V_{IN} = 12V$, $I_{OUT} = 0mA$ to short circuit



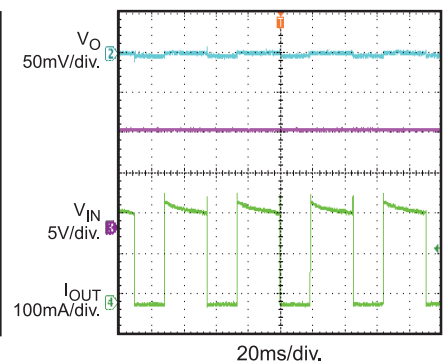
Short Circuit Recovery

$V_{IN} = 12V$, short circuit to $I_{OUT} = 0mA$



Short Circuit Steady State

$V_{IN} = 12V$



PIN FUNCTIONS

Pin # QFN6 (2x2mm)	Pin # QFN8 (3x3mm)	Name	Description
1	1	IN	Input Voltage. Connect a 2.5V to 40V supply to this pin.
2	2	EN	A logic LOW on this pin will shut down the IC; a logic HIGH will start it up. Connect this pin to IN for automatic startup.
3, exposed pad	4, exposed pad	GND	Ground (the exposed pad and GND pin must be connected to the same ground plane).
4	5	FB	Feedback input pin, regulated to 1.215V nominally. Connected to an external resistive divider between OUT and GND to set output voltage. For fixed output version, this pin can be just float.
6	8	OUT	Regulated output voltage, only low-value ceramic capacitor ($\geq 0.47\mu\text{F}$) on output is required for stability.
5	3, 6, 7	NC	No connection. May be left open or tied to Ground for improved thermal performance.

OPERATION

The MPQ2013A is a linear regulator that supplies power to systems with high voltage batteries. It includes a wide 2.5V to 40V input range, low dropout voltage and low quiescent supply current.

The MPQ2013A provides wide variety of fixed output voltage options: 1.8V, 1.9V, 2.3V, 2.5V, 3.0V, 3.3V, 3.45V, 5.0V; and also provides the output adjustable option (from 1.215V to 15V).

The output adjustable version has an output that is adjustable from 1.215V to 15V with a simple resistor divider. It uses external feedback, allowing the user to set the output voltage with an external resistor divider. The typical FB pin voltage is 1.215V.

The IC enters shutdown mode when EN is low. In shutdown mode, the pass transistor, control circuitry, reference and all biases turn off, reducing the supply current to $<3\mu\text{A}$. Connect EN pin to IN for automatic startup.

The regulator output current is internally limited and the device is protected against over-load and over-temperature conditions.

The peak output current is limited to around 270mA, which exceeds the 150mA recommended continuous output current.

When the junction temperature is too high, the thermal sensor sends a signal to the control logic that will shutdown the IC. The IC will restart when the temperature has sufficiently cooled.

The maximum power output current is a function of the package's maximum power dissipation for a given temperature.

The maximum power dissipation is dependent on the thermal resistance of the case and the circuit board, the temperature difference between the die junction and the ambient air, and the rate of air flow. The GND pin and Exposed Pad must be connected to the ground plane for proper dissipation.

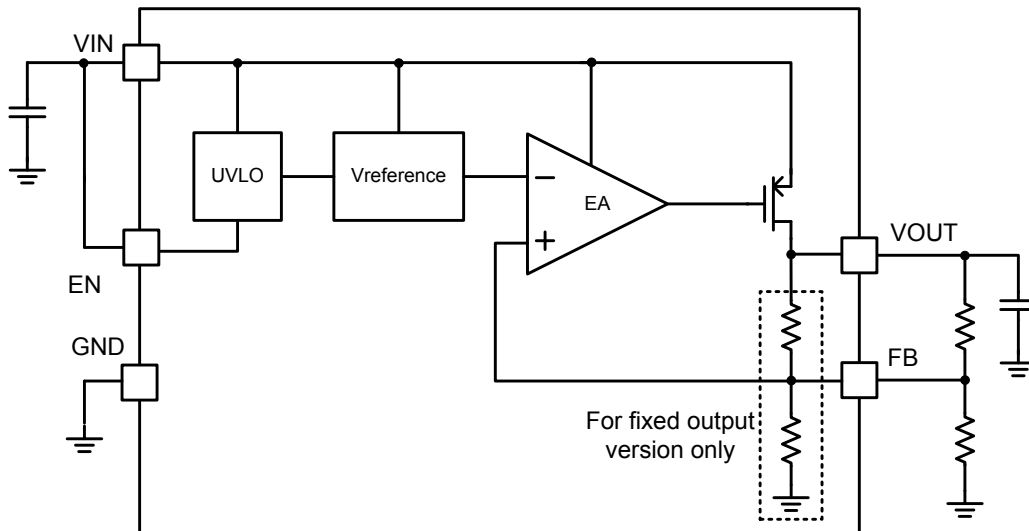


Figure 1: Functional Block Diagram

APPLICATION INFORMATION

Component Selection

Setting the Output Voltage

Set the output voltage of the MPQ2013A by using a resistor divider as shown:

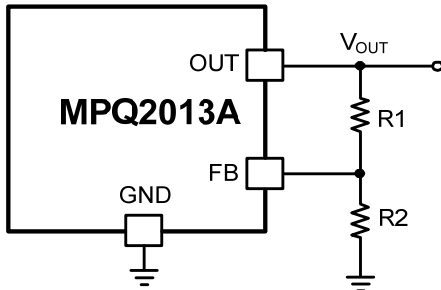


Figure 2: FB Resistor Divider to Set V_{OUT}

Choose R2=1MΩ to maintain a 1.215μA minimum load. Calculate the value for R1 using the following equation:

$$R1 = R2 \times \left(\frac{V_{OUT}}{1.215V} - 1 \right)$$

For fixed output version, V_{OUT} also can be adjusted by adding external resistor divider. Just note to take internal FB resistor divider into consideration when choose external divider.

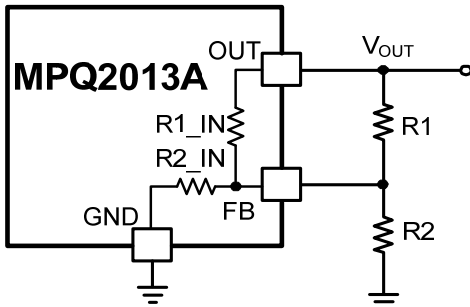


Figure 3: FB Divider of Fixed Output Version

When R2 is selected, R1 can be calculated by below equation:

$$R1 = \frac{R1_IN}{\frac{1.215 \times R1_IN \times (R2 + R2_IN)}{(V_{OUT} - 1.215) \times R2 \times R2_IN} - 1}$$

The internal FB resistor dividers for different fixed output versions please see below table.

Table 1: Internal FB Resistor Divider

Fixed Output Voltage (V)	R1_IN (MΩ)	R2_IN (MΩ)
2.5	1.058	1
3.3	1.716	1
5	3.117	1

Table 2 is an example of external FB divider to get various output voltages on fixed 3.3V output version.

Table 2 –3.3V Fixed Output Version External FB Divider

V _{OUT} (V)	R1 (kΩ)	R2 (kΩ)
11	84.5	10
8.5	61.9	10
8	57.6	10
6.5	44.2	10
5	31.6	10

Setting VIN UVLO

To prevent part from operating at an insufficient power supply voltage, a resistor divider as show in figure 3 can be used to adjust the VIN UVLO point.

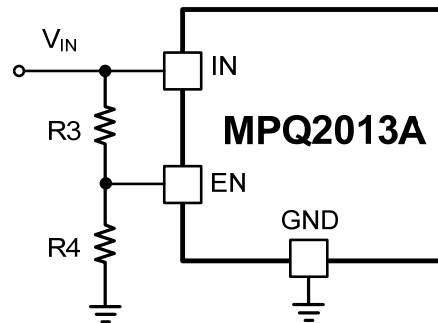


Figure 4: EN Resistor Divider to Set VIN UVLO

If choose R3 first, then R4 can be calculated by below equation:

$$R4 = R3 \times \frac{EN_{TH_L}}{V_{IN_UVLO} - EN_{TH_L}}$$

Where EN_{TH_L} is the EN falling threshold 1.26V. To limit the divider current, high value resistors are recommended. For example, if V_{IN_UVLO} is set at 4.5V, R3=2MΩ and R4=778kΩ can be used.

Input Capacitor

For proper operation, place a ceramic capacitor (C1) between $1\mu\text{F}$ and $10\mu\text{F}$ of dielectric type X5R or X7R between the input pin and ground. Larger values in this range will help improve line transient response.

Output Capacitor

For stable operation, use a ceramic capacitor (C3) of type X5R or X7R between $1\mu\text{F}$ and $10\mu\text{F}$. Larger values in this range will help improve load transient response and reduce noise. Output capacitors of other dielectric types may be used, but are not recommended as their capacitance can deviate greatly from their rated value over temperature.

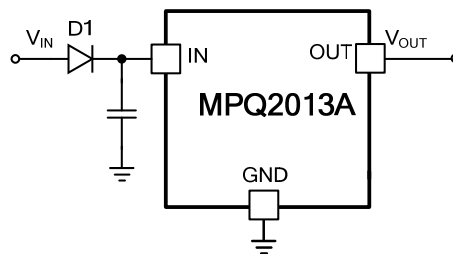
To improve load transient response, add a small ceramic (X5R, X7R or Y5V dielectric) 22nF feed forward capacitor in parallel with R1. The feed forward capacitor is not required for stable operation.

Output Noise

The MPQ2013A will exhibit noise on the output during normal operation. This noise is negligible for most applications. However, in applications that include analog-to-digital converters (ADCs) of more than 12 bits, one needs to consider the ADC's power supply rejection specifications. The feed forward capacitor C2 across R1 will significantly reduce the output noise.

External Reverse Voltage Protection

In some situations, e.g. a backup battery is connected as MPQ2013A load, the output voltage may be held up while the input is either pulled to ground, pulled to some intermediate voltage or is floating. Thus, the output voltage is higher than input voltage. Since the MPQ2013A PMOS pass element has a body diode, a current will conduct from the output to input and is not internally limited. It's possible that the IC will be damaged by this unlimited reverse current. To avoid this, it's recommended to place an external diode at input like below.

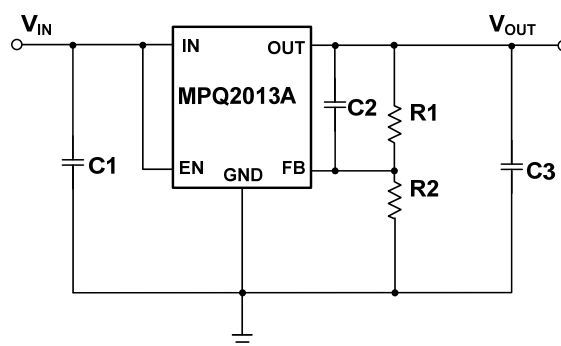


PCB Layout Guide

PCB layout is very important to achieve good regulation, ripple rejection, transient response and thermal performance. It is highly recommended to duplicate EVB layout for optimum performance.

If change is necessary, please follow these guidelines and take figure 5 for reference.

- 1) Input and output bypass ceramic capacitors are suggested to be put close to the IN Pin and OUT Pin respectively.
- 2) Ensure all feedback connections are short and direct. Place the feedback resistors and compensation components as close to the chip as possible.
- 3) Connect IN, OUT and especially GND respectively to a large copper area to cool the chip to improve thermal performance and long-term reliability.



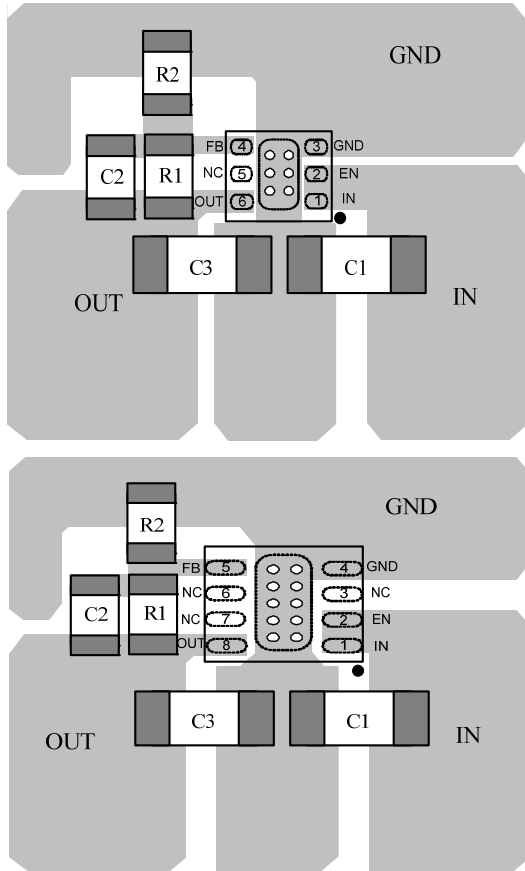


Figure 5: PCB Layout (Top Layer)

Design Example

Below is a design example following the application guidelines for $V_{OUT}=3.3V$ with feedforward cap.

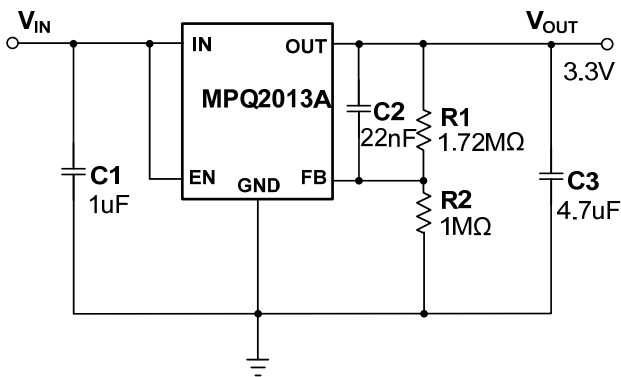


Figure 6: Design Example

TYPICAL APPLICATION CIRCUITS

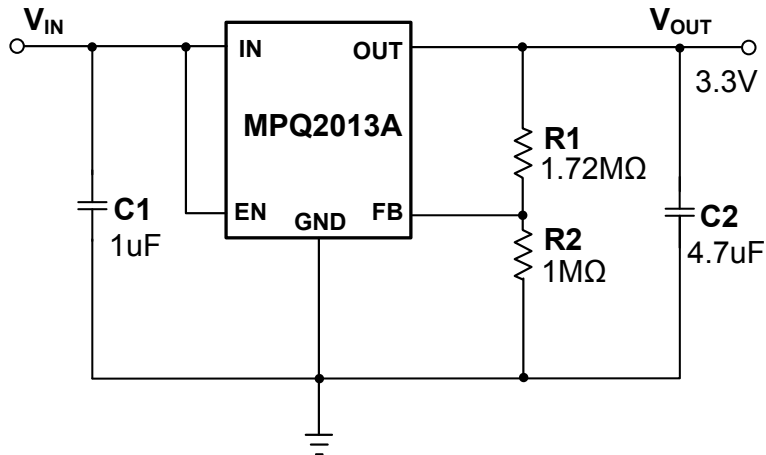


Figure 7: 3.3V Output Typical Application Circuit

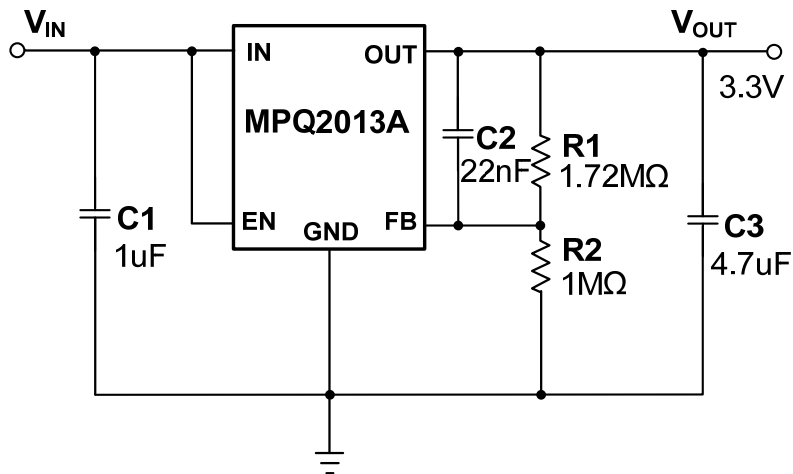


Figure 8: 3.3V Output with Feedforward Capacitor

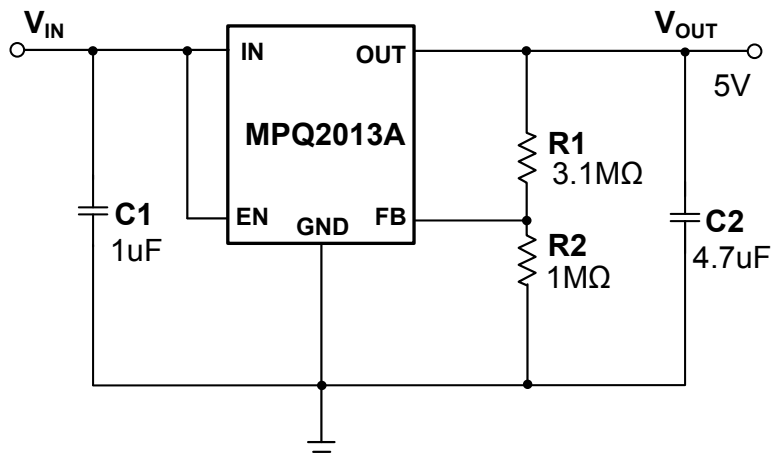
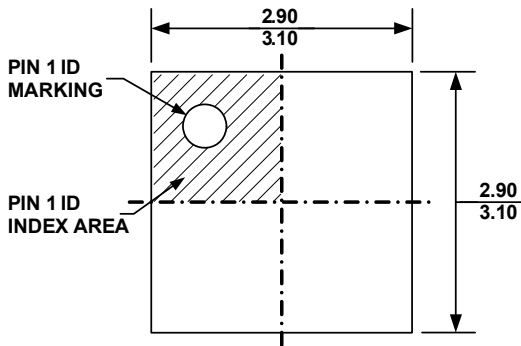


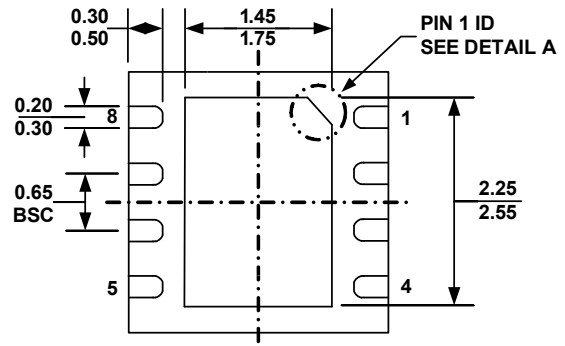
Figure 9: 5V Output Typical Application Circuit

PACKAGE INFORMATION

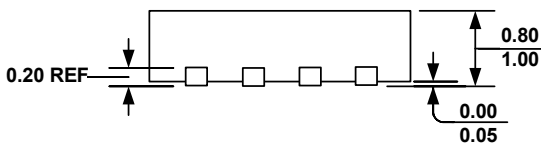
QFN-8 (3mmx3mm)



TOP VIEW



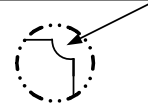
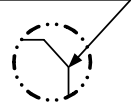
BOTTOM VIEW



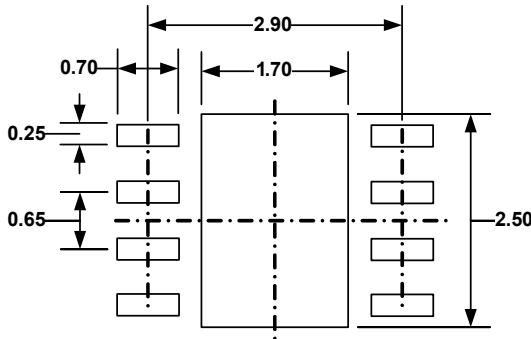
SIDE VIEW

PIN 1 ID OPTION A
0.30x45° TYP.

PIN 1 ID OPTION B
R0.20 TYP.



DETAIL A

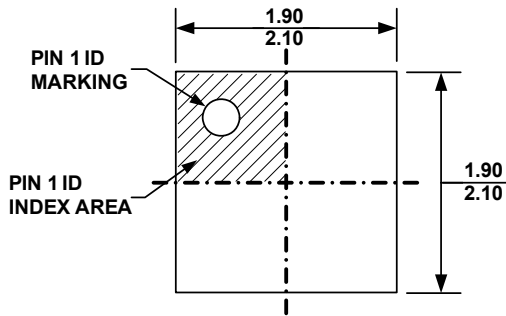


RECOMMENDED LAND PATTERN

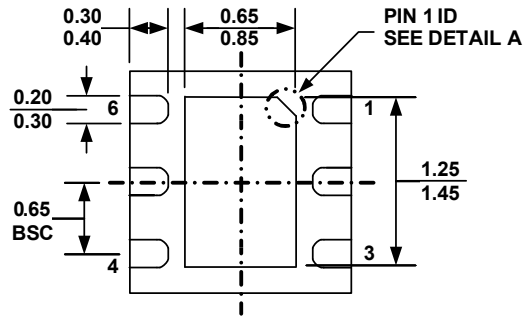
NOTE:

- 1) ALL DIMENSIONS ARE IN MILLIMETERS
- 2) EXPOSED PADDLE SIZE DOES NOT INCLUDE MOLD FLASH
- 3) LEAD COPLANARITY SHALL BE 0.10 MILLIMETER MAX
- 4) JEDEC REFERENCE IS MO-229, VARIATION VEEC-2.
- 5) DRAWING IS NOT TO SCALE

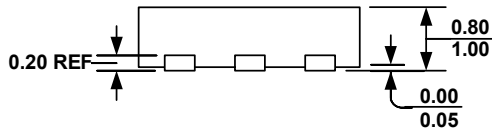
QFN-6 (2mmx2mm)



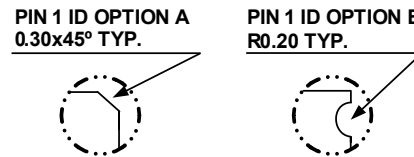
TOP VIEW



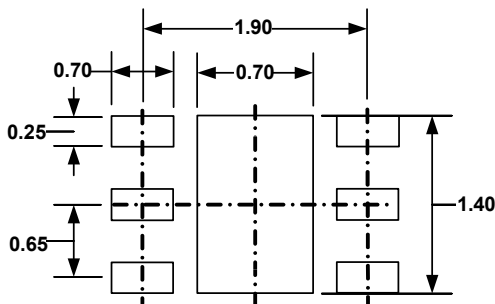
BOTTOM VIEW



SIDE VIEW



DETAIL A



RECOMMENDED LAND PATTERN

NOTE:

- 1) ALL DIMENSIONS ARE IN MILLIMETERS
- 2) EXPOSED PADDLE SIZE DOES NOT INCLUDE MOLD FLASH
- 3) LEAD COPLANARITY SHALL BE 0.10 MILLIMETER MAX
- 4) JEDEC REFERENCE IS MO-229, VARIATION VCC
- 5) DRAWING IS NOT TO SCALE

NOTICE: The information in this document is subject to change without notice. Please contact MPS for current specifications. Users should warrant and guarantee that third party Intellectual Property rights are not infringed upon when integrating MPS products into any application. MPS will not assume any legal responsibility for any said applications.

X-ON Electronics

Largest Supplier of Electrical and Electronic Components

Click to view similar products for [LDO Voltage Regulators](#) category:

Click to view products by [Monolithic Power Systems](#) manufacturer:

Other Similar products are found below :

[AP7363-SP-13](#) [L79M05TL-E](#) [PT7M8202B12TA5EX](#) [TCR3DF185,LM\(CT](#) [TCR3DF24,LM\(CT](#) [TCR3DF285,LM\(CT](#) [TCR3DF31,LM\(CT](#)
[TCR3DF45,LM\(CT](#) [MP2013GQ-33-Z](#) [059985X](#) [NCP4687DH15T1G](#) [701326R](#) [TCR2EN28,LF\(S](#) [NCV8170AXV250T2G](#)
[TCR3DF27,LM\(CT](#) [TCR3DF19,LM\(CT](#) [TCR3DF125,LM\(CT](#) [TCR2EN18,LF\(S](#) [AP2112R5A-3.3TRG1](#) [AP7315-25W5-7](#)
[IFX30081LDVGRNXUMA1](#) [NCV47411PAAJR2G](#) [AP2113KTR-G1](#) [AP2111H-1.2TRG1](#) [ZLDO1117QK50TC](#) [AZ1117IH-1.8TRG1](#)
[AZ1117ID-ADJTRG1](#) [TCR3DG12,LF](#) [MIC5514-3.3YMT-T5](#) [MIC5512-1.2YMT-T5](#) [MIC5317-2.8YM5-T5](#) [SCD7912BTG](#)
[NCP154MX180270TAG](#) [SCD33269T-5.0G](#) [NCV8170BMX330TCG](#) [NCV8170AMX120TCG](#) [NCP706ABMX300TAG](#)
[NCP153MX330180TCG](#) [NCP114BMX075TCG](#) [MC33269T-3.5G](#) [CAT6243-ADJCMT5T](#) [TCR3DG33,LF](#) [AP2127N-1.0TRG1](#)
[TCR4DG35,LF](#) [LT1117CST-3.3](#) [LT1117CST-5](#) [TAR5S15U\(TE85L,F\)](#) [TAR5S18U\(TE85L,F\)](#) [TCR3UG19A,LF](#) [TCR4DG105,LF](#)