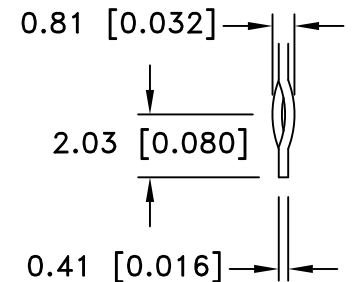
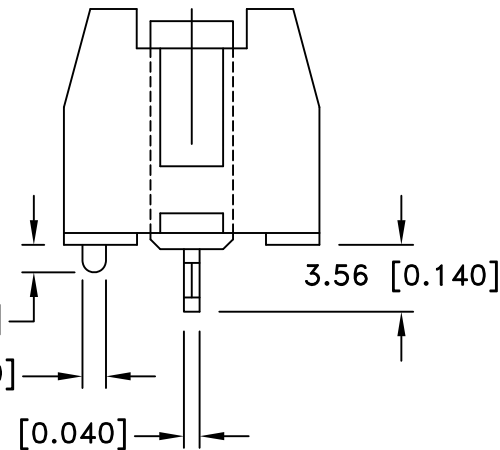
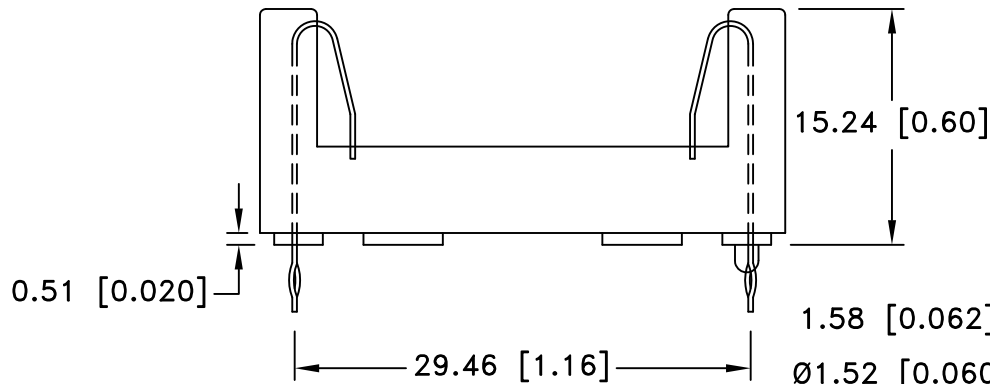
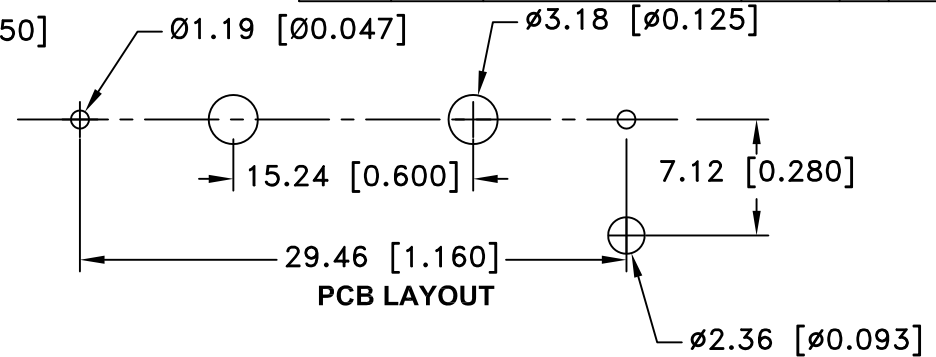


Date	SYM	REVISION RECORD	AUTH	DR.	CK.
07/15/11	D	Updated specification	T.B.	B.S.	
3/07/14	E	Removed tin dipped pcb tails	T.B.	B.S.	
7/11/14	F	Updated contact material	T.B.	B.S.	




**SPECIFICATIONS:**

HOLDER MATERIAL: BLACK PBT  
 FLAMMABILITY RATING:UL94V-0, FILE #E53829  
 CONTACTS: 301 SPRING TEMPER STAINLESS STEEL, NICKEL PLATED OVERALL  
 DIELECTRIC STRENGTH: 560 VOLTS/MIL AT 25°C FOR 5 SEC.  
 TEMPERATURE RANGE: -55°C TO +180°C  
 RESISTANCE TO SOLVENTS: XYLENE, ETHYL , BUTYL, METHYL, PROPYL ALCOHOL, ETHYL ACETATE, HEPTANE, TOLUENE, REFRIGERANT

ROHS 2 COMPLIANT

**NOTES:**

EYELET STIMPSON STYLE#A1883 0.110" OD x 0.190" FLANGE  
 FLANGE RECESS Ø0.250" x 0.125" DEEP  
 ACCEPTS STANDARD 2-56 MACHINE SCREWS

Tolerance (Except as noted)	 <b>Memory Protection Devices, Inc</b> 200 Broad Hollow Road, Farmingdale, New York 11735		
	decimal ±.5 (.020)	Scale	Drawn By B.S. Approved By T.B.
Fractional ± .8 (.030)	Title 1/2AA BATTERY HOLDER, PCB MOUNTING		
Angular ± 3°	Date 7/11/14	Drawing Number 815-0931	

## **X-ON Electronics**

Largest Supplier of Electrical and Electronic Components

*Click to view similar products for [mpd](#) manufacturer:*

Other Similar products are found below :

[AS212-L](#) [BH24AAAL](#) [BC4AAAPC](#) [ZA5075](#) [BC4AAAL](#) [AP-130](#) [BK-5021](#) [ZA5070](#) [BC3AAPC](#) [APP-004](#) [AP-133](#) [BH2/3AC](#) [413717H](#)  
[BC22AAL](#) [SBH421AS](#) [BH48DW](#) [AP-124](#) [APP-001](#) [BC-2013](#) [BC3AAAPC](#) [AP-129](#) [ZA5074-B](#) [BS4T-HD](#) [ZA5350](#) [ZA5076](#) [ABG-43](#)  
[SBH441AS](#) [ZA1060](#) [AP-131](#) [BH-20H-1T](#) [BE-2AAAA-PC](#) [BH26AAL](#) [BC2AAAL](#) [BHX1-1225-PC](#) [BH2/3A-SM](#) [BS6T](#) [BA2032](#) [BH26DL](#)  
[BH1/2AA-3](#) [ZA5036](#) [BH2DL](#) [BC12AAL](#) [BH24AAAW](#) [BK-5091](#) [BH24AASF](#) [BC3AAL](#) [BH26AASF](#) [BH9VW](#) [BK-5003](#) [AS213](#)