

BODY: PBT THERMOPLASTIC DIELECTRIC STRENGTH, IN AIR, 125 MILS 490/V-MIL
 PER ASTM D 149 FLAMMABILITY RATING, UL94V-0. UL FILE NO. E53829.

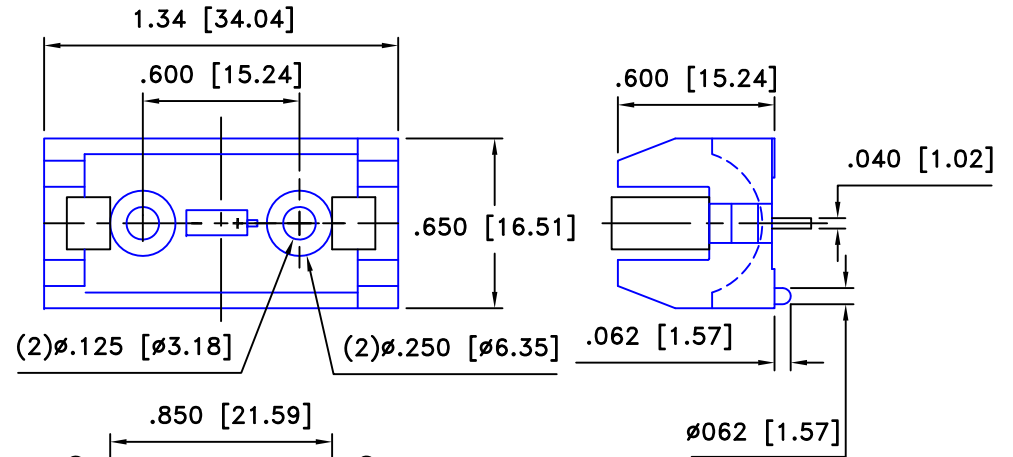
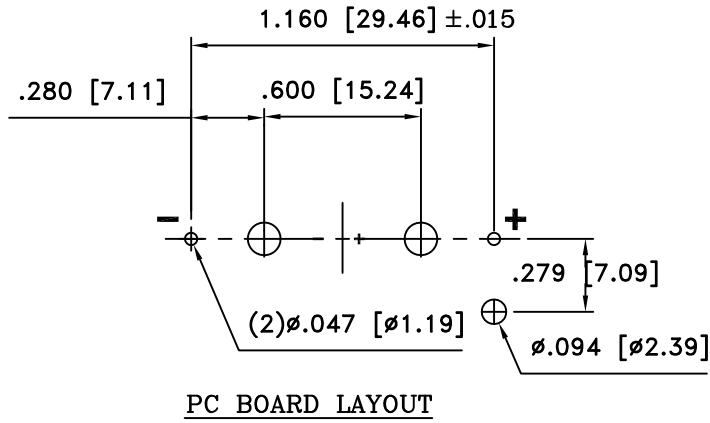
COVER: ABS RESIN R/C 100° PER ASTM D 785 VICAT SOFTENING TEMP. 90°C PER ASTM D 1525
 FLAMMABILITY RATING, UL94V-0. UL FILE NO. E56070

CONTACTS: #302 SPRING TEMPER STAINLESS STEEL, NICKEL PLATED .0005" MIN THICKNESS, OVERALL
 TYPICAL EYELET: STIMPSON # A1737 .122 O.D.x.230 FLANGE(OR EQUAL)

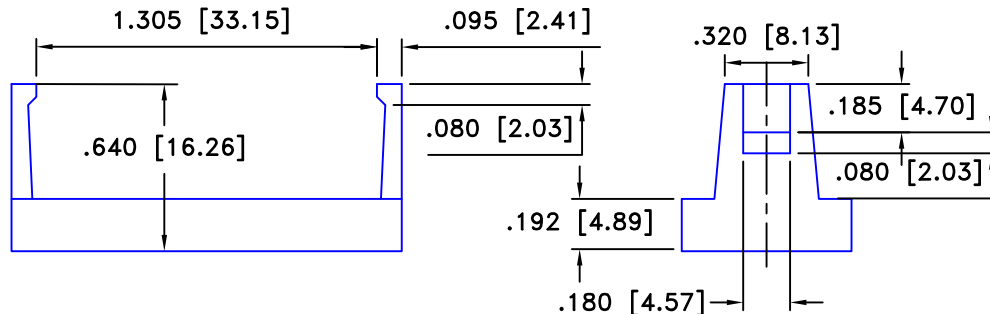
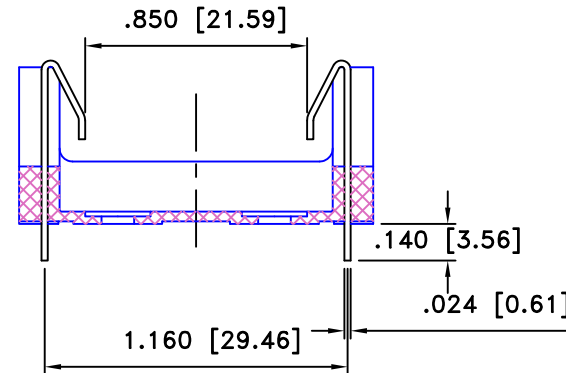
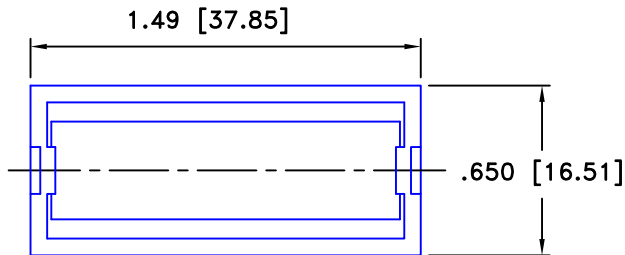
ROHS 2 COMPLIANT

Date	SYM	REVISION RECORD	AUTH	DR.	CK.
1/07/06	A	ADDED "ROHS COMPLIANT"	T.B.	B.S.	
3/14/14	B	UPDATED TO ROHS 2 COMPLIANT	T.B.	B.S.	
4/11/14	C	Dim. 1.34 was 1.36	T.B.	B.S.	

BATTERY HOLDER



COVER



Tolerance (Except as noted)	Memory Protection Devices, Inc 200 Broad Hollow Road, Farmingdale, New York 11735		
decimal ±.5 (.020)		Scale 2=1	Drawn By T.S. Approved By T.B.
Fractional ± .8 (.030)	Title 1/2 AA HOLDER, ALSO ACCEPTS 6V CELLS LIKE PX28L, 2CRL, L544, K28L (A)		
Angular ± 3°	Date 4/11/14	Drawing Number ABH1/2AA	

X-ON Electronics

Largest Supplier of Electrical and Electronic Components

Click to view similar products for [mpd](#) manufacturer:

Other Similar products are found below :

[AS212-L](#) [BH24AAAL](#) [BC4AAAPC](#) [ZA5075](#) [BC4AAAL](#) [AP-130](#) [BK-5021](#) [ZA5070](#) [BC3AAPC](#) [BH9VL](#) [AP-133](#) [BH2/3AC](#) [APP-004](#)
[413717H](#) [BC22AAL](#) [SBH421AS](#) [BH48DW](#) [AP-124](#) [APP-001](#) [BC-2013](#) [BC3AAAPC](#) [AP-129](#) [ZA5074-B](#) [BS4T-HD](#) [ZA5350](#) [ZA5076](#)
[ABG-43](#) [SBH441AS](#) [ZA1060](#) [AP-131](#) [BH-20H-1T](#) [BE-2AAAA-PC](#) [AS212](#) [BH26AAL](#) [BC2AAAL](#) [BHX1-1225-PC](#) [BH2/3A-SM](#) [BS6T](#)
[BA2032](#) [BH26DL](#) [BH1/2AA-3](#) [ZA5036](#) [BH2DL](#) [BC12AAL](#) [BH24AAAW](#) [BK-5091](#) [BH24AASF](#) [BC3AAL](#) [BH9VW](#) [BK-5003](#)