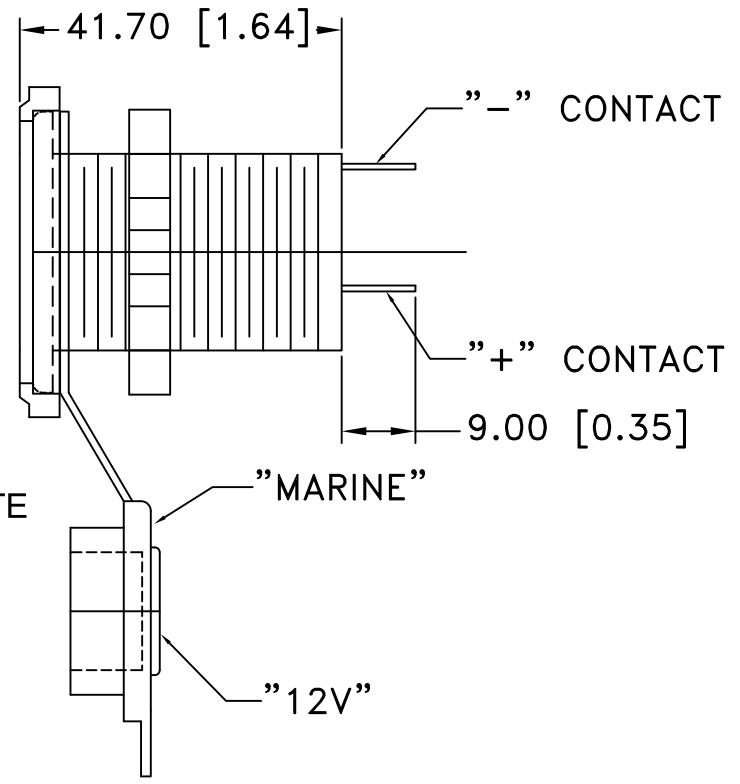
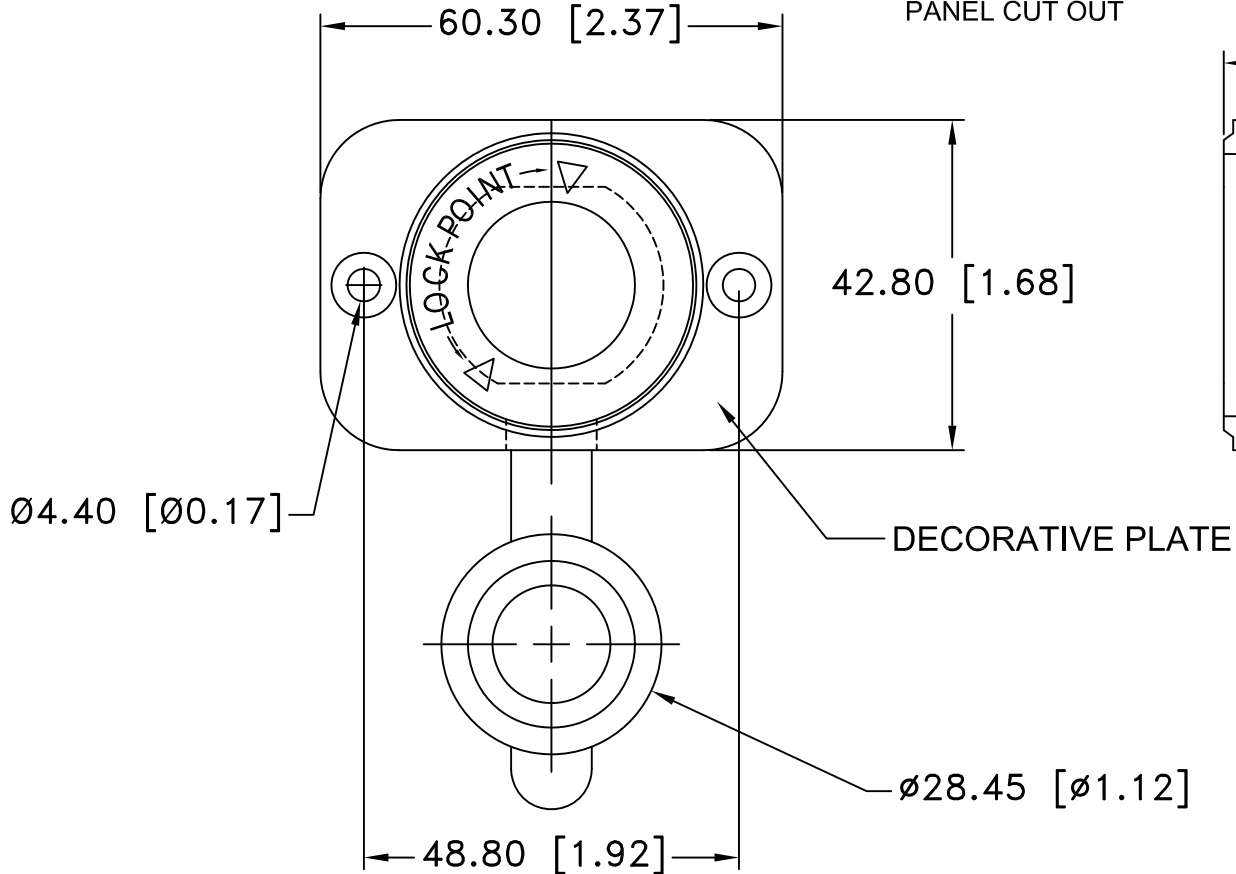
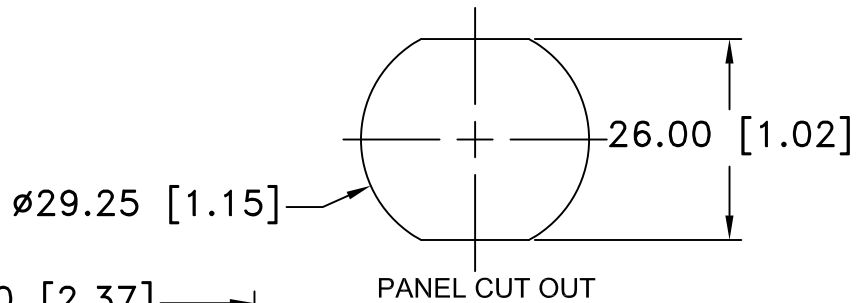



Date	SYM	REVISION RECORD	AUTH	DR.	CK.
07/08/06	F	ADDED "ROHS COMPLIANT"	T.B.	B.S.	
12/13/13	G	20 AMP WAS 15 AMP AND REVISED TITLE	T.B.	B.S.	
11/06/15	H	DIM. 41.70 WAS 41.60 DIM. 9.00 WAS 9.20 DIM. 60.30 WAS 60.00 DIM. 4.40 WAS 4.20 DIM. 48.80 WAS 48.50 DIM. 28.50 WAS 28.45	T.B.	B.S.	
11/13/15	J	ADDED UL RATING	T.B.	B.S.	



MATERIAL SPECIFICATION:
COVER: PVC
BODY: NYLON #66 WITH 30% GLASS FILLED,
UL FILE # E303072, UL94V-0
CONTACTS: BRASS, NICKEL PLATED
NUT: NYLON #66
BASE: NYLON #66
DECORATIVE PLATE: NYLON #66
RATING: 12V, 20AMP
ROHS 2 COMPLIANT

Tolerance (Except as noted)	 Memory Protection Devices, Inc 200 Broad Hollow Road, Farmingdale, New York 11735	Scale	Drawn By B.S.
			Approved By T.B.
decimal $\pm .5$ (.020)	Title 12V CIGARETTE SOCKET, 20AMP		
Fractional $\pm .8$ (.030)		Date 11/13/15	Drawing Number AS212
Angular $\pm 3^\circ$			

X-ON Electronics

Largest Supplier of Electrical and Electronic Components

Click to view similar products for [mpd](#) manufacturer:

Other Similar products are found below :

[AS212-L](#) [BH24AAAL](#) [BC4AAAPC](#) [AP-130](#) [ZA5075](#) [BC4AAAL](#) [BK-5021](#) [ZA5070](#) [BC3AAPC](#) [ZA2060](#) [APP-004](#) [AP-133](#) [BH2/3AC](#)
[413717H](#) [BC22AAL](#) [SBH421AS](#) [BH48DW](#) [AP-124](#) [APP-001](#) [BC-2013](#) [BC3AAAPC](#) [AP-129](#) [ZA5074-B](#) [BS4T-HD](#) [ZA5350](#) [ZA5076](#)
[ABG-43](#) [SBH441AS](#) [ZA1060](#) [AP-131](#) [BH-20H-1T](#) [BE-2AAAA-PC](#) [BH26AAL](#) [BC2AAAL](#) [BHX1-1225-PC](#) [BH2/3A-SM](#) [BS6T](#) [BA2032](#)
[BH26DL](#) [BH1/2AA-3](#) [ZA5036](#) [BH2DL](#) [BC12AAL](#) [BH24AAAW](#) [BK-5091](#) [BH24AASF](#) [BC3AAL](#) [BH26AASF](#) [BH9VW](#) [BK-5003](#)