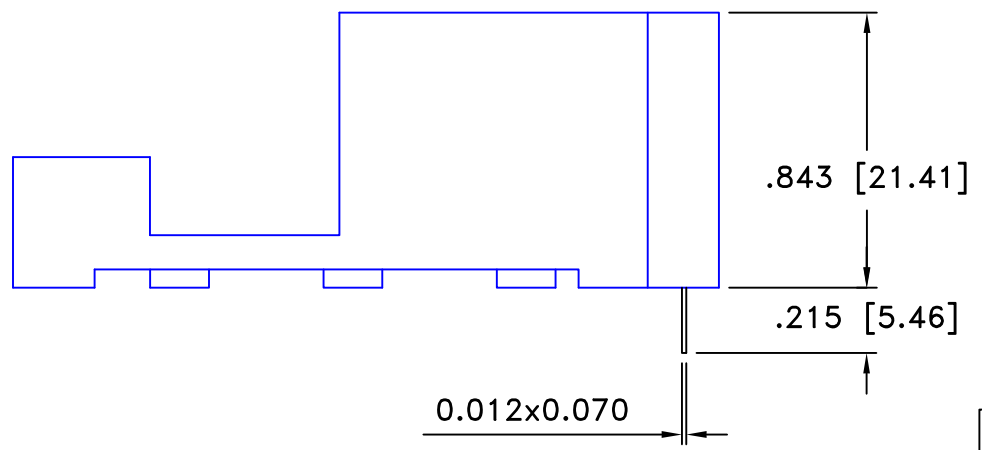
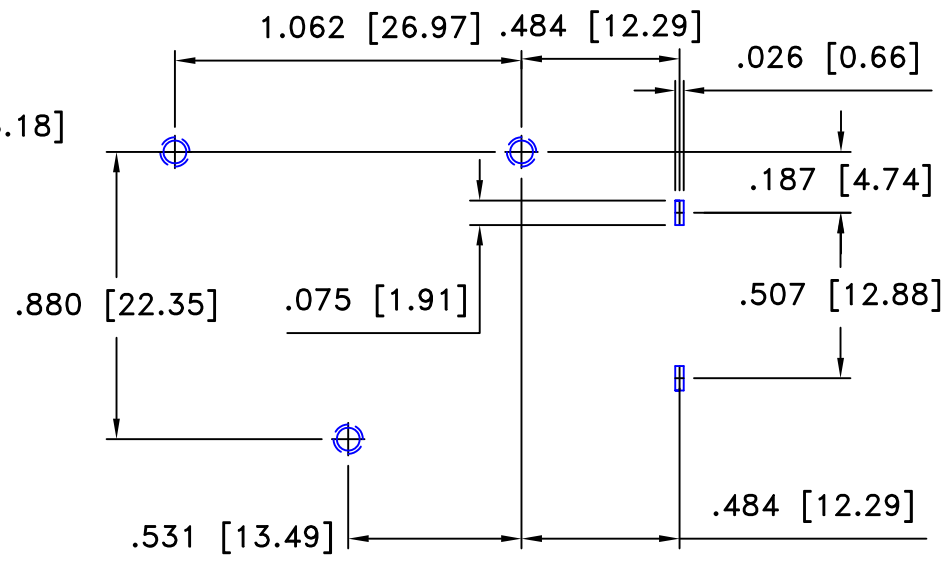
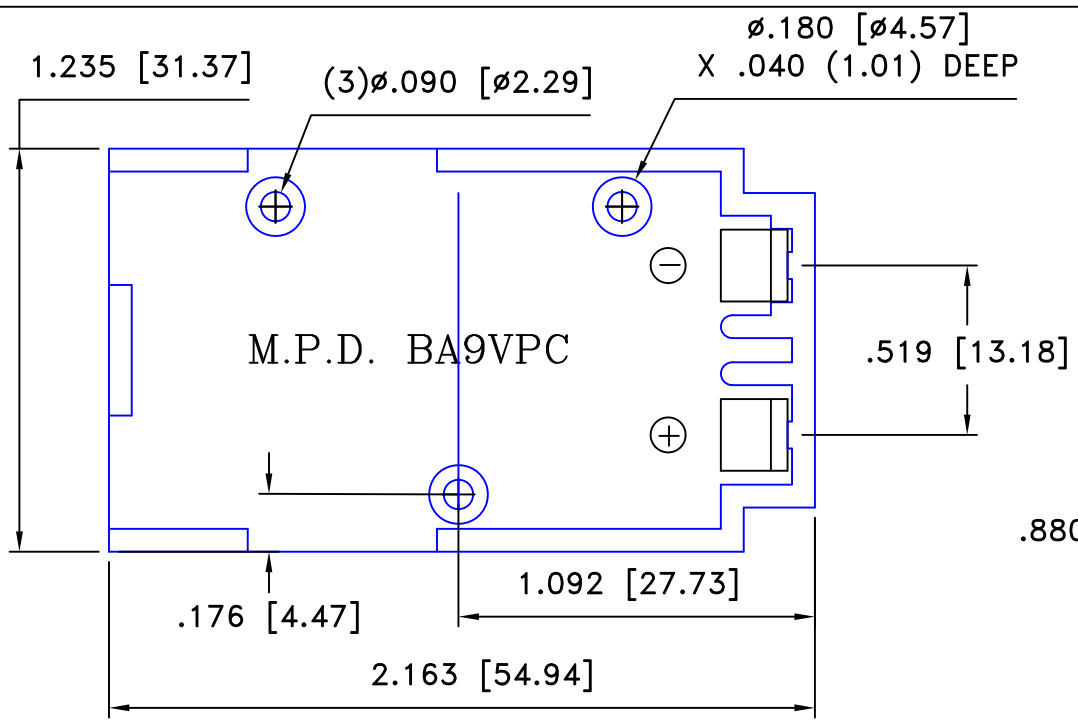


Date	SYM	REVISION RECORD	AUTH	DR.	CK.
05/01/04	C	ADDED DIM. Ø.176 AND 1.092 UPDATED CONTACT MATERIAL	T.B.	B.S.	
10/28/06	D	ADDED "ROHS COMPLIANT"	T.B.	B.S.	
06/16/17	E	REMOVED COMPONENT'S PART NUMBERS	T.B.	B.S.	




PCB LAYOUT

MOUNTING INSTRUCTION:
 USE 2-56 MACHINE SCREWS OR
 EYELETS 0.089" OD BY 0.15" FLANGE
 STIMPSON GS-3 SERIES OR EQUIVALENT
 ALSO ADHESIVES AND DOUBLE SIDED
 TAPES WORK WELL.

NOTE:
 ROHS COMPLIANT

FEATURES REVERSE POLARITY PROTECTION

Tolerance (Except as noted)	 Memory Protection Devices, Inc 200 Broad Hollow Road, Farmingdale, New York 11735		
decimal ±.5 (.020)		Scale 2=1	Drawn By T.S. Approved By T.B.
Fractional ± .8 (.030)	Title BA 9V PC ASSEMBLY		
Angular ± 3°	Date 06/16/17	Drawing Number BA9VPC	

QTY REQ'D	DESCRIPTION	MATERIAL
1	BA 9V PC HOLDER	HIGH IMPACT ABS BLACK, UL940-0 File No.E56070(S)
2	BC 9V PC LEAF CONTACT	PHOSPHOR BRONZE, .012" THICK NICKEL PLATED OVER ALL

X-ON Electronics

Largest Supplier of Electrical and Electronic Components

Click to view similar products for [mpd](#) manufacturer:

Other Similar products are found below :

[AS212-L](#) [BH24AAAL](#) [BC4AAAPC](#) [ZA5075](#) [BC4AAAL](#) [AP-130](#) [BK-5021](#) [ZA5070](#) [BC3AAPC](#) [BH9VL](#) [APP-004](#) [AP-133](#) [BH2/3AC](#)
[413717H](#) [BC22AAL](#) [SBH421AS](#) [BH48DW](#) [AP-124](#) [APP-001](#) [BC-2013](#) [BC3AAAPC](#) [AP-129](#) [ZA5074-B](#) [BS4T-HD](#) [ZA5350](#) [ZA5076](#)
[ABG-43](#) [SBH441AS](#) [ZA1060](#) [AP-131](#) [BH-20H-1T](#) [BE-2AAAA-PC](#) [AS212](#) [BH26AAL](#) [BC2AAAL](#) [BHX1-1225-PC](#) [BH2/3A-SM](#) [BS6T](#)
[BA2032](#) [BH26DL](#) [BH1/2AA-3](#) [ZA5036](#) [BH2DL](#) [BC12AAL](#) [BH24AAAW](#) [BK-5091](#) [BH24AASF](#) [BC3AAL](#) [BH9VW](#) [BK-5003](#)