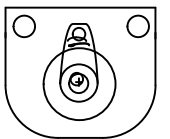
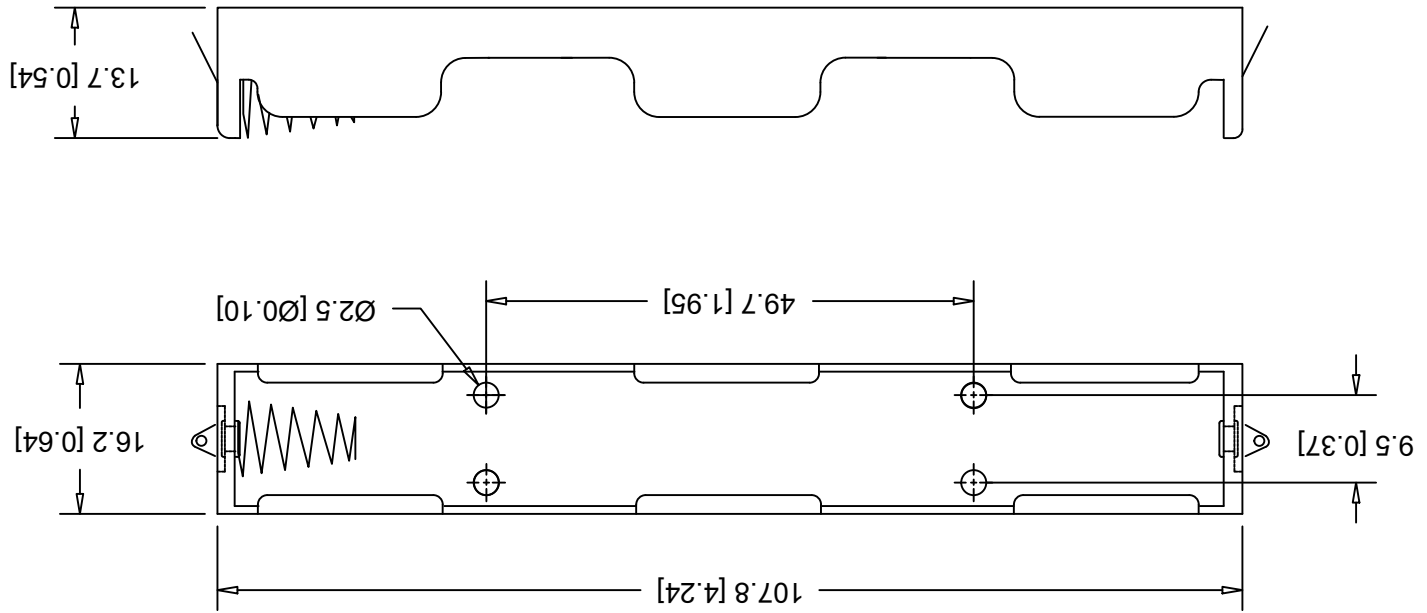


SPECIFICATIONS:

Plastic material - polypropylene, PP-1040
 Flammability rating-UL94 HB, UL file no. E216959
 Temperature Range: -10°C to +100°C
 Springs - nickel plated steel spring
 Rivets - Brass, nickel plated
 Lugs - Brass, nickel plated
 Contact resistance: Under 50mΩ for +/- contacts per EIA-540J000
 ROHS COMPLIANT

Angular ± 3°		Date 03/07/19	Drawing Number BC12AAL	
Fractional ± .8 (.030)		Title TWO "AA" CELL HOLDER WITH SOLDER LUGS		
decimal ±.5 (.020)	Tolerance (Except as noted)		200 Broad Hollow Road, Farmingdale, New York 11735	
			Scale	Approved By T.B.
		Drawn By B.S.		
Memory Protection Devices, Inc		MPD		



Date	SYM	REVISION RECORD	AUTH	DR. CK.
3/24/07	A	DIM. 107.8 WAS 107.9 DIM. 9.5 WAS 8.89 DIM. 50.2 WAS 49.5	T.B.	B.S.
2/22/13	B	DIM. 16.00 WAS 16.20 DIM. 108.0 WAS 107.8 UPDATED TO ROHS 2 COMPLIANT	T.B.	B.S.
04/21/17	C	DIM. 49.7 WAS 50.2 UPDATED TO "ROHS COMPLIANT"	T.B.	B.S.
03/07/19	D	UPDATED TO "ROHS COMPLIANT"	T.B.	B.S.

X-ON Electronics

Largest Supplier of Electrical and Electronic Components

Click to view similar products for [mpd](#) manufacturer:

Other Similar products are found below :

[AS212-L](#) [BH24AAAL](#) [BC4AAAPC](#) [ZA5075](#) [BC4AAAL](#) [AP-130](#) [BK-5021](#) [ZA5070](#) [BC3AAPC](#) [BH9VL](#) [APP-004](#) [AP-133](#) [BH2/3AC](#)
[413717H](#) [BC22AAL](#) [SBH421AS](#) [BH48DW](#) [AP-124](#) [APP-001](#) [BC-2013](#) [BC3AAAPC](#) [AP-129](#) [ZA5074-B](#) [BS4T-HD](#) [ZA5350](#) [ZA5076](#)
[ABG-43](#) [SBH441AS](#) [ZA1060](#) [AP-131](#) [BH-20H-1T](#) [BE-2AAAA-PC](#) [AS212](#) [BH26AAL](#) [BC2AAAL](#) [BHX1-1225-PC](#) [BH2/3A-SM](#) [BS6T](#)
[BA2032](#) [BH26DL](#) [BH1/2AA-3](#) [ZA5036](#) [BH2DL](#) [BC12AAL](#) [BH24AAAW](#) [BK-5091](#) [BH24AASF](#) [BC3AAL](#) [BH9VW](#) [BK-5003](#)