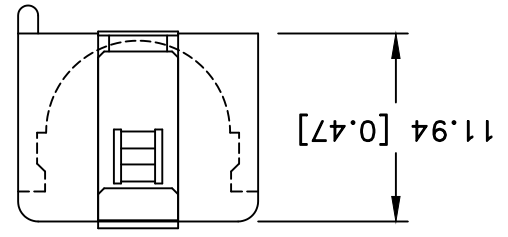
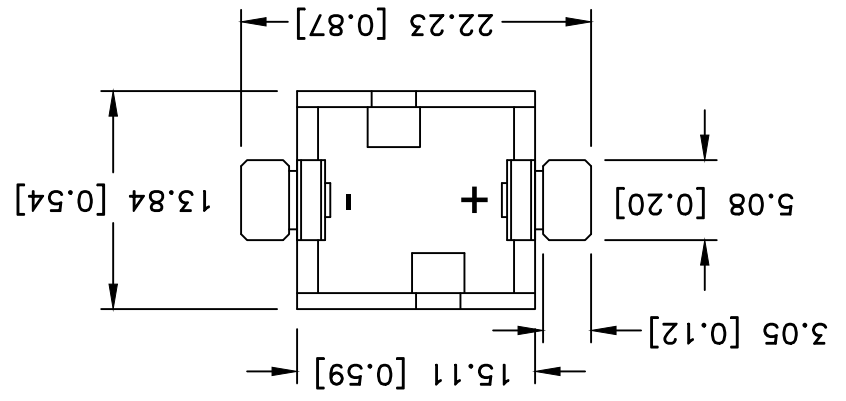
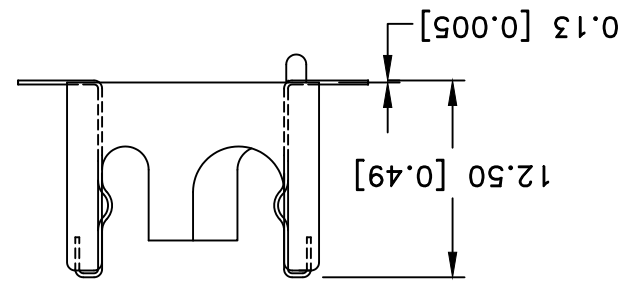
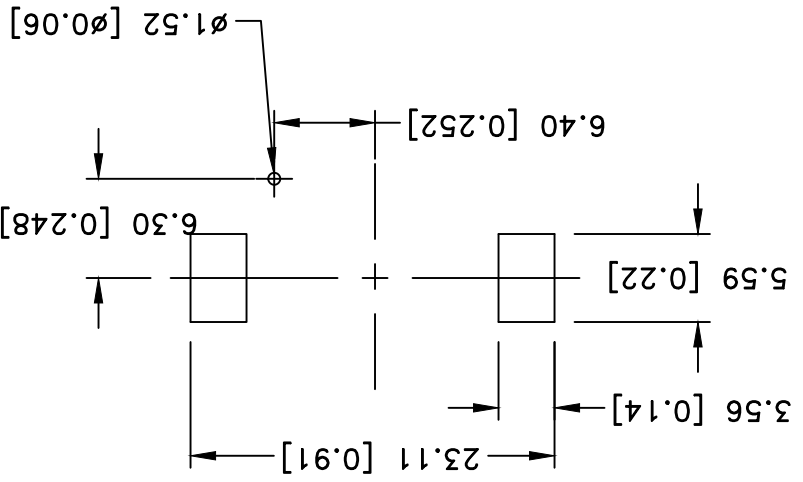


ROHS COMPLIANT

- SPECIFICATIONS:
- HOLDER MATERIAL: NYLON 46, 30% GLASS REINFORCED
 - FLAMMABILITY RATING: UL94-HB, FILE #E47960
 - CONTACTS: PHOSPHOR BRONZE, GOLD FLASH 1u-3u
 - TEMPERATURE RANGE: -40°C TO +270°C
 - * VIBRATION TEST: 10-50-10 HZ SWEEPED IN 60 SECONDS
 - X,Y,Z DIRECTION: 1 HOUR EACH DIRECTION
 - * RESULT: NO DISLPGEMENT OF THE CELL OR DAMAGE
 - NO DISCONTINUITY OVER 10 MICRO-SECONDS
 - * SHOCK TEST: HALF SINE WAVE ACCELERATION 150G, 6 MICRO-SECONDS
 - 3 SHOCK PULSES EACH DIRECTION PER AXIS, TOTAL OF 18 PULSES
 - * RESULT: NO EVIDENCE OF PHYSICAL DAMAGE
 - * DROP TEST: DROPPED FROM 1M HIGH TO CONCRETE FLOOR
 - * RESULT: NO EVIDENCE OF PHYSICAL DAMAGE



PCB LAYOUT



| | |
|------------|-------------------|
| Angular | ± 3° |
| Fractional | ± .8 (.030) |
| decimal | ±.5 (.020) |
| Tolerance | (Except as noted) |



Memory Protection Devices, Inc
200 Broad Hollow Road, Farmingdale, New York 11735

| | | |
|-------|---------------|------------------|
| Scale | Drawn By B.S. | Approved By T.B. |
|-------|---------------|------------------|

| | | | |
|-------|---|----------------|-------------|
| Date | 03/06/19 | Drawing Number | BC1/3N-C-SM |
| Title | BC1/3N-C, CR1/3N LITHIUM BATTERY HOLDER | | |

| Date | SYM | REVISION RECORD | AUTH | DR. CK. |
|---------|-----|-----------------------------|------|---------|
| 3/06/19 | E | UPDATED TO "ROHS COMPLIANT" | T.B. | B.S. |
| | | | | |
| | | | | |
| | | | | |

X-ON Electronics

Largest Supplier of Electrical and Electronic Components

Click to view similar products for [mpd](#) manufacturer:

Other Similar products are found below :

[AS212-L](#) [BH24AAAL](#) [BC4AAAPC](#) [ZA5075](#) [BC4AAAL](#) [AP-130](#) [BK-5021](#) [ZA5070](#) [BC3AAPC](#) [BH9VL](#) [APP-004](#) [AP-133](#) [BH2/3AC](#)
[413717H](#) [BC22AAL](#) [SBH421AS](#) [BH48DW](#) [AP-124](#) [APP-001](#) [BC-2013](#) [BC3AAAPC](#) [AP-129](#) [ZA5074-B](#) [BS4T-HD](#) [ZA5350](#) [ZA5076](#)
[ABG-43](#) [SBH441AS](#) [ZA1060](#) [AP-131](#) [BH-20H-1T](#) [BE-2AAAA-PC](#) [AS212](#) [BH26AAL](#) [BC2AAAL](#) [BHX1-1225-PC](#) [BH2/3A-SM](#) [BS6T](#)
[BA2032](#) [BH26DL](#) [BH1/2AA-3](#) [ZA5036](#) [BH2DL](#) [BC12AAL](#) [BH24AAAW](#) [BK-5091](#) [BH24AASF](#) [BC3AAL](#) [BH9VW](#) [BK-5003](#)