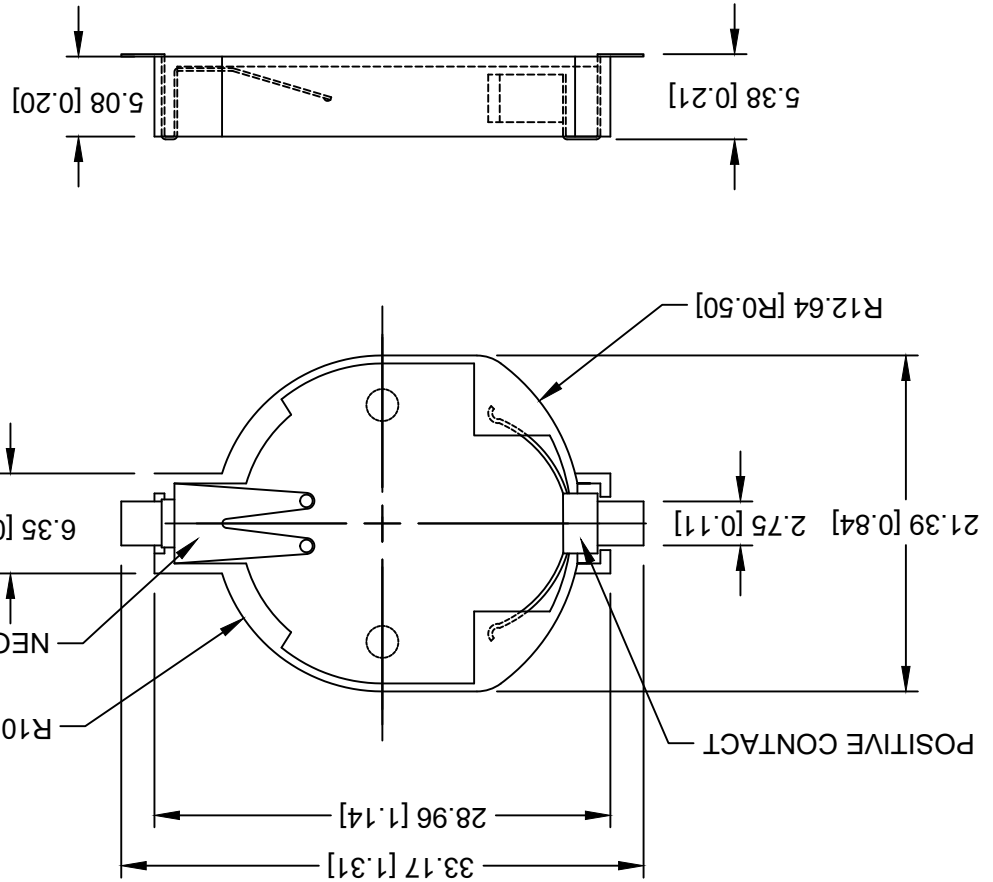


**SPECIFICATIONS:**

- \* Holder material- LCP, 30% Glass Filled, UL94V-0, Color: Off White
- Temperature range: -40°C to +240°C,
- \* Contacts : Stainless Steel 301, spring temper, Nickel Plated,
- \* Vibration test: 10-50-10 hz swept in 60 seconds
- x,y,z direction: 1 hour each direction
- \* Result: no dislodgement of the cell or damage
- \* Shock test: half sine wave acceleration 150g.
- total of 18 pulses
- 6 ms 3 shock pulses each direction per axis,
- \* Result: no evidence of physical damage
- \* Drop Test: Mounted on board and dropped 5 times from 1m high to concrete floor
- \* Result: No dislodgement of the cell, No damage to the holders

\* ROHS COMPLIANT



Tolerance (Except as noted)	decimal ±.5 (.020)	Fractional ±.8 (.030)	Angular ± 3°
--------------------------------	-----------------------	--------------------------	-----------------

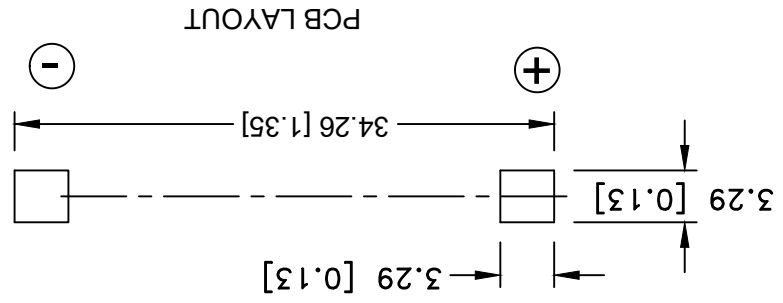


Memory Protection Devices, Inc  
200 Broad Hollow Road, Farmingdale, New York 11735

Scale	Drawn By B.S.	Approved By T.B.
-------	---------------	------------------

Date 10/07/19	Title CR2032 BATTERY HOLDER, SURFACE MOUNT	Drawing Number BC2032-F1
------------------	---	-----------------------------

Weight: 1.20 g.



Date	SYM	REVISION RECORD	AUTH	DR.	CK.
12/02/16	F	MATERIAL COLOR CHANGED FROM BLACK TO OFF WHITE	T.B.	B.S.	
03/26/19	G	UPDATED TO "ROHS COMPLIANT"	T.B.	B.S.	
10/07/19	H	ADDED WEIGHT OF THE PART	T.B.	B.S.	

## **X-ON Electronics**

Largest Supplier of Electrical and Electronic Components

*Click to view similar products for [mpd](#) manufacturer:*

Other Similar products are found below :

[AS212-L](#) [BH24AAAL](#) [BC4AAAPC](#) [ZA5075](#) [BC4AAAL](#) [AP-130](#) [BK-5021](#) [ZA5070](#) [BC3AAPC](#) [BH9VL](#) [APP-004](#) [AP-133](#) [BH2/3AC](#)  
[413717H](#) [BC22AAL](#) [SBH421AS](#) [BH48DW](#) [AP-124](#) [APP-001](#) [BC-2013](#) [BC3AAAPC](#) [AP-129](#) [ZA5074-B](#) [BS4T-HD](#) [ZA5350](#) [ZA5076](#)  
[ABG-43](#) [SBH441AS](#) [ZA1060](#) [AP-131](#) [BH-20H-1T](#) [BE-2AAAA-PC](#) [AS212](#) [BH26AAL](#) [BC2AAAL](#) [BHX1-1225-PC](#) [BH2/3A-SM](#) [BS6T](#)  
[BA2032](#) [BH26DL](#) [BH1/2AA-3](#) [ZA5036](#) [BH2DL](#) [BC12AAL](#) [BH24AAAW](#) [BK-5091](#) [BH24AASF](#) [BC3AAL](#) [BH9VW](#) [BK-5003](#)