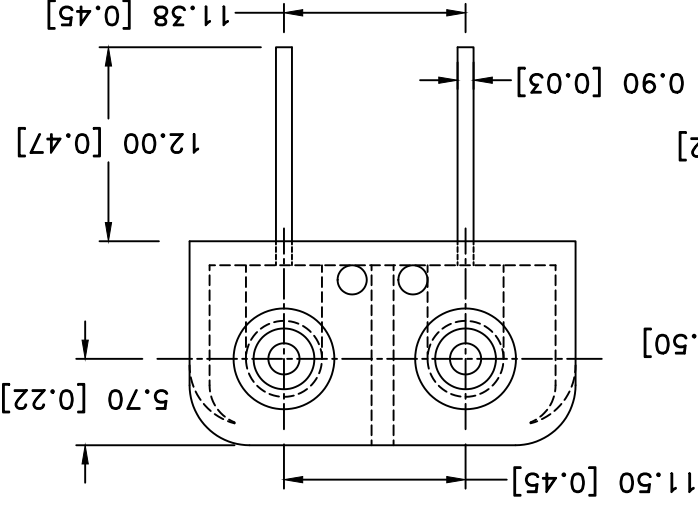
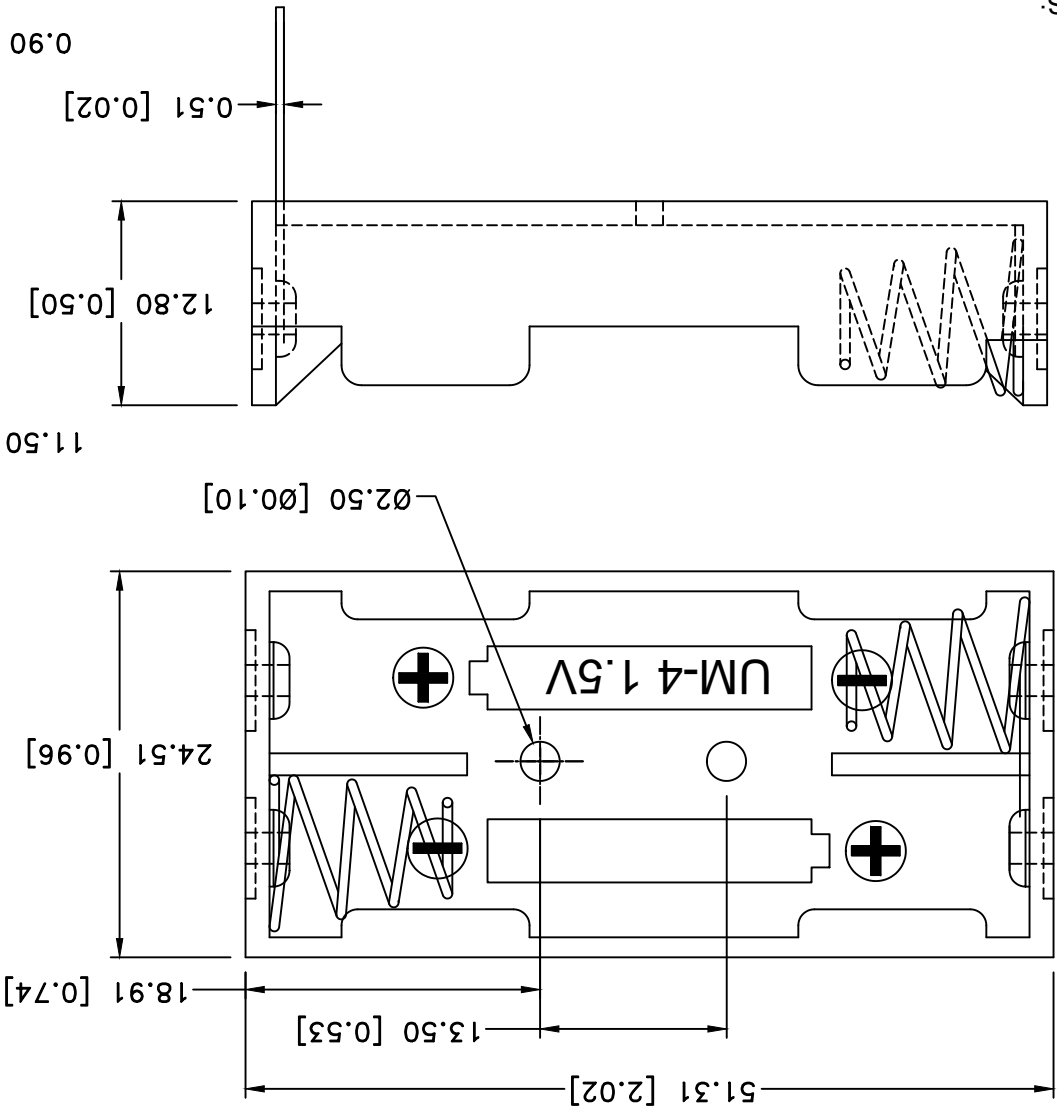
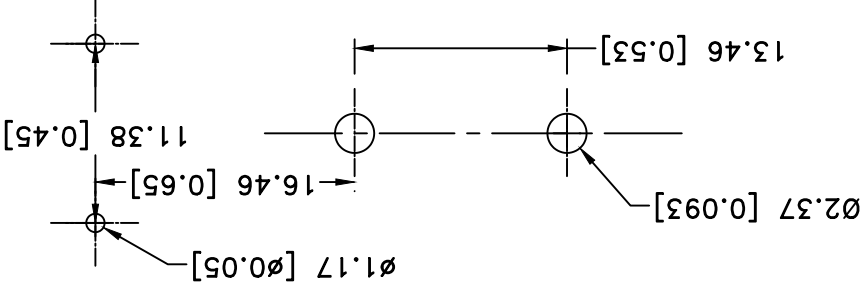


ROHS COMPLIANT  
 EIA-540J000  
 CONTACT RESISTANCE: UNDER 50mΩ FOR +/- CONTACTS PER  
 CONTACTS: SPRING STEEL, NICKEL PLATED.  
 PC PINS: BRASS, NICKEL PLATED.  
 SPRING: SPRING STEEL, NICKEL PLATED.  
 RIVETS: BRASS, NICKEL PLATED.  
 TEMPERATURE RANGE: -10°C to +100°C  
 FLAMMABILITY RATING -UL94-HB, UL FILE NO. E216959  
 HOUSING : BLACK POLYPROPYLENE

NOTES:  
 1. MATERIAL:



PCB LAYOUT



Date	SYM	REVISION RECORD	AUTH	DR. CK.
06/02/17	J	DIM. 12.80 WAS 13.00 DIM. 13.60 WAS 14.22 DIM. 24.20 WAS 24.40 DIM. 0.90 WAS 1.02	T.B.	B.S.
07/17/17	K	DIM. 51.31 WAS 51.40 DIM. 13.50 WAS 13.60 DIM. 24.51 WAS 24.20 DIM. 18.91 WAS 18.29 DIM. 5.70 WAS 5.49	T.B.	B.S.
03/06/19	L	UPDATED TO "ROHS COMPLIANT"	T.B.	B.S.

Tolerance (Except as noted)	Angular ± 3°
decimal ±.5 (.020)	Fractional ± .8 (.030)

Memory Protection Devices, Inc 200 Broad Hollow Road, Farmingdale, New York 11735		Date 03/06/19	
Scale		Title TWO "AAA" CELL HOLDER WITH PC PINS	
Drawn By B.S.		Drawing Number BC2AAAPC	
Approved By T.B.			

## **X-ON Electronics**

Largest Supplier of Electrical and Electronic Components

*Click to view similar products for [mpd](#) manufacturer:*

Other Similar products are found below :

[AS212-L](#) [BH24AAAL](#) [BC4AAAPC](#) [ZA5075](#) [BC4AAAL](#) [AP-130](#) [BK-5021](#) [ZA5070](#) [BC3AAPC](#) [BH9VL](#) [APP-004](#) [AP-133](#) [BH2/3AC](#)  
[413717H](#) [BC22AAL](#) [SBH421AS](#) [BH48DW](#) [AP-124](#) [APP-001](#) [BC-2013](#) [BC3AAAPC](#) [AP-129](#) [ZA5074-B](#) [BS4T-HD](#) [ZA5350](#) [ZA5076](#)  
[ABG-43](#) [SBH441AS](#) [ZA1060](#) [AP-131](#) [BH-20H-1T](#) [BE-2AAAA-PC](#) [AS212](#) [BH26AAL](#) [BC2AAAL](#) [BHX1-1225-PC](#) [BH2/3A-SM](#) [BS6T](#)  
[BA2032](#) [BH26DL](#) [BH1/2AA-3](#) [ZA5036](#) [BH2DL](#) [BC12AAL](#) [BH24AAAW](#) [BK-5091](#) [BH24AASF](#) [BC3AAL](#) [BH9VW](#) [BK-5003](#)